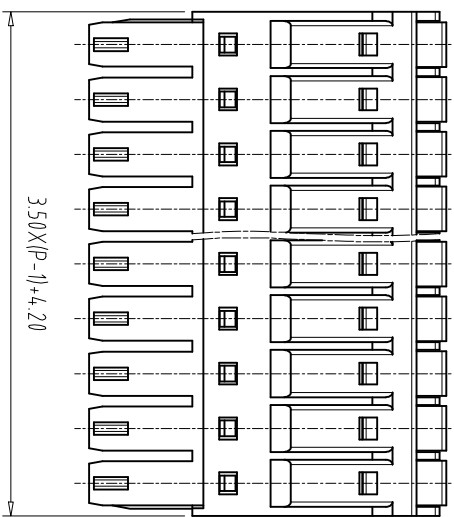
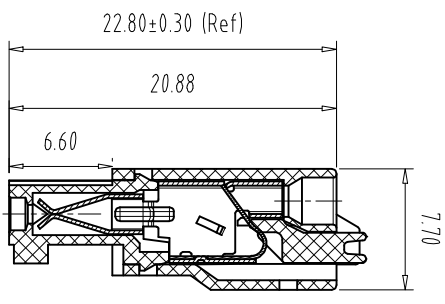
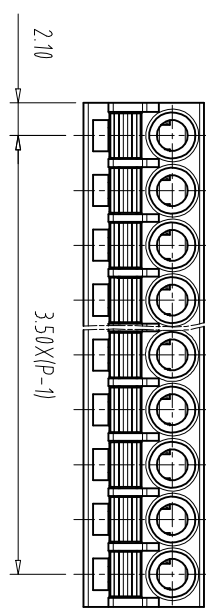


注：本板为禁止运输、复制、编辑文件，以及用其内容进行交流



REV	ECN NO.	CONTENT	CHK	DATE

NOTES1:

1. Use group	B	C	D
Rated Current	8A	/	8A
Rated Voltage	300V	/	300V

2. withstanding voltage: AC1600V/1Min

3. Wire range: 24~16AWG

UL Standard

IEC Standard	1. Pollution Degree	2. 3	2. 2	2. 2
Overvoltage Category	III	III	II	II
Rate Impulse Voltage(KV)	2.5KV	2.5KV	2.5KV	2.5KV
Rate Voltage(V)	160V	160V	320V	320V
Rate Current(A)	8A	8A	8A	8A

2. wire range: 0.2~1.5mm<sup>2</sup>

NOTES2:

1.Housing: PA66 (UL94V-0)

2.Cover: PA66 (UL94V-0)

3.Spring: Stainless Steel

4. Conductor: Copper (Sn Plated)

5.Button

NOTES3:

1.Pitch: 3.5mm Poles: 02-24P

2.Stripping length: 9-10mm

3.Operating temperature: -40℃~+105℃

4.RoHS Compliance

How to order

MX15EDGKN - 35 - XXP - XXXX - XX - X - X

产品型号 间距 颜色 极数 01:常规颜色 0:Y一字螺丝 A-Z其他定制

灰色:GY 橙色:OE 02-99: 蓝色:BU 红色:RD 定制颜色 黑色:BK 透明色:TT 绿色:GN 黄色:YW 透射色:TT 白色:WE

Cu:铜 1:S十字螺丝 2:P.S平头十字螺丝 Fe:铁

Pitch Range In mm	Nominal Dimension In mm	Range	Symbol
Over 6 TO 10	Over 10 TO 24	Over 30 TO 60	Over 60 TO 100
Over 10 TO 15	Over 24 TO 30	Over 60 TO 100	Over 100 TO 150
±0.15	±0.20	±0.30	±0.50
±0.30	±0.70	±1.00	±1.30
±2°	±2°	±2°	±2°

ITEM	NAME OF PART	NO. OF PART	Q'TY	MATERIAL	NOTE
DWG	CHK	DATE	SCALE	SHEET/OF	1/1
APP	DATE	SCALE	A4		
CIXI MAIXU ELECTRONICS CO.,LTD					MX15EDGKN-35-XXP
MAIXU 慈溪市迈旭电子有限公司					DWGNO.