

# MICRO SWITCH

A DIVISION OF HONEYWELL-INTERNATIONAL COMPANY  
 FEDERAL MANUFACTURING CODE 91929

# ACTUATOR-SWITCH

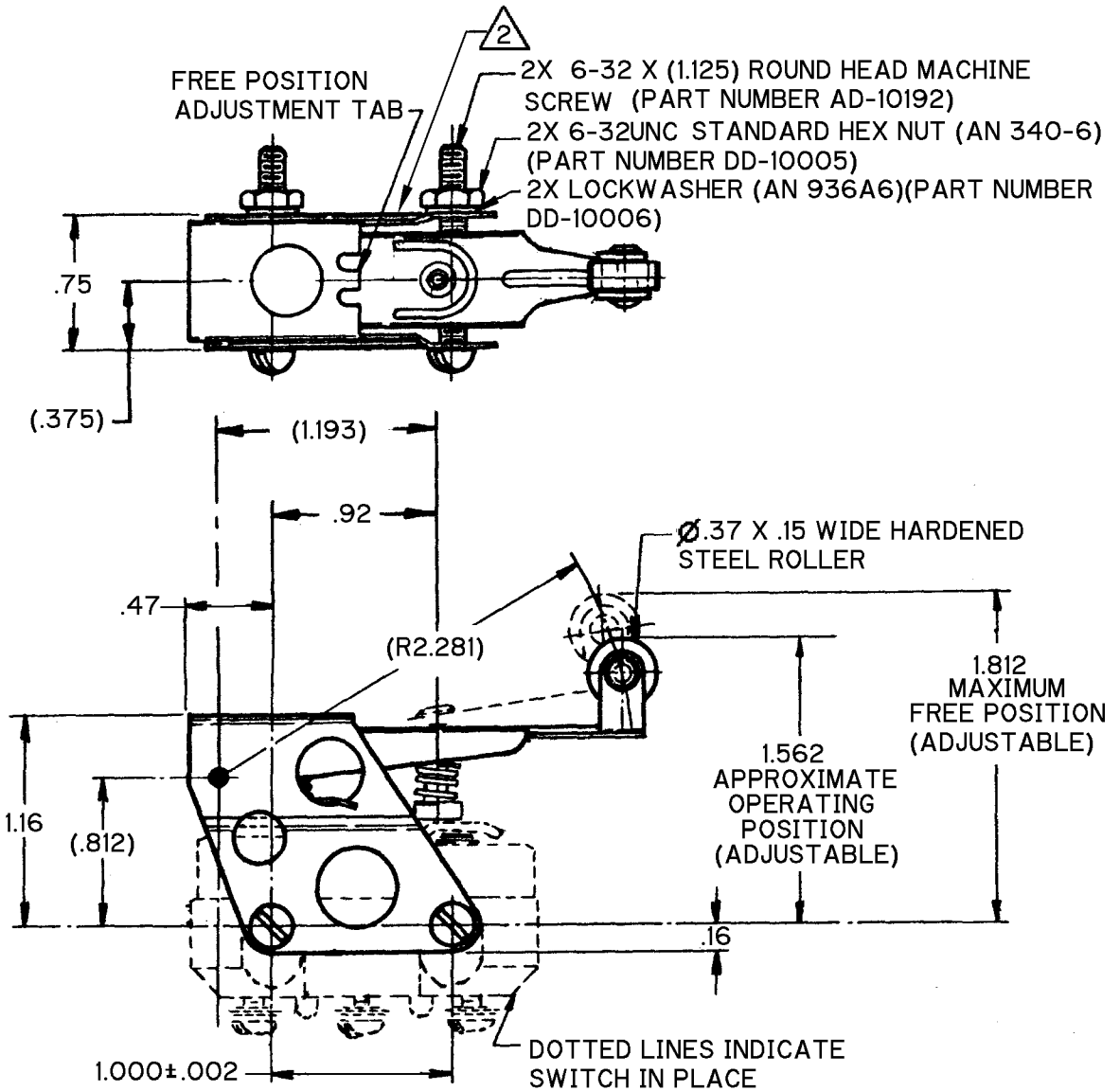
CATALOG LISTING

**ADH3721R2**

CA-E6000

DRAWING NUMBER  
**ADH3721R2**  
 PAGE 1 OF 1  
 ISSUE  
**M**  
 8

REVISIONS  
 A CO 10698  
 J. E. C.  
 19 JAN 58  
 B CO 21727  
 M. B. P.  
 29 AUG 66  
 C CO 44130  
 J. S.  
 24 APR 78  
 D CO 67753  
 J. A. P.  
 4 JUN 90  
 E CO 74082  
 L. J. F.  
 6 JAN 93  
 F CO 79826  
 D. L. Y.  
 11 JAN 95  
 G CO 95685  
 J. J. A.  
 8 FEB 00



- NOTES  
 1 - SCREWS, NUTS AND LOCKWASHERS FURNISHED UNASSEMBLED  
 2 MARKED ON THIS SIDE

ANSI Y14.5M-1982 APPLIES

THIS DRAWING COVERS A PROPRIETARY ITEM AND IS THE PROPERTY OF MICRO SWITCH, A DIVISION OF HONEYWELL. THIS DRAWING IS NOT TO BE COPIED OR USED WITHOUT THE APPROVAL OF MICRO SWITCH.

CHARACTERISTICS	ELECTRICAL DATA		SCALE FULL
WITH IHS6 BASIC SWITCH INSTALLED OPERATING FORCE -----28 OZ. MAX.	CONTACT ARRANGEMENT	BREAK DISTANCE	DO NOT SCALE PRINT
RELEASE FORCE -----12 OZ. MIN.			UNLESS OTHERWISE SPECIFIED DIMENSIONS ARE IN INCHES <b>TOLERANCES ARE:</b>
DIFFERENTIAL TRAVEL-----.046 MAX			ONE PLACE (.0) ±.050
OVERTRAVEL-----.250 APPROX.			TWO PLACE (.00) ±.018
			THREE PLACE (.000) ±.008
			ANGLES ±
			WEIGHT

FORMTEK  
 DRAWN  
 J. E. C. 13 JAN '98  
 CHECK GCH