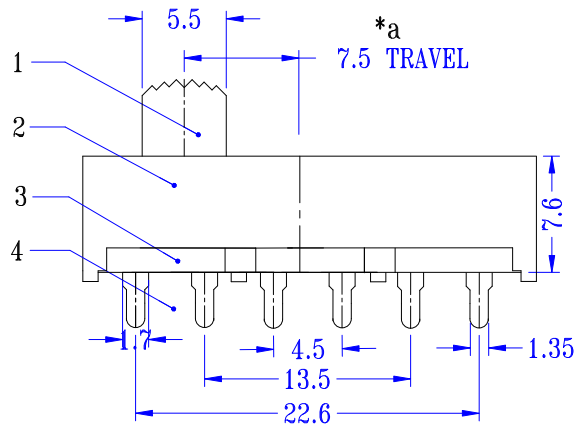
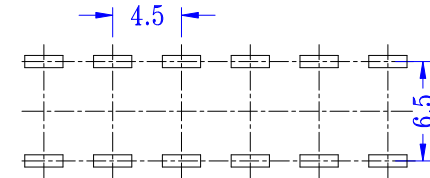
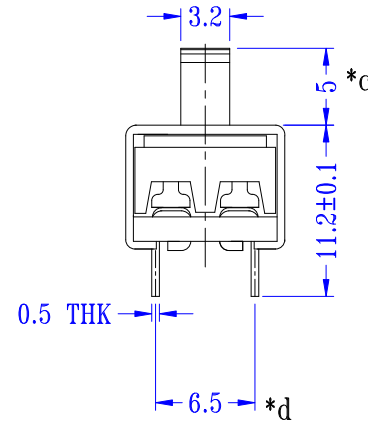


SCHEMATIC (NON-SHORTING)



\*b



P.C.B LAYOUT  
BOTTOM VIEW

注：“\*”表示关键尺寸(4个)

8					TOLERANCE UNLESS SPECIFIED							
7					UP TO 5mm: ±0.1	ANGULAR	1					
6	CONTACT	BRASS	2	Ag-PLATED	ABOVE 5mm: ±0.2	±1°	NO	DATE	REVISIONS		BY	APPD
5	SPRING	PBS	3									
4	TERMINAL	BRASS	8	Ag-PLATED	TITLE: VERTICAL SLIDE SWITCH		UNIT : MM	ROHS	DWN			
3	BASE	PA6T	1		MODEL: SS25H20		SCALE: 1:1	COMPLIANT	CHK'D			
2	FRAME	IRON	1	Ni-PLATED	深圳市金航标电子有限公司		www.kinghelm.com.cn		APPD			
1	KNOB	POM	1	BLACK	KH-SS25H20-G9		0755-28190160		PRO.AGL:			REV :A0
NO.	PART	NAME	MATERIAL	QTY	FINISHING							