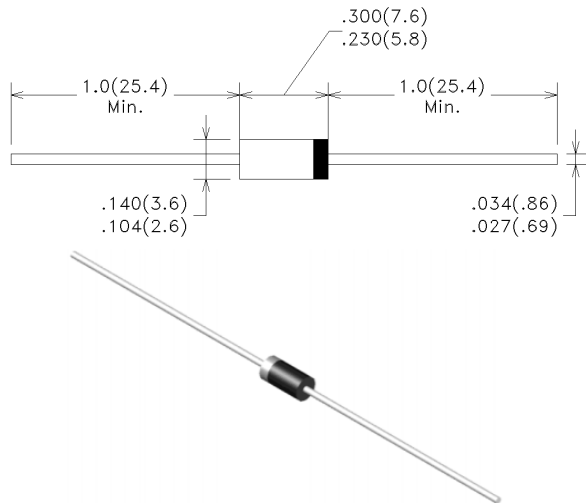


## Axial General Purpose Rectifier

### 2.0A / 1000V

Package Outline Dimensions in mm (inches)  
**DO-15**



### Features

- High recovery voltage
- Low forward voltage drop
- Low leakage current
- High forward surge capability
- Meets MSL level 1, per J-STD-020, LF maximum peak of 260 °C
- Compliant to RoHS Directive 2002/95/EC and in accordance to WEEE 2002/96/EC

### Typical Applications

- For use in general purpose rectification of power Supplies.

### Mechanical Data

- Case: DO-15 Plastic Package
- Polarity: Color band denotes cathode end

### Maximum ratings

Ratings at TA=25°C (unless otherwise specified)

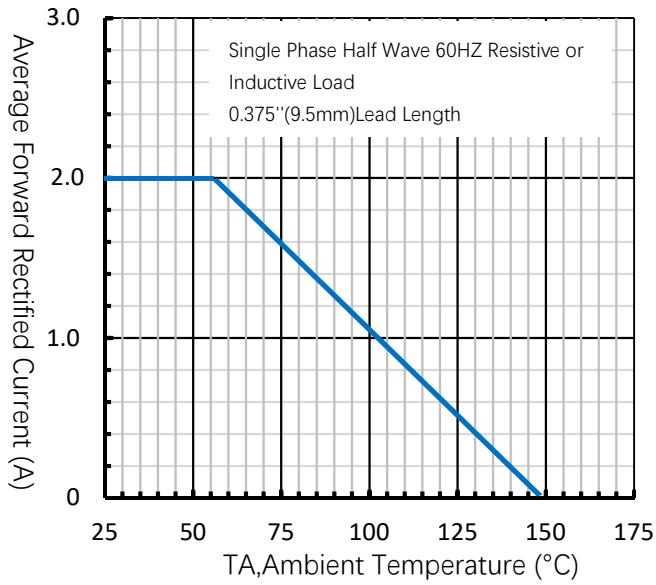
| Parameter  | Symbol             | RL207     | Unit  |
|--|--------------------|-----------|-------|
| Maximum recurrent peak reverse voltage   | V <sub>RRM</sub>   | 1000      | V     |
| Maximum RMS voltage  | V <sub>RMS</sub>   | 700       | V     |
| Maximum DC blocking voltage  | V <sub>DC</sub>    | 1000      | V     |
| Maximum average forward rectified current  | I <sub>F(AV)</sub> | 2.0       | A     |
| Peak forward surge current 8.3 ms single half sine-wave superimposed on rated load | I <sub>FSM</sub>   | 60        | A     |
| Thermal Resistance   | R <sub>thJA</sub>  | 48        | °C /W |
| Storage temperature range  | T <sub>s</sub>     | -55 ~ 150 | °C    |
| Operating Junction temperature range   | T <sub>j</sub>     | -55 ~ 150 | °C    |

### Electrical characteristics

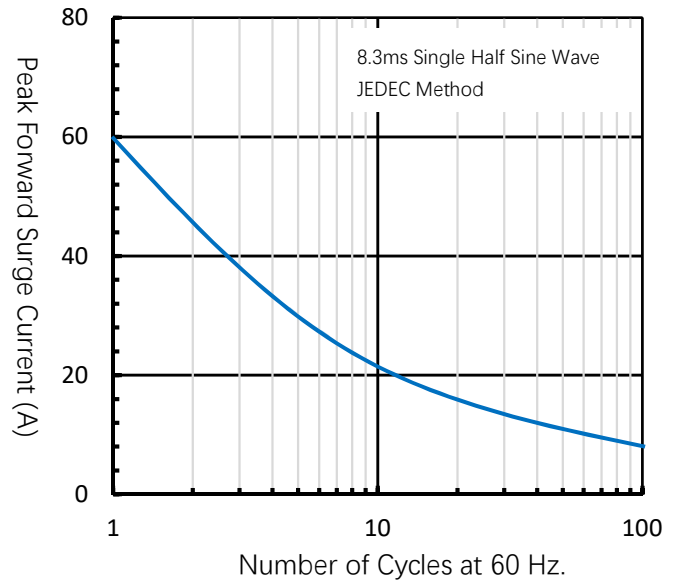
Ratings at TA=25°C (unless otherwise specified)

| Parameter   | Test Conditions      | Symbol         | RL207 | Unit |
|---|----------------------|----------------|-------|------|
| Maximum forward voltage                                 | I <sub>F</sub> =2.0A | V <sub>F</sub> | 1.1   | V    |
| Maximum DC reverse current at rated DC blocking voltage | TA=25°C              | I <sub>R</sub> | 5.0   | μA   |
|   | TA=100°C             |                | 100   |      |

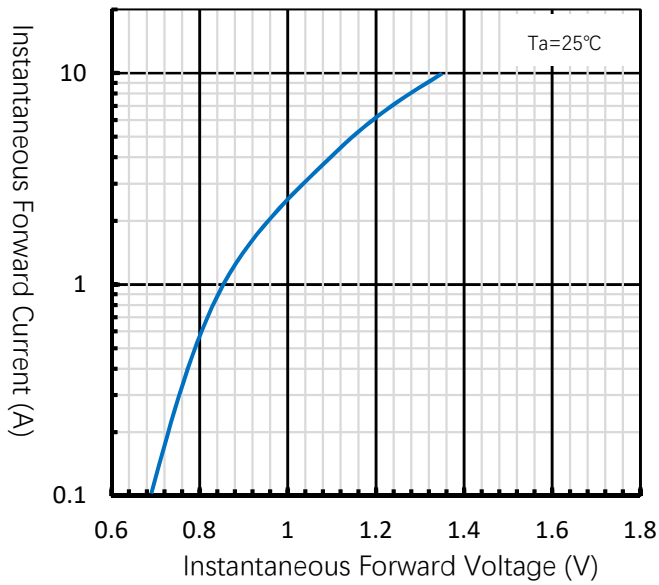
**Characteristics Curves**



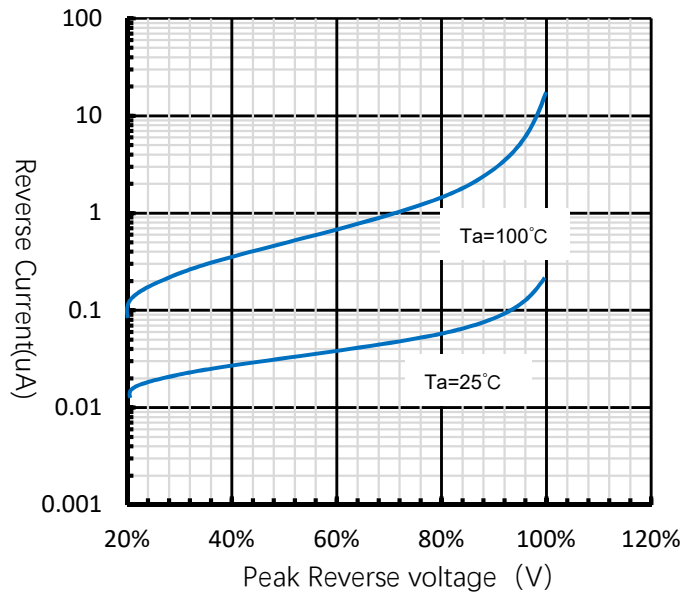
**Fig.1 Forward Current Derating Curve**



**Fig.2 Forward Surge Current Capability**



**Fig. 3 Typical Forward Characteristic**



**Fig. 4 Typical Reverse Characteristics**