

规格说明: Specifications:

电气特性: Electrical:

1. 额定电流: Current Rating  
1.5A/contact terminal
2. 额定电压: Voltage Rating  
30V DC
3. 接触阻抗: Contact Resistance  
30 milliohms MAX
4. 耐电压: Dielectric Withstanding Voltage:  
500 V AC AT Sea Level
5. 绝缘阻抗: Insulation Resistance:  
1000MEGA ohms MIN

物理性能: Mechanical:

1. 插拔力: Connector Mate and Unmate Force  
Mate force: 3.57kgf(MAX)  
Unmate force: 1.02kgf(MIN)
2. 端子保持力: Terminal Retention  
1.0kgf(MIN)

原材料: Material:

1. 塑胶: Housing:  
Hing Temperature Thermoplastics,
2. 端子: Contact: Copper Alloy C2680
3. 外壳: Shell: Copper Alloy C2680/SPCC

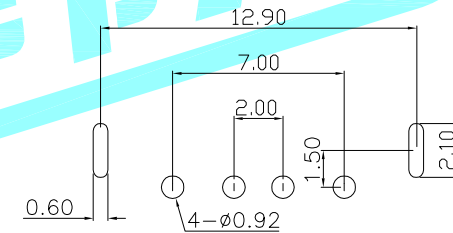
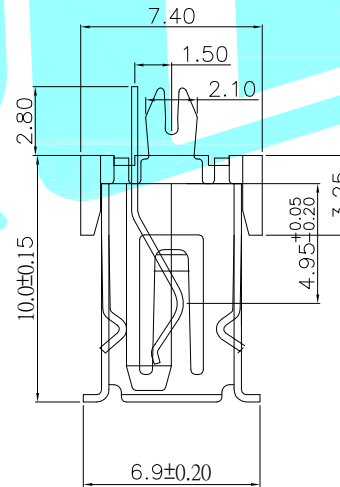
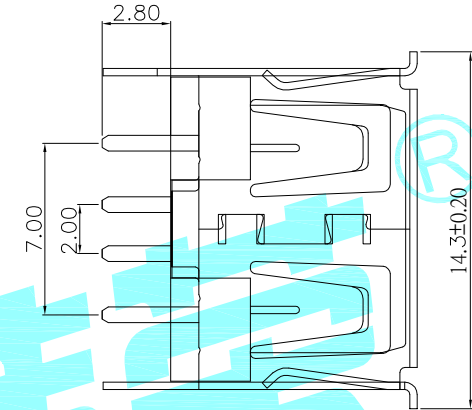
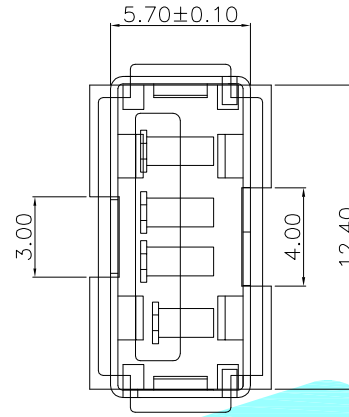
电镀: Finish:

1. 端子: Contact: Plated Gold in Mating Area;  
Tin On Solder Talls

端子四周镀50U”(MIN)锡, 镀金区域镀100-200U”镀金1U”

2. 外壳: Shell:  
铜壳四周镀80U”(MIN)锡

Nickel Plating



Recommended PCB Layout

PART NO.	
U-A-24DD-Y-6	U-A-24DD-Y-6A
Housing&White	Housing&Black

ITEM	PART NAME	TER'NO.	QTY.	MATERIAL	FINISHING	REMARK
③	Base	—	1	NYLON	—	—
②	Terminal	—	4	Phosphor Bronze	Ag Plated	—
①	Housing	—	1	SPCC/Copper	Sn Plated	—

APPROVALS		DATE	HRO 翰睿® ELECTRONICS CO.,LTD			
DRAWN	xu qi feng	2018/8/1	TITLE:		USB CONNECTOR	
CHECKED			PART NO.			
APPROVALS						
TOLERANCES ARE		30~以上 10~30 5~10 ~ 5	±0.30 ±0.25 ±0.20 ±0.15	ANGLE ±2°	UNIT: mm	SCALE: 1:1
ECN NO.	REV.	DATE.	DESCRIPTION.	CHANGE.	CHECK.	APPRO.
	A		NEW			

ECN NO.	REV.	DATE.	DESCRIPTION.	CHANGE.	CHECK.	APPRO.
	A		NEW			