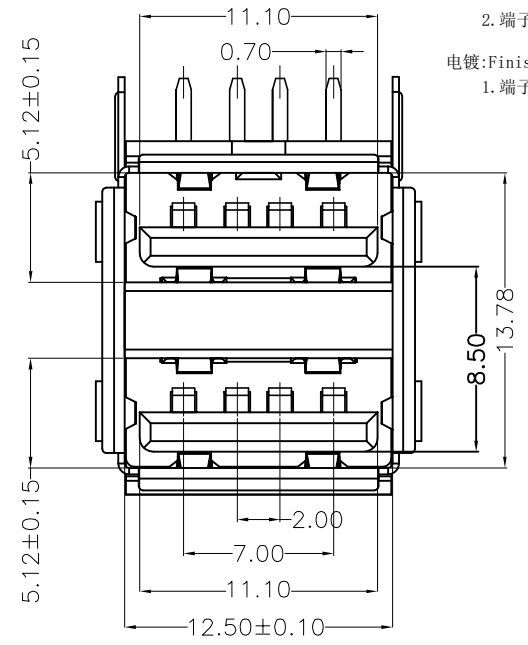
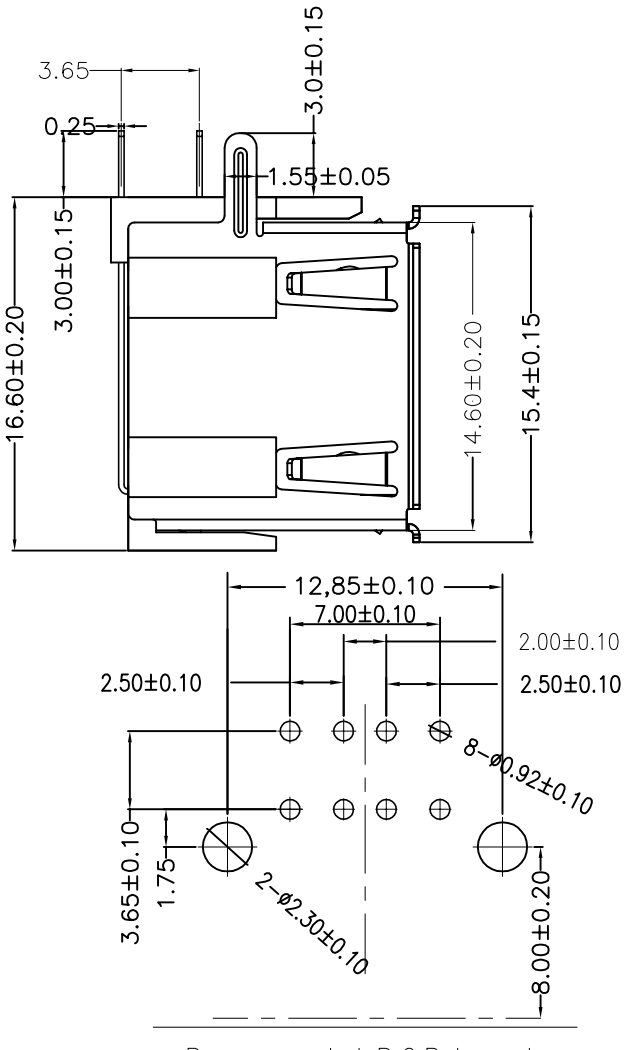
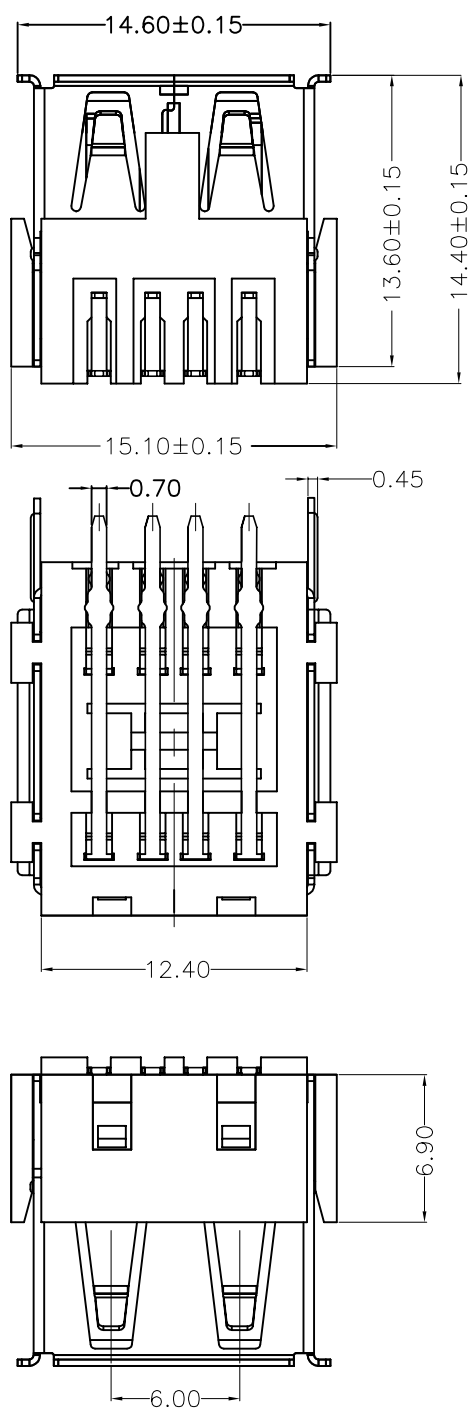


由 Autodesk 教育版产品制作



REV	MARK	修改摘要 REVISION DESCRIPTION	签名 SIGNATURE	日期 DATE
AO		NEW DWG		2016-03-12

规格说明: Specifications:

电气特性: Electrical:

- 额定电流: Current Rating
1.5A/contact terminal
- 额定电压: Voltage Rating
30V DC
- 接触阻抗: Contact Resistance
30 milliohms MAX
- 耐电压: Dielectric Withstanding Voltage:
500 V AC AT Sea Level
- 绝缘阻抗: Insulation Resistance:
1000MEGA ohms MIN

原材料: Material:

- 塑胶: Housing:
Hing Temperature Thermoplastics,
- 外壳: Shell: SPCC
Nickel Plating
- 端子: Contact: Copper Alloy C2680

电镀: Finish:

- 端子: Contact: Plated Gold in Mating Area;
Tin On Solder Talls

深圳市华德共创科技有限公司
Shenzhen Huade co-create Technology Co., LTD
电话: 0755-23304126 传真: 0755-29940187

-TOLERANCES- UNLESS OTHERWISE SPECIFIED 公差参数表		TITLE: 产品名称: USB AF13.5双层卷边黑胶	
X.X	± 0.30	X.X*	$\pm 3^\circ$
X.XX	± 0.20	X.XX*	$\pm 2^\circ$
X.XXX	± 0.10	X.XXX*	$\pm 1^\circ$

APPD: 核准:	 王建业	PART NO: 产品编号:	USB-HXS-110DIP		
CHECK: 校对:		DATE	SCALE	UNIT	CODE NUMBER
DRAW: 绘图:		2016-03-12	1:1	mm	A001

由 Autodesk 教育版产品制作