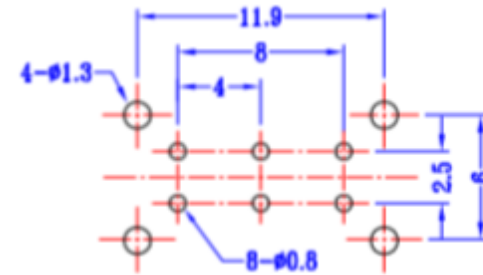
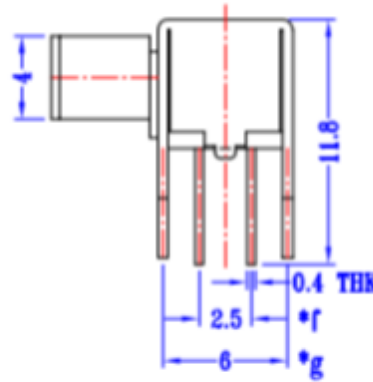
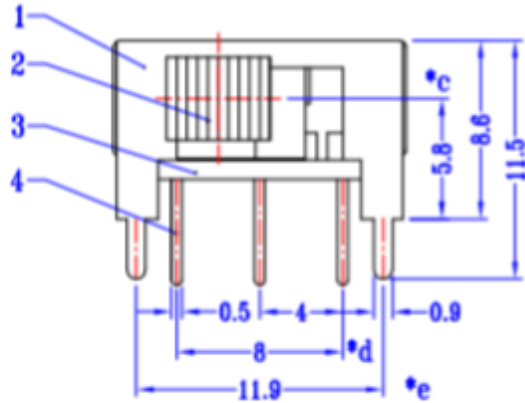
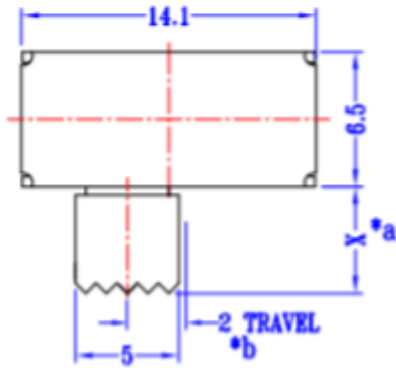




CAD FILE:

**Kinghelm®**



SCHEMATIC (NON-SHORTING)

P.C.B. LAYOUT  
BOTTOM VIEW

注：“\*”表示关键尺寸(7个)。

NO.	PARTS	MATERIALS	Q'TY	FINISH	TOLERANCE UNLESS SPECIFIED	ISSUE	DATE	DESCRIPTIONS OF REVISION	APPD.	
8										
7	CONTACT CLIP	PBS STRIP	2	Ag PLATED						
6	SPRING	STEEL WIRE	1	NATURAL	WITHIN 1.5mm : ±0.1mm	A	28-Aug-2012	初版		
5	STEEL BALL	STEEL	1	NATURAL	OVER 1.5mm : ±0.2mm					
4	TERMINAL	BRASS STRIP	8	Ag PLATED						
3	BASE	PHENOLIC RESIN	1	NATURAL						
2	KNOB	POM	1	BLACK						
1	FRAME	STEEL STRIP	1	Ni PLATED						
					TITLE : HORIZONTAL SLIDE SWITCH		UNIT : mm	DRWG NO.: SK23D04		
					MODEL: SK-23D04 (六脚)		SCALE: 3 : 1	DWN.	LUCAS	28-Aug-2012
					深圳市金航标电子有限公司		www.kinghelm.com.cn		CHK'D	
					KH-SK23D09-G5		0755-28190160		APPD.	