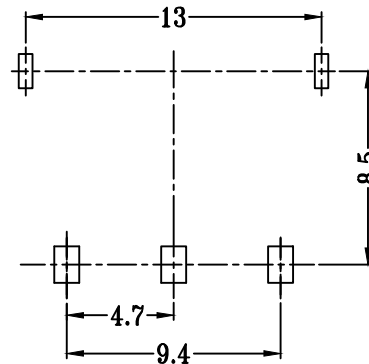
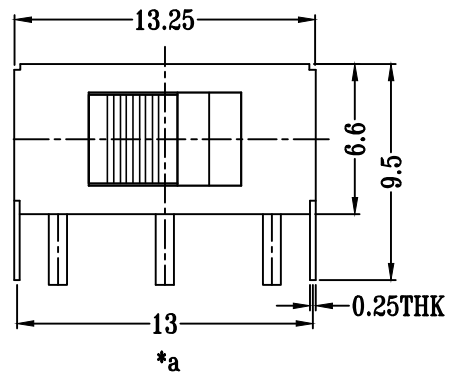
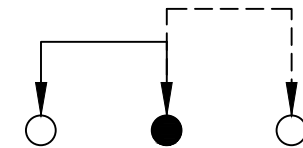


CAD FILE:

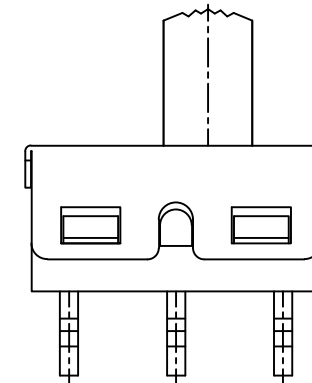
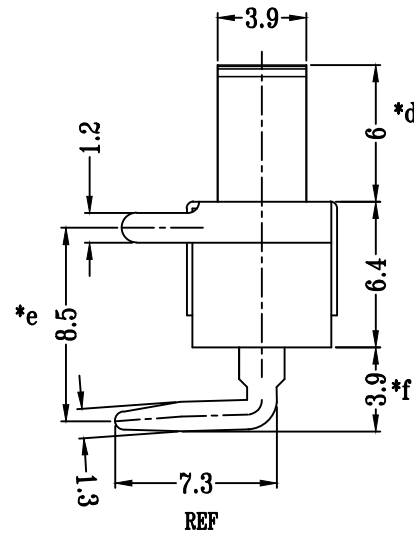
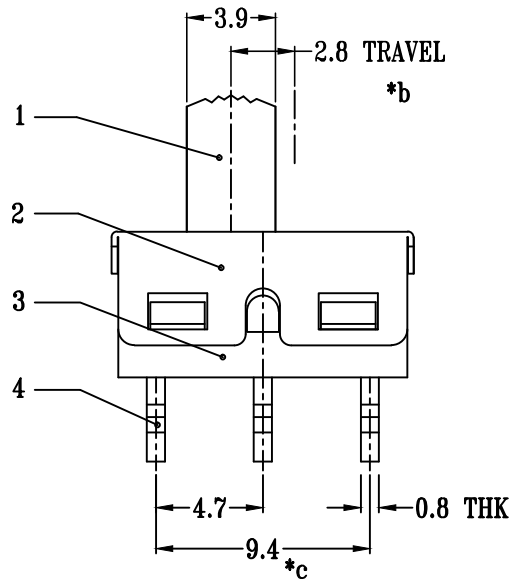
Kinghelm®



P.C.B LAYOUT
BOTTOM VIEW



SCHEMATIC(NON-SHORTING)



注：“*”表示关键尺寸（6个）。

NO.	PARTS	MATERIALS	Q'TY	FINISH	TOLERANCE UNLESS SPECIFIED						
7	STEEL BALL	STEEL	1	NATURAL	WITHIN 1.5mm : ±0.1mm	A	2018-11-05	初版		李燕	
6	SPRING	STEEL WIRE	1	NATURAL	OVER 1.5mm : ±0.2mm	ISSUE	DATE	DESCRIPTIONS OF REVISION		APPD.	
5	CONTACT	COPPER STRIP	1	Ag PLATED	TITLE : VERTICAL SLIDE SWITCH		UNIT : mm	DRWG NO.: SS12D11			
4	TERMINAL	BRASS STRIP	3	Ag PLATED	MODEL: SS12D11		SCALE: 3:1				
3	CASE	PA9T+94V0	1	BLACK	深圳市金航标电子有限公司		www.kinghelm.com.cn				
2	COVER	SUS	1	Sn PLATED	KH-SS12D11-G5		0755-28190160		DWN.	张小萌	2018-11-05
1	NOB	PA66	1	BLACK					CHK'D	刘小明	2018-11-05
									APPD.	李燕	2018-11-05