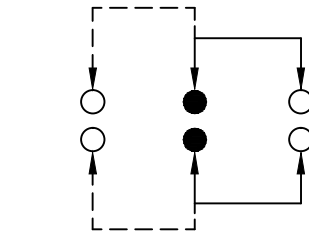
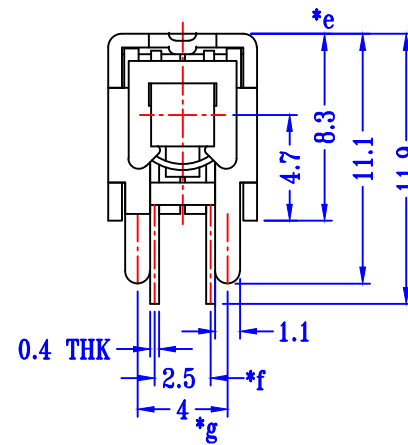
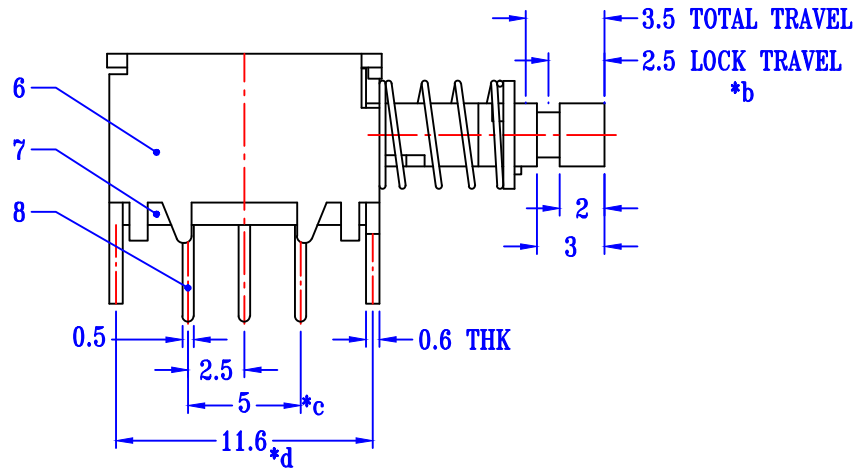
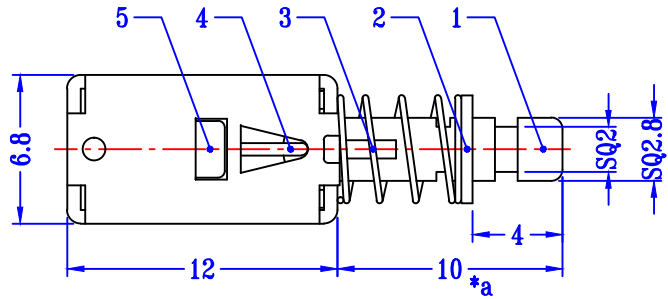
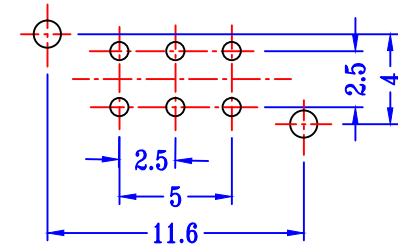




Kinghelm®



SCHEMATIC (NON-SHORTING)



P.C.B LAYOUT
BOTTOM VIEW

注：“*”表示关键尺寸(7个).

9	CONTACT CLIP	PBS C5210R-EH	2	Ag CLAD
8	TERMINAL	BRASS STRIP	6	Ag PLATED
7	BASE	PHENOLIC RESIN	1	NATURAL
6	FRAME	STEEL STRIP	1	Ni PLATED
5	SPRING PLATE	PBS STRIP	1	NATURAL
4	CAM STICK	PBS WIRE	1	NATURAL
3	SPRING	STEEL WIRE	1	Ni PLATED
2	BLOCK	STEEL STRIP	1	Ni PLATED
1	KNOB	PBT	1	BLUE/BLUCK
NO.	PARTS	MATERIALS	Q'TY	

TOLERANCE UNLESS SPECIFIED					
WITHIN 1.5mm : ±0.1mm	A	2020-8-3	初版	李燕	
OVER 1.5mm : ±0.2mm	ISSUE	DATE	DESCRIPTIONS OF REVISION	APPD.	
TITLE : PUSH SWITCH		UNIT : mm	DRWG NO.: PS22E05		
MODEL: PS-22E05		SCALE: 3:1	DWN.	李小庆	2020-8-3
深圳市金航标电子有限公司		www.kinghelm.com.cn	CHK'D	李燕	2020-8-3
KH-PS22E05-G3.2		0755-28190160	APPD.	李燕	2020-8-3