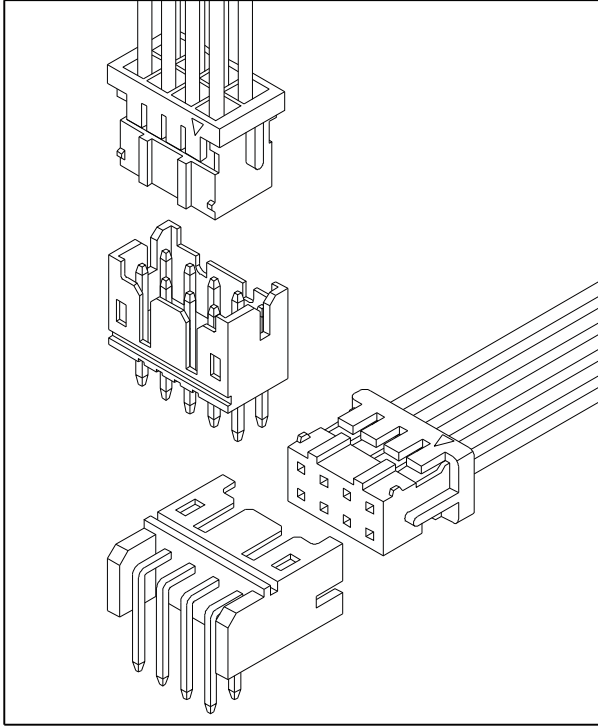


## 2.00mm Pitch Wire To Board Connector

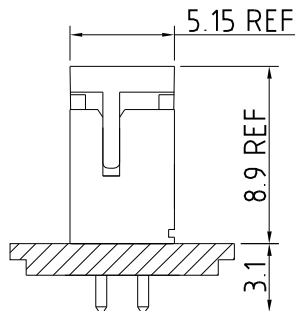


### Specification

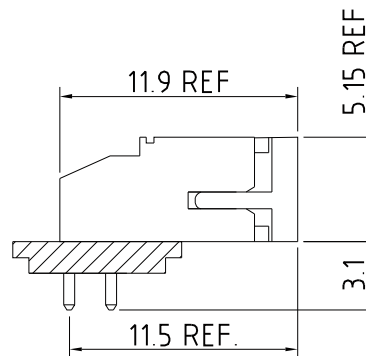
|                                   |                |
|-----------------------------------|----------------|
| <b>Circuits</b>                   | 2x02 - 2x20    |
| <b>Pitch</b>                      | 2.00mm         |
| <b>Current Rating</b>             | 3A AC/DC       |
| <b>Voltage Rating</b>             | 100V AC/DC     |
| <b>Contact Resistance</b>         | 30mΩ MAX.      |
| <b>Withstand Voltage</b>          | 500V AC/minute |
| <b>Insulation Resistance</b>      | 500MΩ MIN.     |
| <b>Temperature Range</b>          | -25°C - +85°C  |
| <b>Applicable Wire Range</b>      | AWG #22 - #28  |
| <b>Applicable P.C.B Thickness</b> | 1.6mm          |
| <b>Applicable P.C.B Hole Dia.</b> | ∅0.8mm ± 0.05  |

### Assembly Layout

Vertical Type



Right Angle Type



IPCW207 \* \*\* \* \* \* \* \*  
 ① ② ③ ④ ⑤ ⑥ ⑦ ⑧

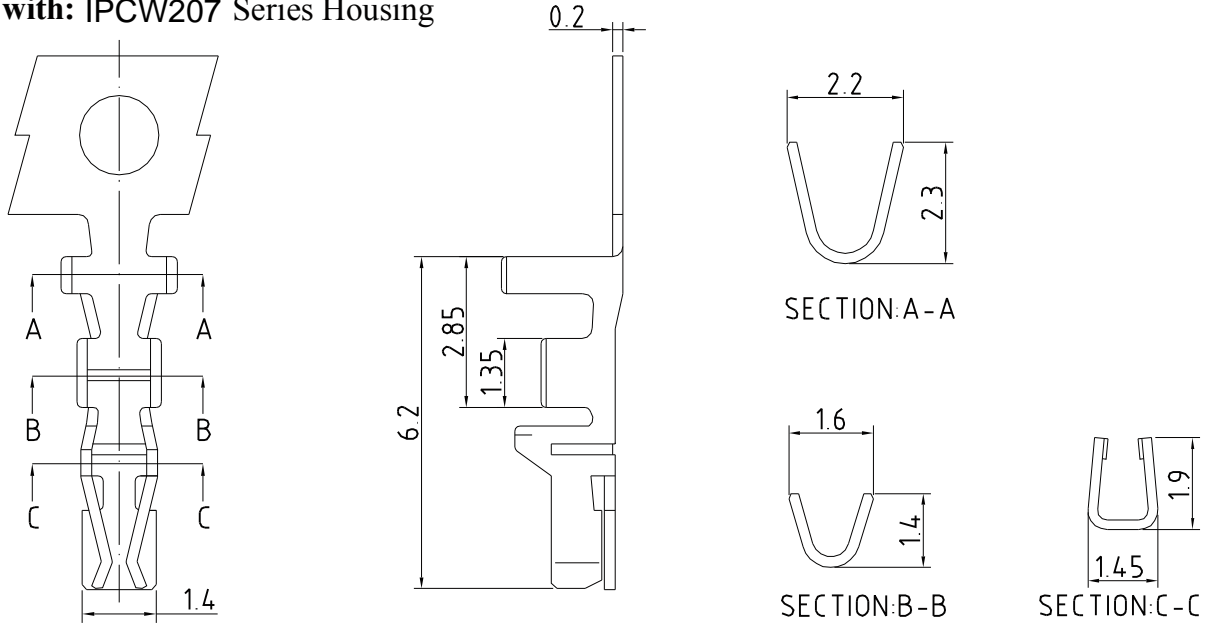
- ① Series Type. IPCW207
- ② Connector Type.  
T: Terminal  
W: Wafer  
H: Housing
- ③ Pin code.  
Terminal: Serial number  
Wafer or Housing: x row x pin number of row
- ④ Material code.
- ⑤ Appearance code.
- ⑥ Internal code
- ⑦ Company code.
- ⑧ Other code.  
Housing  
K: KE-TYPE  
Wafer  
V: Vertical  
R: Right Angle

Unit : mm

## Terminal

### Features

Use with: IPCW207 Series Housing



### CONTACT INFORMATION

| Part No.    | Wire Range  | Insulation O.D. | Material        | Finish   | Q'ty/Reel  |
|-------------|-------------|-----------------|-----------------|----------|------------|
| IPCW207T01* | AWG #22-#28 | 1.45mm(MAX.)    | Phosphor bronze | See note | 10,000 pcs |

## Housing

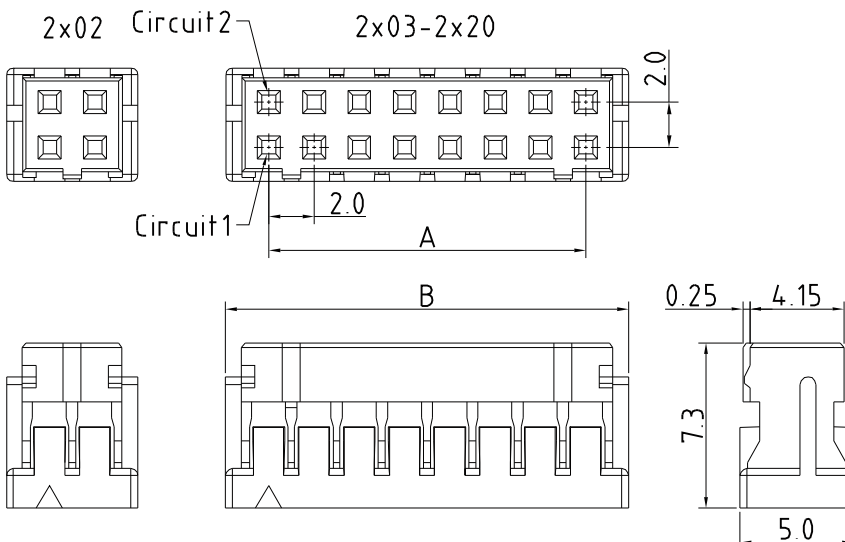
### Features

Available Number of Circuits: 2x02 - 2x20

Material: Regular Thermoplastic 94V-0

Use with: IPCW207 Crimp Terminal

Mates with : IPCW207 Series Wafer



### Dimension and Order Information

| Circuits | Part No.    | DIM.(mm) |       |
|----------|-------------|----------|-------|
|          |             | A        | B     |
| 4        | IPCW207H22* | 2.00     | 5.80  |
| 6        | IPCW207H23* | 4.00     | 7.80  |
| 8        | IPCW207H24* | 6.00     | 9.80  |
| 10       | IPCW207H25* | 8.00     | 11.80 |
| 12       | IPCW207H26* | 10.00    | 13.80 |
| 14       | IPCW207H27* | 12.00    | 15.80 |
| 16       | IPCW207H28* | 14.00    | 17.80 |
| 18       | IPCW207H29* | 16.00    | 19.80 |
| 20       | IPCW207H2A* | 18.00    | 21.80 |
| 22       | IPCW207HB7* | 20.00    | 23.80 |
| 24       | IPCW207H2C* | 22.00    | 25.80 |
| 26       | IPCW207H2D* | 24.00    | 27.80 |
| 28       | IPCW207H2E* | 26.00    | 29.80 |
| 30       | IPCW207H2F* | 28.00    | 31.80 |
| 32       | IPCW207H2G* | 30.00    | 33.80 |
| 34       | IPCW207H2H* | 32.00    | 35.80 |
| 36       | IPCW207H2I* | 34.00    | 37.80 |
| 38       | IPCW207H2J* | 36.00    | 39.80 |
| 40       | IPCW207H2K* | 38.00    | 41.80 |

Unit : mm

## Housing KE-TYPE

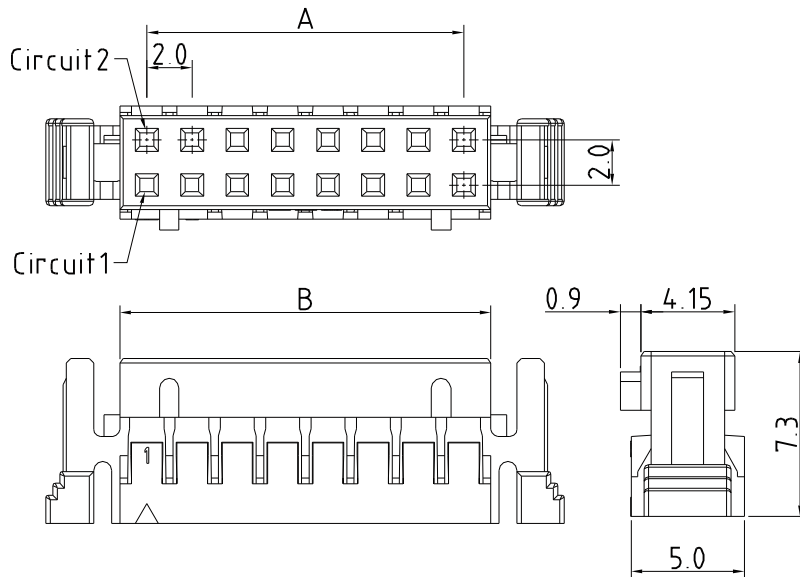
### Features

**Available Number of Circuits:** 2x02 - 2x20

**Material:** Regular Thermoplastic 94V-0

**Use with:** IPCW207 Crimp Terminal

**Mates with :** IPCW205Series KE Type Wafer



Dimension and Order Information

| Circuits | Part No.     | DIM.(mm) |       |
|----------|--------------|----------|-------|
|          |              | A        | B     |
| 4        | IPCW207H22*K | 2.00     | 4.40  |
| 6        | IPCW207H23*K | 4.00     | 6.40  |
| 8        | IPCW207H24*K | 6.00     | 8.40  |
| 10       | IPCW207H25*K | 8.00     | 10.40 |
| 12       | IPCW207H26*K | 10.00    | 12.40 |
| 14       | IPCW207H27*K | 12.00    | 14.40 |
| 16       | IPCW207H28*K | 14.00    | 16.40 |
| 18       | IPCW207H29*K | 16.00    | 18.40 |
| 20       | IPCW207H2A*K | 18.00    | 20.40 |
| 22       | IPCW207H2B*K | 20.00    | 22.40 |
| 24       | IPCW207H2C*K | 22.00    | 24.40 |
| 26       | IPCW207H2D*K | 24.00    | 26.40 |
| 28       | IPCW207H2E*K | 26.00    | 28.40 |
| 30       | IPCW207H2F*K | 28.00    | 30.40 |
| 32       | IPCW207H2G*K | 30.00    | 32.40 |
| 34       | IPCW207H2H*K | 32.00    | 34.40 |
| 36       | IPCW207H2I*K | 34.00    | 36.40 |
| 38       | IPCW207H2J*K | 36.00    | 38.40 |
| 40       | IPCW207H2K*K | 38.00    | 40.40 |

**Unit : mm**

## Wafer Vertical

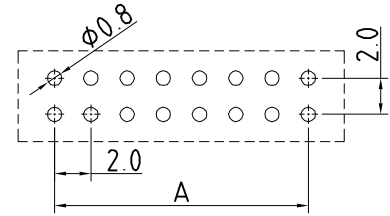
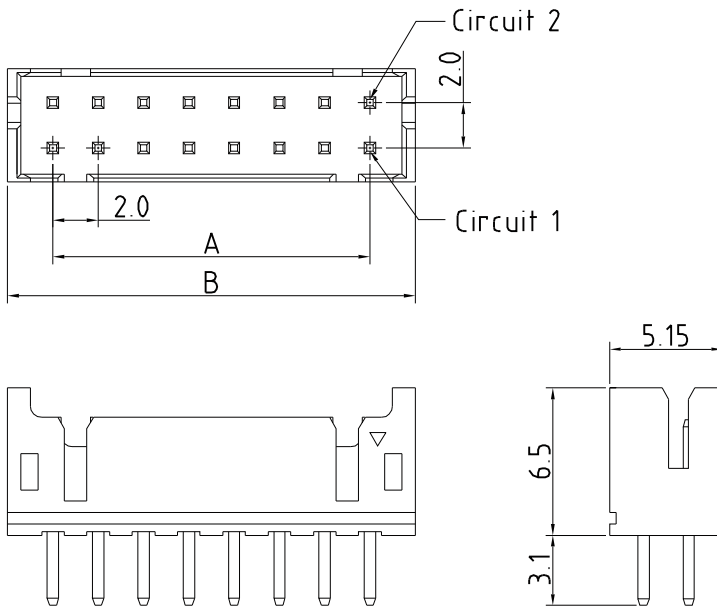
### Features

**Available Number of Circuits :** 2x02 - 2x20

**Material :** Regular Thermoplastic 94V-0

**Contact :** 0.5mm(.020") Square Pin Copper Alloy, Tin-plated

**Mates with :** IPCW207 Series Housing



P.C.B LAYOUT

### Dimension and Order Information

| Circuits | Part No.     | DIM.(mm) |       |
|----------|--------------|----------|-------|
|          |              | A        | B     |
| 4        | IPCW207W22*V | 2.00     | 6.00  |
| 6        | IPCW207W23*V | 4.00     | 8.00  |
| 8        | IPCW207W24*V | 6.00     | 10.00 |
| 10       | IPCW207W25*V | 8.00     | 12.00 |
| 12       | IPCW207W26*V | 10.00    | 14.00 |
| 14       | IPCW207W27*V | 12.00    | 16.00 |
| 16       | IPCW207W28*V | 14.00    | 18.00 |
| 18       | IPCW207W29*V | 16.00    | 20.00 |
| 20       | IPCW205W2A*V | 18.00    | 22.00 |
| 22       | IPCW207W2B*V | 20.00    | 24.00 |
| 24       | IPCW207W2C*V | 22.00    | 26.00 |
| 26       | IPCW207W2D*V | 24.00    | 28.00 |
| 28       | IPCW207W2E*V | 26.00    | 30.00 |
| 30       | IPCW207W2F*V | 28.00    | 32.00 |
| 32       | IPCW207W2G*V | 30.00    | 34.00 |
| 34       | IPCW207W2H*V | 32.00    | 36.00 |
| 36       | IPCW207W2I*V | 34.00    | 38.00 |
| 38       | IPCW207W2J*V | 36.00    | 40.00 |
| 40       | IPCW207W2K*V | 38.00    | 42.00 |

## Wafer Right Angle

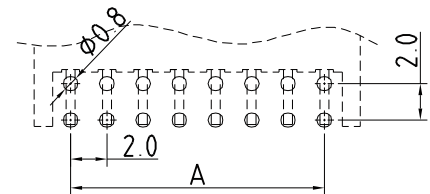
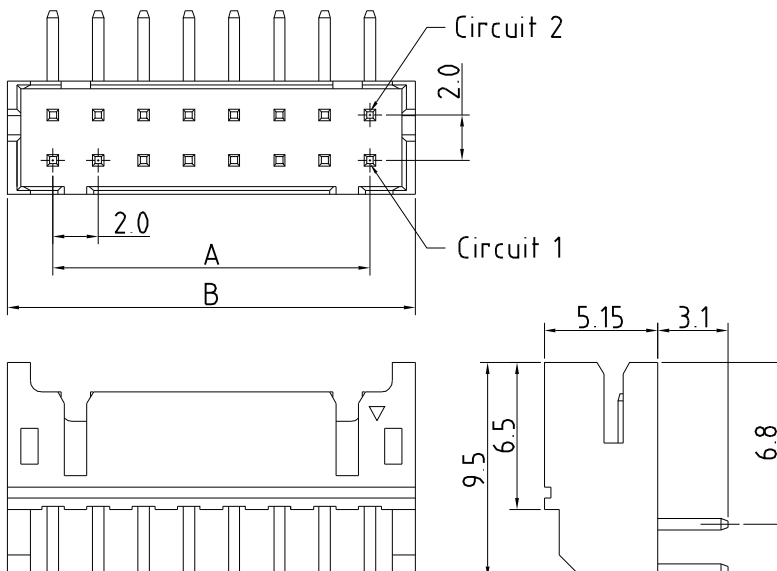
### Features

**Available Number of Circuits :** 2x02 - 2x16

**Material :** Regular Thermoplastic 94V-0

**Contact :** 0.5mm(.020") Square Pin Copper Alloy, Tin-plated

**Mates with :** IPCW207 Series Housing



P.C.B LAYOUT

### Dimension and Order Information

| Circuits | Part No.     | DIM.(mm) |       |
|----------|--------------|----------|-------|
|          |              | A        | B     |
| 4        | IPCW207W22*R | 2.00     | 6.00  |
| 6        | IPCW207W23*R | 4.00     | 8.00  |
| 8        | IPCW207W24*R | 6.00     | 10.00 |
| 10       | IPCW207W25*R | 8.00     | 12.00 |
| 12       | IPCW207W26*R | 10.00    | 14.00 |
| 14       | IPCW207W27*R | 12.00    | 16.00 |
| 16       | IPCW207W28*R | 14.00    | 18.00 |
| 18       | IPCW207W29*R | 16.00    | 20.00 |
| 20       | IPCW205W2A*R | 18.00    | 22.00 |
| 22       | IPCW207W2B*R | 20.00    | 24.00 |
| 24       | IPCW207W2C*R | 22.00    | 26.00 |
| 26       | IPCW207W2D*R | 24.00    | 28.00 |
| 28       | IPCW207W2E*R | 26.00    | 30.00 |
| 30       | IPCW207W2F*R | 28.00    | 32.00 |
| 32       | IPCW207W2G*R | 30.00    | 34.00 |