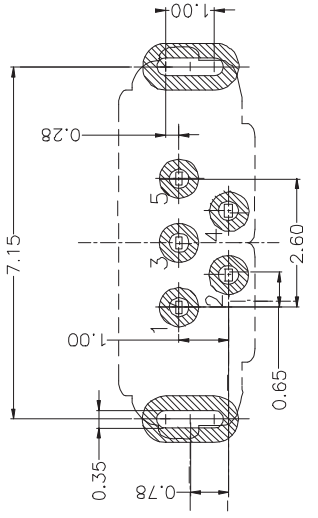
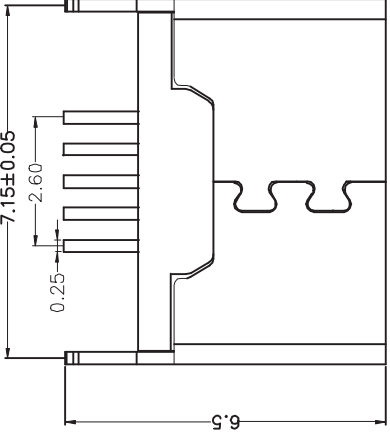
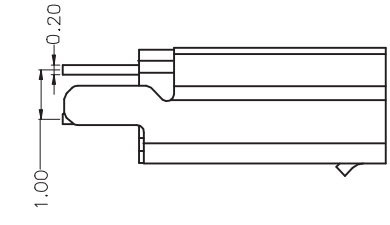
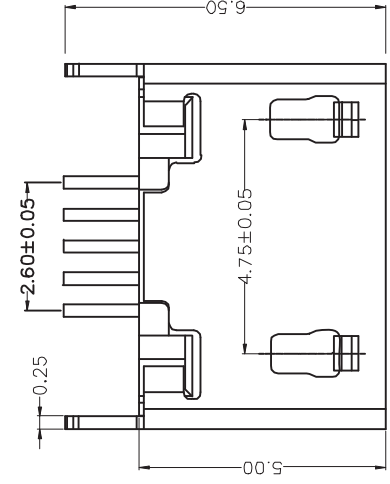
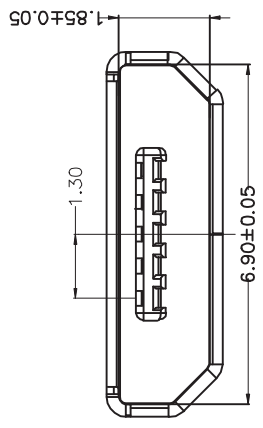


REV.	QTY	ECN. NO.	APR.	DATE
X0	--	FIRST RELEASE	JOB5	2015.02.16



**Specifications:**

1. Electrical:
  - 1.1 Current Rating: 2.0A/contact terminal
  - 1.2 Voltage Rating: 30V DC
  - 1.3 Contact Resistance: 50 milliohms Max
  - 1.4 Dielectric Withstanding Voltage: 300 V AC AT Sea Level
  - 1.5 Insulation resistance: 100MEGA ohms MIN
2. Mechanical:
  - 2.1 Connector Mate and Unmate Force  
Mate force: 3.0kgf (Max)  
Unmate force: 0.7kgf (MIN)
  - 2.2 Durability: 2000 cycles
  3. Material:
    - 3.1 Housing: Hing Temperature Thermoplastics, UI 94V-0 LCP Black
    - 3.2 Contact: C5191-EH
    - 3.3 Shell: SUS304-EH
  4. PLATING:
    - 4.1 Contact: Plated Gold in Mating Area; Tin On Solder Talls
    - 4.2 Shell: Nickel 50u Min Plated.



RECOMMENDED PCB LAYOUT(TOP VIEW)  
GENERAL TOLERANCES: ±0.05

DONGDUAN DEALON ELECTRONICS CO.,LTD	
DIMENSION IN mm	
TOLERANCE UNLESS OTHERWISE SPECIFIED	
.X±0.35	.X±.5°
.XX±0.25	.X±.3°
.XXX±0.15	.XX±.1°
APR.	TITLE: Micro USB 5PIN/P 直插180° DIP 平口L RM
CHK.	P/N: USB-MR-D-026
DRA.	PROJ. CUSTOMER DRAWING
JOB5	SIZE A4
2015.02.16	SCALE: FREE
	SHEET 1 / 1
	REV. X0