

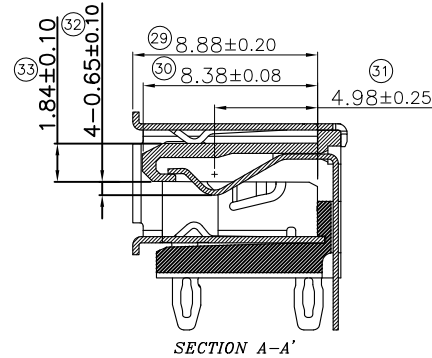
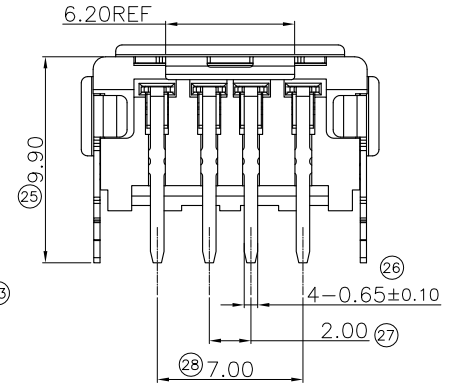
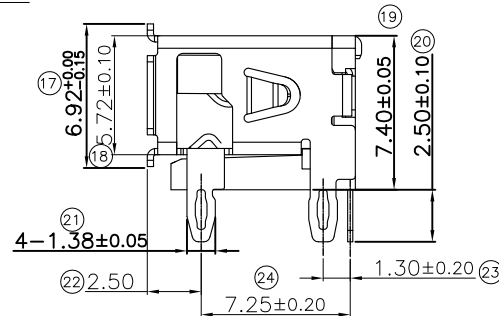
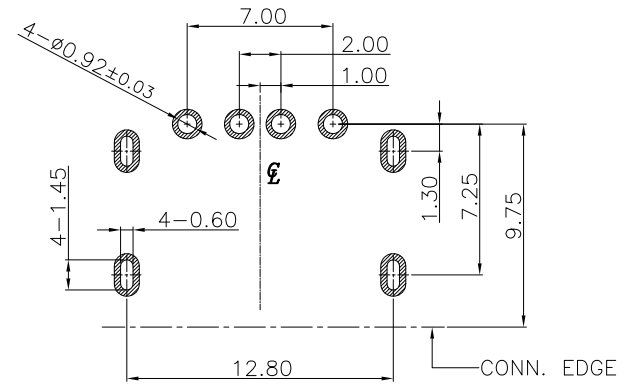
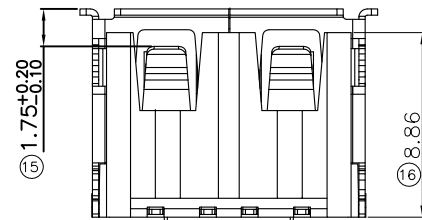
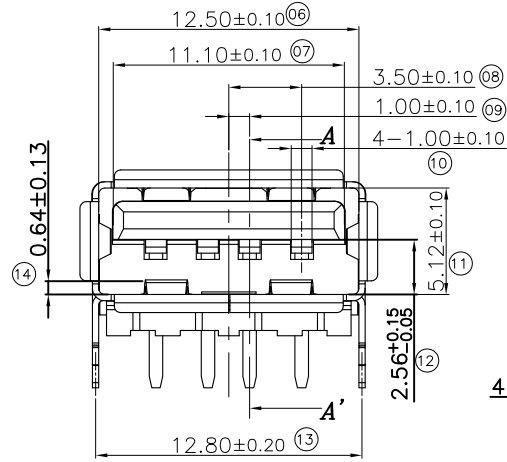
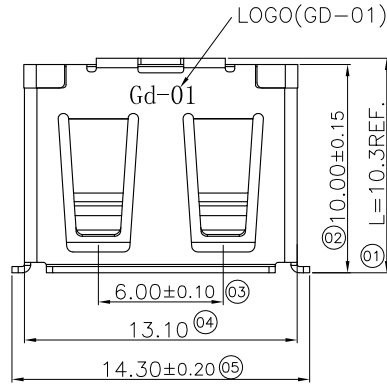
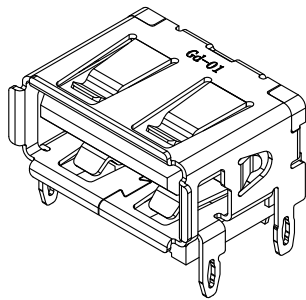
RoHS&HF Compliant

NOTE:

1. Material:
Housing: PBT White;Thermoplastics,UL94V-0(Halogen free)
Contact: Copper Alloy
Shell: Copper Alloy
2. FINISH:
Contact: Gold 3u" Plated on Contact Area,
80u" Min.Tin Plated on Solder Tails Area,
50u" Min.Nickel Underplating Over All.
Shell: 50u" Min.Nickel Underplating Over All.
3. Specification:
3.1: Rated current: 1.5 A
Insulation Resistance:
1000MΩ Min. at 500V/DC for 1Minute.
Withstanding voltage: 500 VAC/minute
Contact Resistance: 30 m ohms Max.
3.2: MECHANICAL
Mating force: 35N Max.
Unmating force(Without lock):12N Min.
Durability: 3000 cycles.
4. Ordering information

USB-AF-DIP-352-HW

USB SERIES ————— Halogen Free,White
CONNECTOR TYPE ————— FOLLOW NUMBER
A TYPE FEMALE —————
CONNECTOR STYLE —————
DIP TYPE



3	外壳	GUB50B-2L1-NN12	铜壳镀可焊锡50u Min.	1PCS
2	端子	GUB43P-1J1-NP03	接触区镀金3u" 焊接区镀亮锡80u"Min.	4PCS
1	胶芯	HUB35T-1A6-WX00-H	PBT白色, 无卤	1PCS

A9	高端LOGO印字修改为GD-01	18.12.26	Lua	Stanly
A8	修改外壳侧弹及前脚结构	17.10.19	XCL	Stanly
A7	主体由GUB35T-1A5款改为A6款(改垫高)	17.09.12	Lzb	Stanly
版本	设定内容	日期	修改	核准
REV.	MODIFICATION	DATE	DRAW	APPROVE
				审核
				CHECKED

單位	mm	*. Inspection Item	HJ-Tech 东莞市皇捷通讯科技有限公司
比例	1:1	Ⓢ: Cp/Cpk and SPC Control Item	DONGJIAN HUANJIE COMMUNICATION TECHNOLOGY CO., LTD.
張數	1/1	TOLERANCE UNLESS OTHERWISE SPECIFIED	圖號
製圖	Lua	.X±0.25 .X'±3'	名稱
DRAWIN		.XX±0.20 .X'±1'	USB AF 4P 90度插板短体四叉鱼叉脚白色
		.XXX±0.10 .XX±	角法
			PROJ.
			客户图