

RoHS Compliant

NOTE:

1. Material:

Housing: PBT White;Thermoplastics,UL94V-0(Halogen free)  
 Contact: Copper Alloy  
 Shell: Copper Alloy

2. FINISH:

Contact: Gold Flash Plated on Contact Area,  
 80u" Min. Tin Plated on Solder Tails Area,  
 30u" Min.Nickel Underplating Over All.  
 Shell: 50u" Min.Nickel Underplating Over All.

3. Specification:

3.1: Rated current: 1.5 A

Insulation Resistance:

1000MΩ Min. at 500V/DC for 1Minute.

Withstanding voltage: 500 VAC/minute

Contact Resistance: 30mΩ Max.

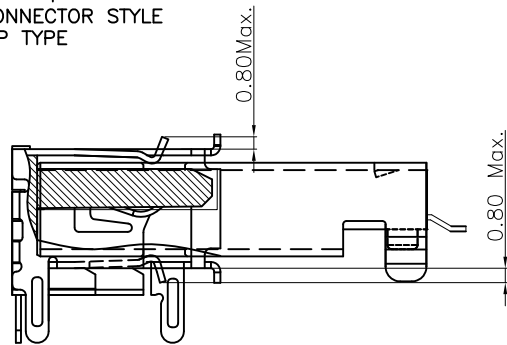
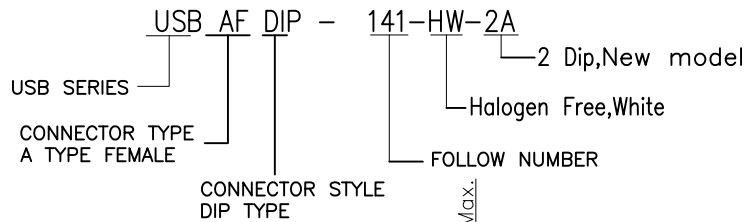
3.2: MECHANICAL

Mating force: 20N Max.

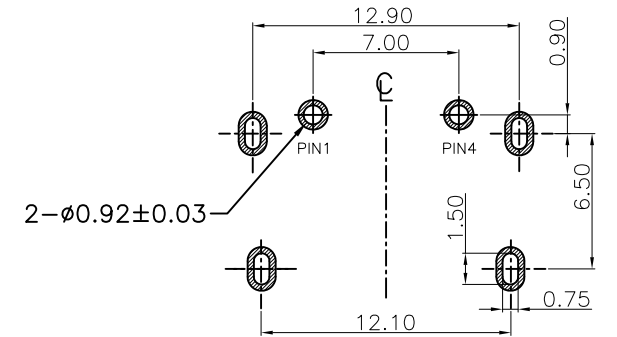
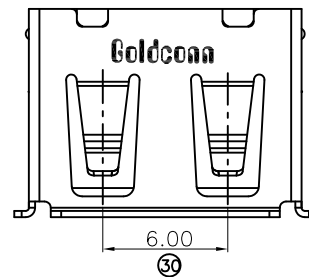
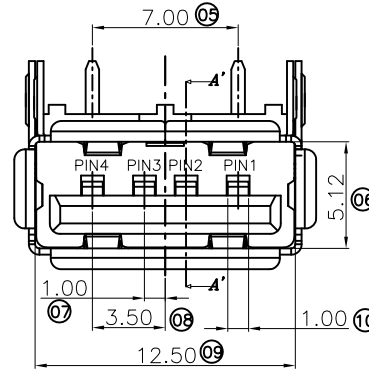
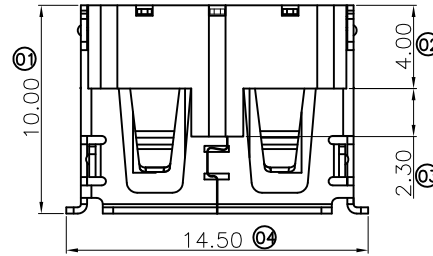
Unmating force:10-20N

Durability: 3000 cycles Min.

4. Ordering information

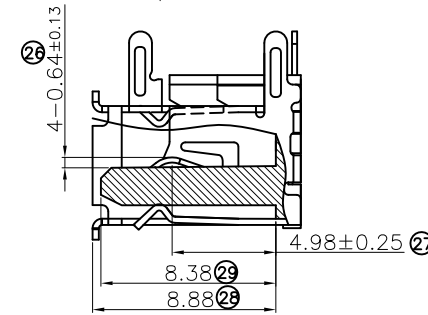
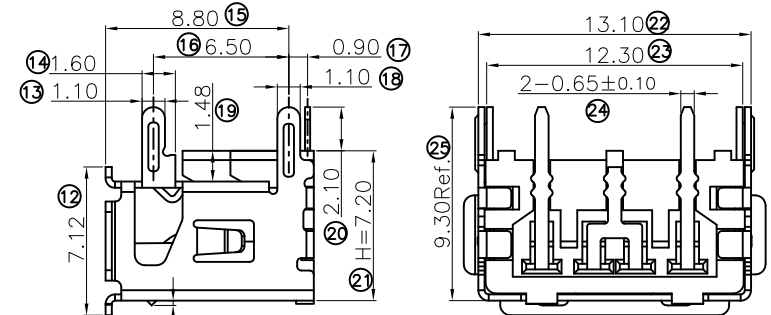


Plug insertion View



RECOMMENDED PCB LAYOUT(TOP VIEW)

GENERAL TOLERANCES:±0.05



SECTION A-A'

3	SHELL	GUB50B-1A2-SN12	銅壳镀可焊镍50u Min.	1PCS
2	CONTACT	GUB43P-1C2-NP01	接触区镀金1u" 焊接区镀亮锡80u"Min.	4PCS
1	HOUSING	HUB34T-1E1-WX00-H	PBT白色, 无卤	1PCS

單位	mm	*. Inspection Item	HJ-Tech 东莞市皇捷通讯科技有限公司
比例	1:1	Control Item	DONGGUAN HUANGJIE COMMUNICATION TECHNOLOGY CO., LTD.
張數	1/1	TOLERANCE UNLESS OTHERWISE SPECIFIED	圖號
製圖	XCL	.X±0.35 .X'±3'	名稱
版本	NEW ISSUE	.XX±0.25 .X'±1'	角法
REV.	設變內容 MODIFICATION	.XXX±0.10 .XX±	PROJ.
	日期	修改	核准
	DATE	DRAW	APPROVE
		核	審
		准	核
		核	核
		准	核
		審	核
		核	核
		准	核

圖號: USB AF DIP-141-HW-2A  
 名稱: USB AF 90° DIP SLIM前4后2 (U6IVE)  
 角法: 客户图