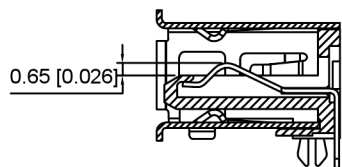
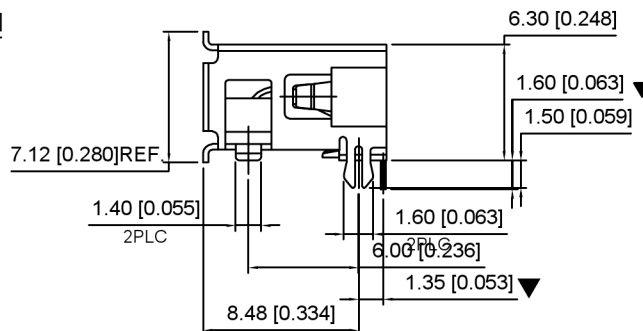
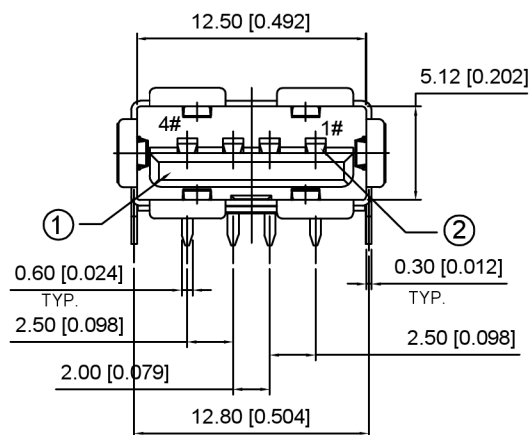


F: Flat

S: Scrolls



Housing Material: PA9T UL94V-0, Black
 Contact Terminal: COPPER ALLOY. (T=0.25mm)
 Metallic Shell: Brass(T=0.30mm)



U221-04XN-3BU06-X5

- 1: Au 1U"
- 5: Au 15U"
- 6: Au 30U"
- 1: PBT
- 2: PA6T
- 3: PA9T
- 4: LCP
- 5: BRASS
- S: Scrolls F: Flat
- W: WHITE B: BLACK

广东星坤科技股份有限公司

ΔX		日期
ΔX		日期
ΔX		日期
MARK		

文件工程章

REVISIONS	DESCRIPTION	DATE	REVISED	APPROVED	UNSPECIFIED TOLERANCES
					ANGULAR ±5°
					L ≤ 4 ±0.2
					4 < L ≤ 16 ±0.3
					16 < L ≤ 63 ±0.4
					L > 63 ±0.5



XKB INDUSTRIAL PRECISION CO., LIMITED

DSND	SCALE: N/A	MODEL TYPE: USB 2.0
DWN	VIEW:	PART NO.:
CHKD	UNIT: mm/in	DWG NO.: U221-04XN-3BU06-X5
APPD	SIZE: A4	WEIGHT SHEET REVISION
		1/1 A0