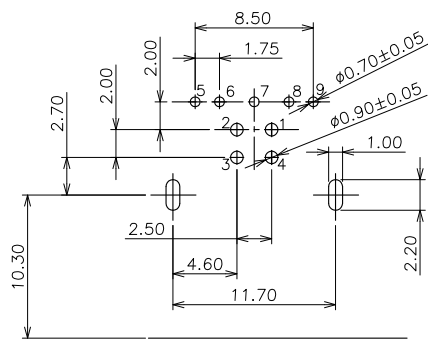
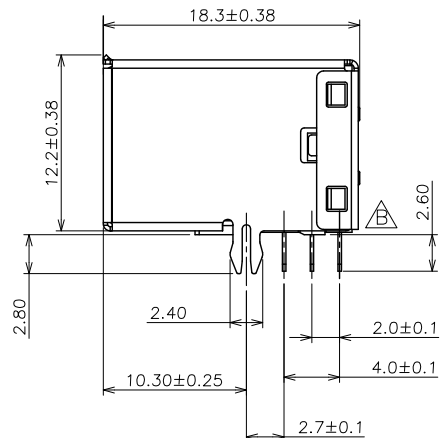
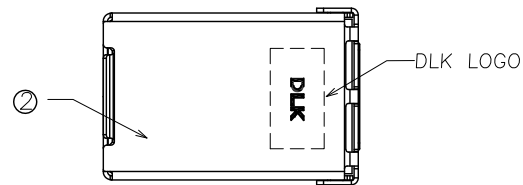
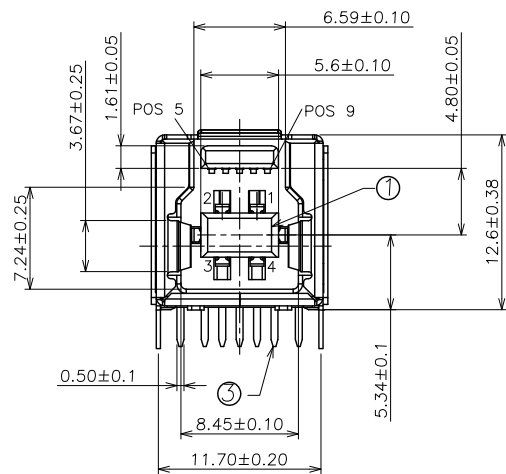


符合"DLK环境管理物质技术标准"

符合USB3.0协会规范标准"

工程变更通知单 ECN(DCN) NO.	版本 REV	日期 DATE	说明 DESCRIPTION	变更 CHANGE	核准 APPRO.
KSECN16032	A	20160523	NEW RELEASE	—	—
KSECN20016	B	20200423	1. 产品外壳材质由C2680改为SUS430 2. 后盖凸台取消	△ *2	王永辉 严成旺



PCB LAYOUT(TOP VIEW T=1.60)

U3B22 D-09 * ** Y N2 0 HF

① PRODUCTION CODE (产品编码):
U3B22: USB 3.0 BF DIP 12.6H

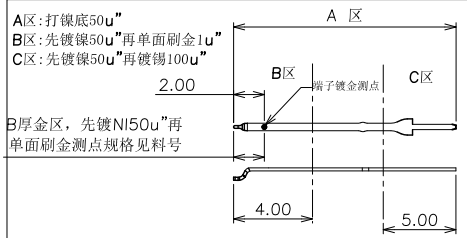
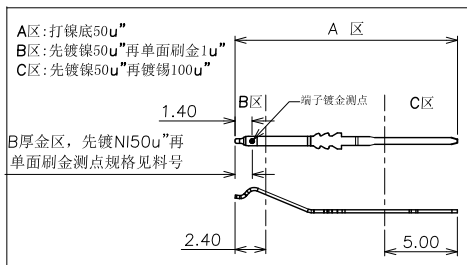
② CHARACTER (特征):
D:DIP TYPE

③ POSITION (位数):
09: 9PIN

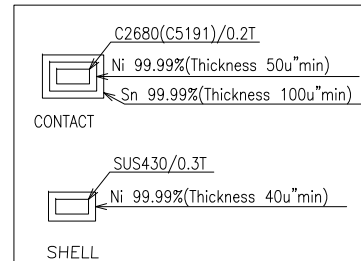
④ COLOR OF HOUSING(本体颜色):
L:BLUE
B:BLACK

⑤ PLATING OF CONTACT(端子电镀):
M1 : Au 1U" AND MATTE TIN 100U" PLATED
M4 : Au 15U" AND MATTE TIN 100U" PLATED
M5 : Au 30U" AND MATTE TIN 100U" PLATED

⑥ PACKAGE(包装):
Y :TRAY PACKAGE
⑦ PLATING OF SHELL(铁壳电镀):
N2 :Ni plated



电镀规格:



德力康电子科技有限公司
DLK DELIKANG ELECTRONICS TECHNOLOGY CO.,LTD

NO.	ITEM	Q'TY	DESCRIPTION	FINISH
4	COVER	1	PBT/PA9T 无卤	UL94V-0
3	CONTACT	9	C2680/C5191	Au PLATED
2	SHELL	1	SUS430	Ni PLATED
1	HOUSING	1	PBT/PA9T 无卤	UL94V-0

GENERAL TOLERANCE
UNLESS OTHERWISE NOTED

Angle	±2'
X.	±0.38
.X	±0.30
.XX	±0.25
.XXX	±0.15

C 名称	USB 3.0 BF DIP 12.6H			
档案名称	C-U3B22-00-HF	料号	U3B22D-09BM5YN20HF	
FILE NAME.		PART NO.		
DRAWING	王永辉	CHECKED	—	APPROVED 严成旺
UNIT:	mm	SCALE	1:1	SHEET: 1 of 1