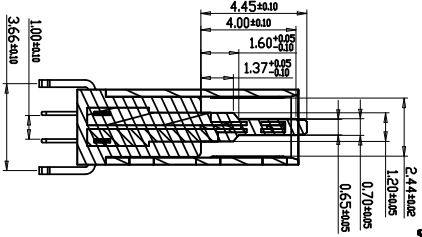
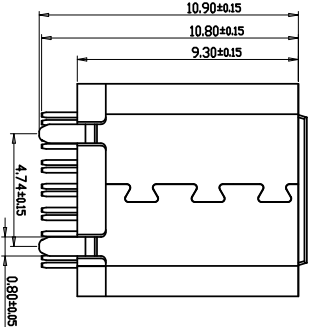
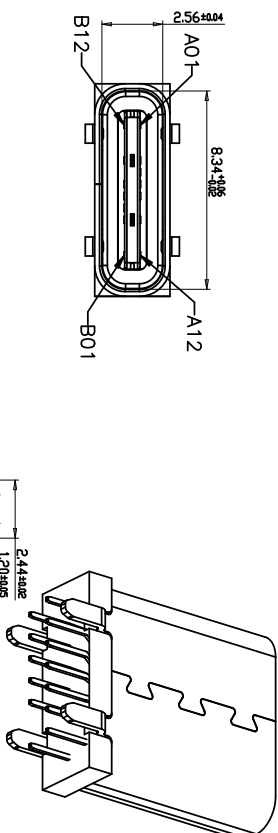
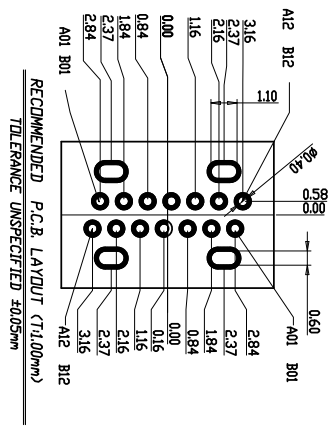


1	2	3	4	5	6	7	8	9	10	
RoHS							MAPX	MODIFICATION	DRW	DATE



截面 1-1



RECOMMENDED PCB LAYOUT (71.00mm)
TOLERANCE UNSPECIFIED ±0.05mm

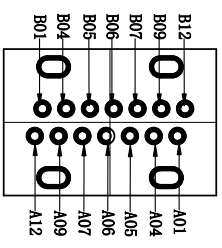
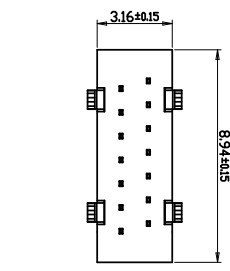
TABLE 1:

NO.	PART NAME	QTY	MATERIAL	DESCRIPTION	REMARK
①	Shell	1	SUS 304	NI PLATING	T=0.30mm
②	MID PLATE	1	SUS 304	NI PLATING	T=0.15mm
③	Terminal	16	C2680	Auto' PLATING	T=0.15mm
④	Housing	3	LCF 1301		

产品图

深圳市精拓金电子有限公司
Shenzhen Jing Tuo Jin Electronics Co., Ltd.

公差一览表		单位		制图		制图料号	
TOLERANCE UNLESS OTHERWISE		UNITS		DRAWING		PRODUCT PART NO.	
X.	±0.25	X.	MM	审核	林属升	918-4688K2029E50002	
.XX	±0.20	X.		日期	郭怡富	产品名称	TYPE-33 1母座四脚直立式基板
.XXX	±0.15	.XX		日期	黄国荣	PRODUCT NO.	1.0长 9.310C 黑胶 14PIN
	±0.10	.XXX		DATE		角法	
						版本	AO



- NOTES:
1. MATERIAL: SEE "TABLE 1";
 2. FINISH: SEE "TABLE 1";
 3. ELECTRICAL :
 - 3-1. CONTACT CURRENT RATING :
3A (VIBUS PIN 1.5A/PIN MAX),
3A (GND PIN 1.25A/PIN MAX), 0.25A/PIN (OTHER PIN).
 - 3-2. INSULATION RESISTANCE :
100 MEGOHMS MIN. AT 250VDC.
 - 3-3. DIELECTRIC WITHSTANDING VOLTAGE :
100VAC MIN.
 - 3-4. LOW LEVEL CONTACT RESISTANCE :
INITIAL 40mΩ MAX.
AFTER 50mΩ MAX.
 4. MECHANICAL CHARACTERISTICS :
 - 4-1. MATING FORCE: 5~20N;
 - 4-2. UNMATING FORCE: 6~20N (INITIAL),
6~20N (AFTER 10000 CYCLES);
 - 4-3. DURABILITY : 10,000 MATING CYCLES.
 - 4-4. OPERATING TEMPERATURE : -40° C TO +80° C