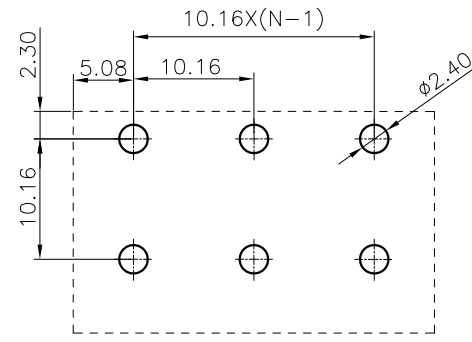
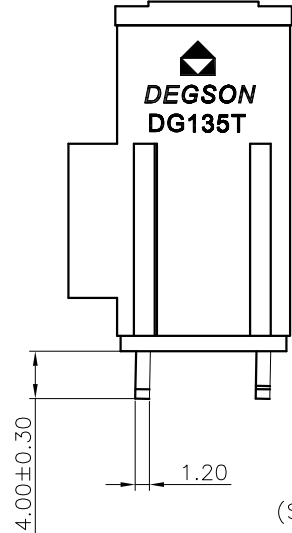
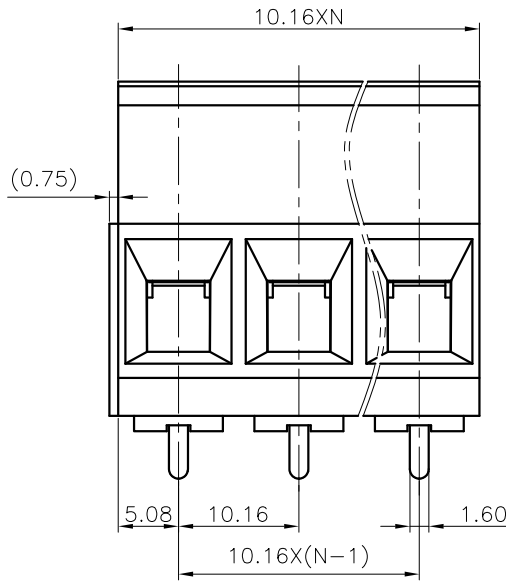
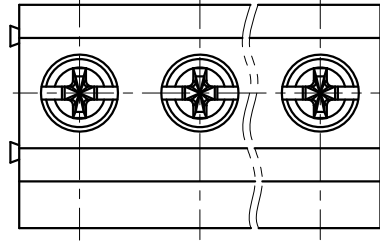
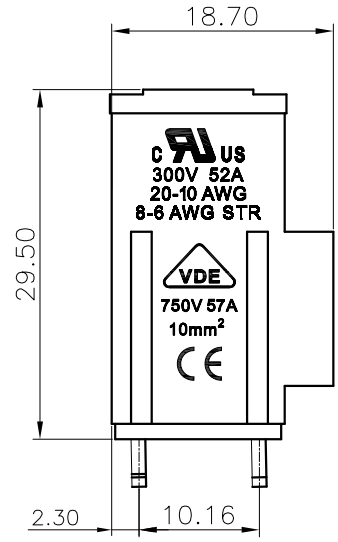


REVISION RECORD				
REV	ECN	DESCRIPTION	DRFT	DATE



PCB LAYOUT



NOTES1:  
 UL Standard  
 1.Rated Voltage/Current : 300V / 52A  
 2.Torque Value : M4 , 10.53Lb.in  
 3.Wire Range : 20~6AWG

IEC Standard  
 1.Rated Voltage/Current : 750V / 57A  
 2.Torque Value : M4 , 1.2N.m  
 3.Wire Range : 10mm<sup>2</sup>

NOTES2:  
 1.Dimension shall be interpreted per ASME Y14.5-2009  
 2.Pitch : 10.16mm, Poles : N=02~XXP  
 3.Stripping length : 10~11mm  
 4.Withstanding Voltage : AC3000V/1Min.  
 5.Operating temperature: -30°C~+120°C  
 6.Undimensioned Tolerances:

Pitch range in mm			Nominal dimension range in mm				Tolerances	
TO	Over TO	Over TO	TO	Over TO	Over TO	Over TO	0.1/10	∠
6	10	24	30	60	100	150	<	
±0.15	±0.20	±0.30	±0.30	±0.50	±0.70	±1.00	±1.30	±2°

7.RoHS Compliance

DG135T - 10.16 - XXP - 1Y - 00A (H)  
 (Series No.)(Pitch) (Poles) (Single Pitch)(Color):1.(Grey)  
 2.(Blue)  
 3.(Black)  
 4.(Green)  
 5.(Orange)  
 6.(Red)  
 7.(Transparent)  
 8.(Yellow)  
 9.(White)

DETACHED LISTS	PART NO.:	/			宁波高松电子有限公司 NINGBO DEGSON ELECTRICAL CO., LTD	
	APPD:	/			NAME: DG135T-10.16-XXP-1Y-00A(H)	
	CHKD:	/			TITLE: CUSTOMER DRAWING	
	DRFT:	/			REV	DO
	THIRD ANGLE PROJECTION				DRAWING NO.:	1/1
				MM (INCH)	SCALE: 1:1	
				DO NOT SCALE DRAWING		