

MATERIALS AND FINISHES

BODY: BRASS
 PLATED: NICKEL (70u-in MIN)

CENTER CONTACT: PHOSPOR BRONZE
 PLATED: SELECTIVE GOLD (1u-in MIN AT TIP)
 PLATED: TIN (50u-in MIN REST OF PART)

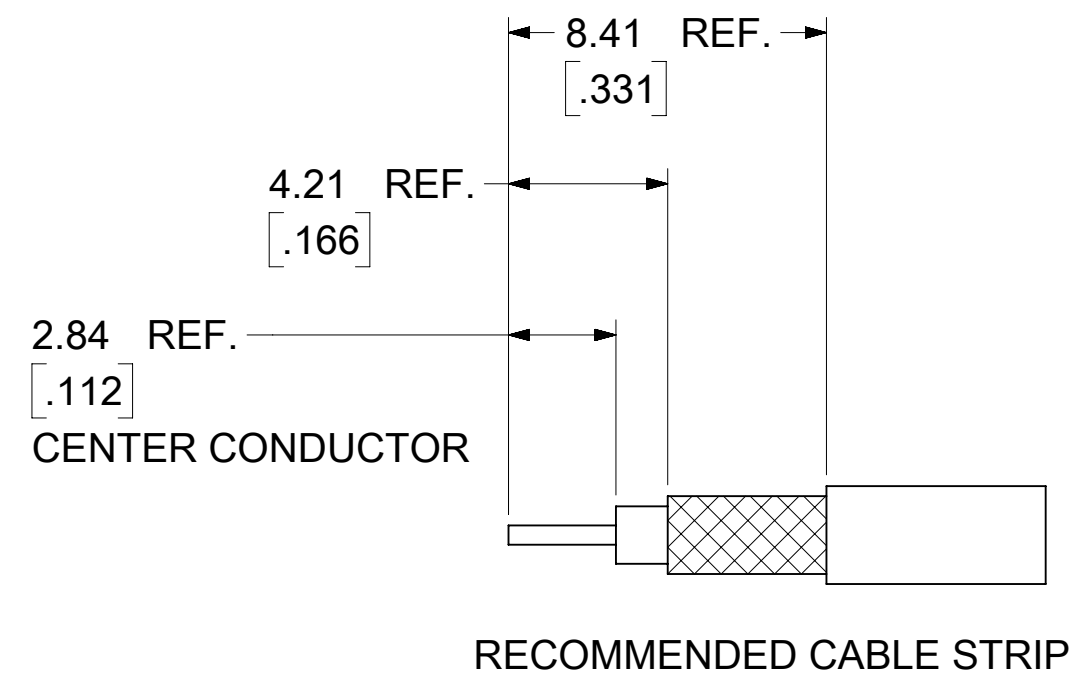
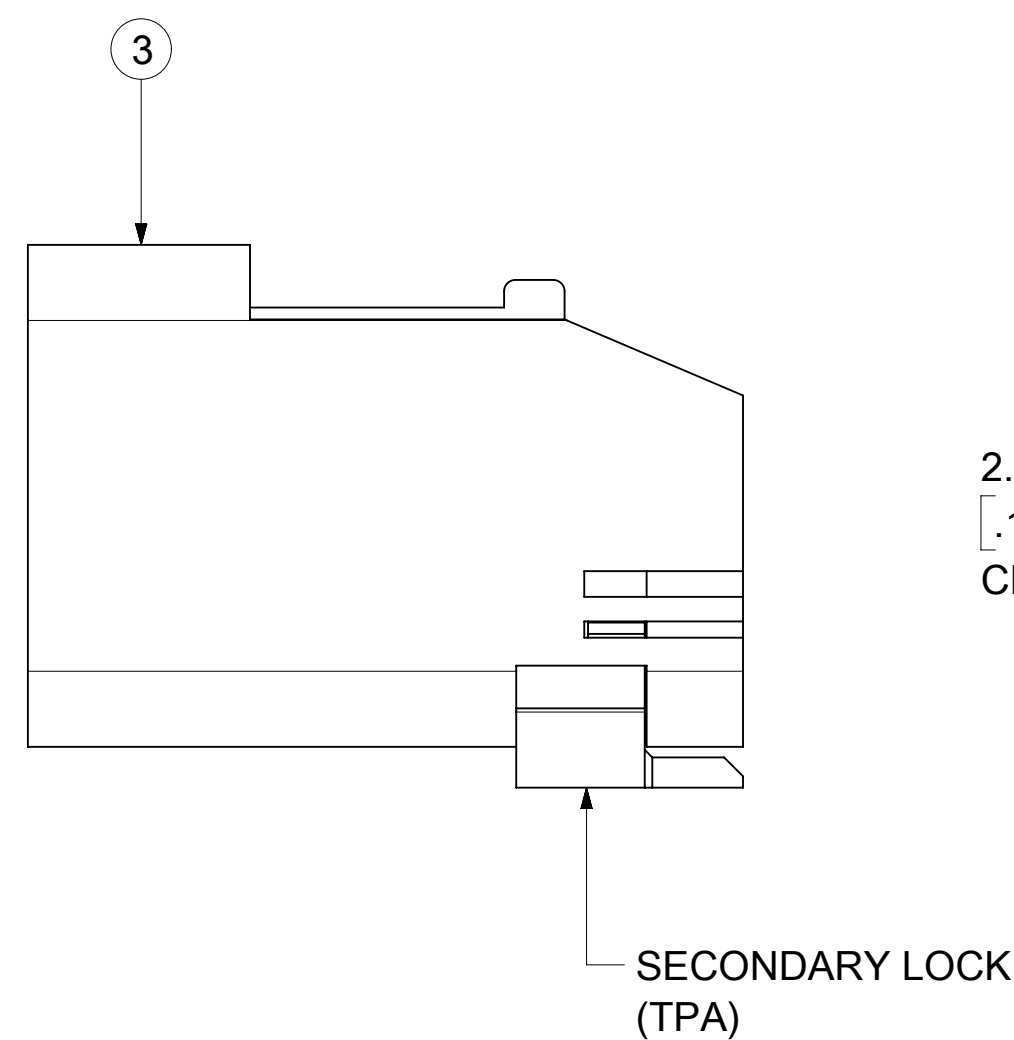
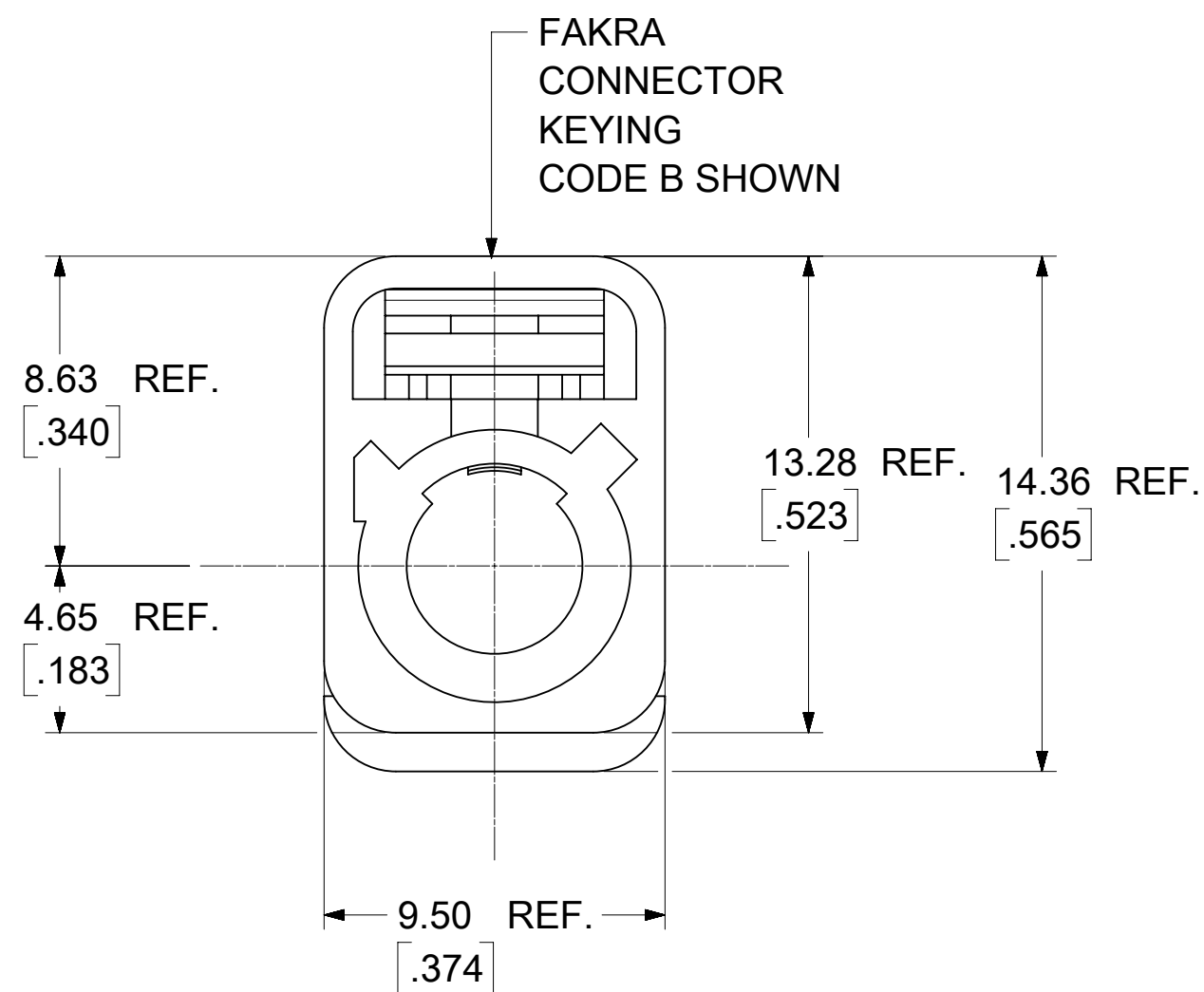
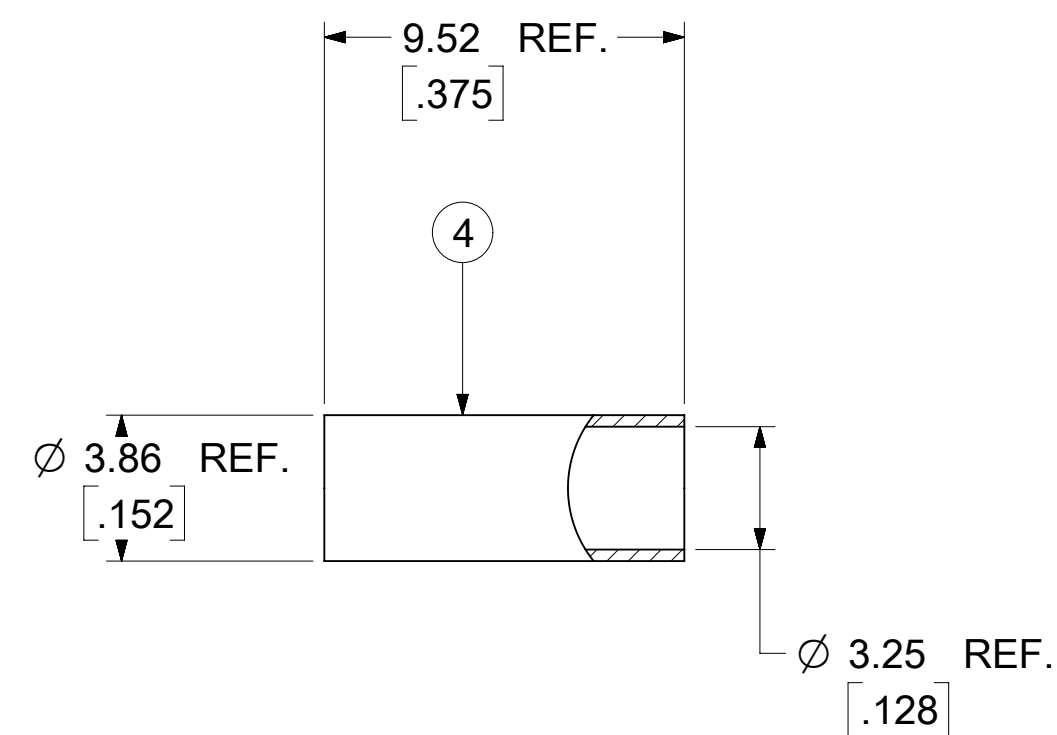
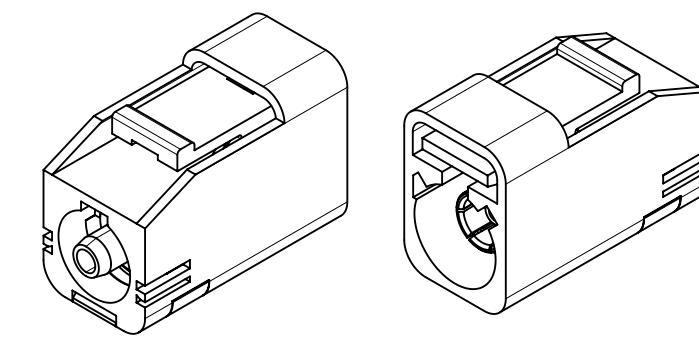
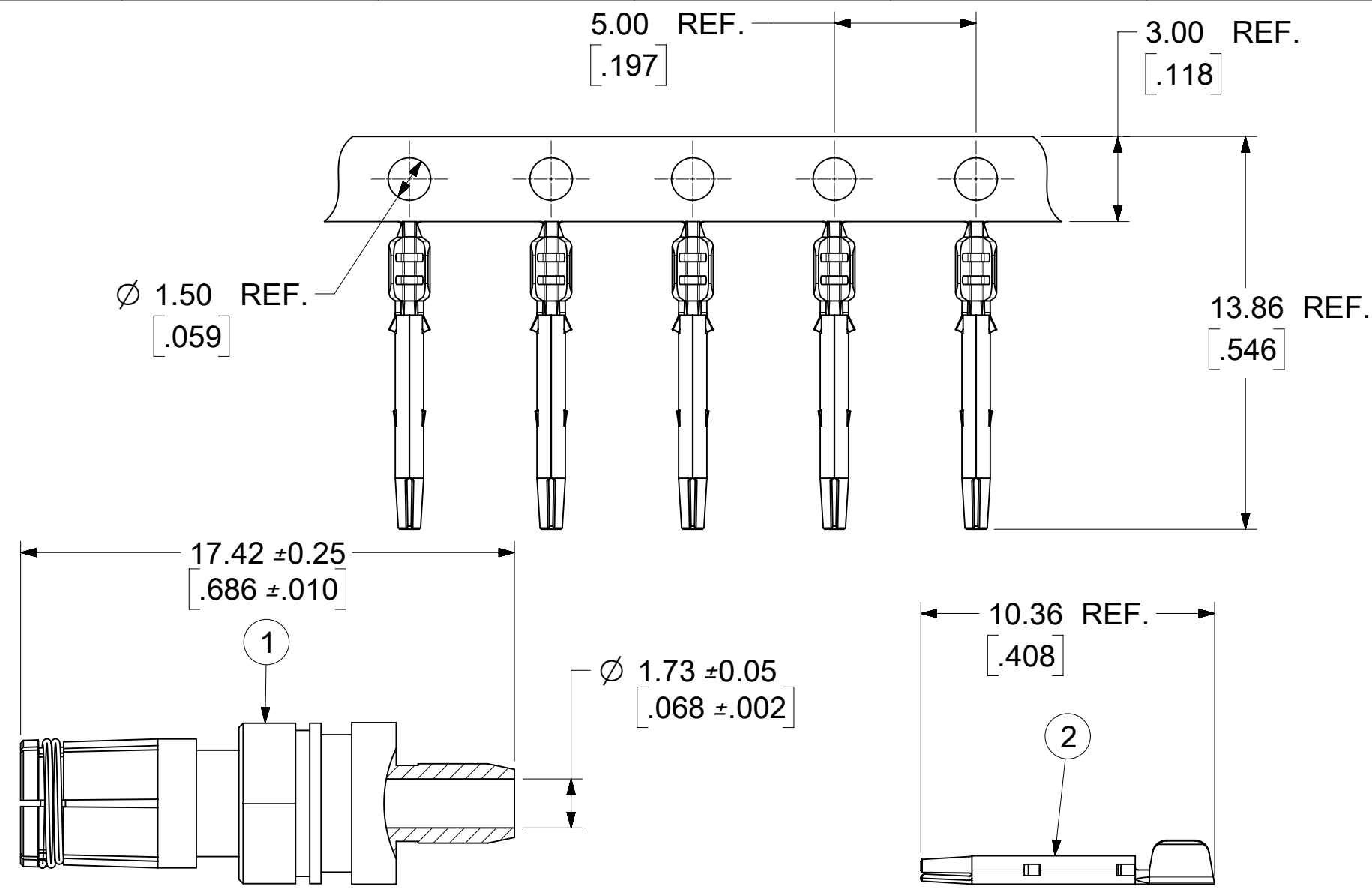
CRIMP TUBE: BRASS
 PLATED: NICKEL (70u-in MIN)

OUTER CASING: NYLON 66 OR EQUIVALENT
 KEYING: SEE TABLE
 COLOR: SEE TABLE

INSULATOR: POLYPROPYLENE

PACKAGING BY BAG

- NOTE:
- 250 PCS (89618-43XX) PER ZIPLOCK BAG.
 NOTICE: THE BAG MUST BE COMPLETELY SEALED.
 - STORAGE CONDITIONS:
 TEMPERATURE -10° TO 40° C HUMIDITY <75%



4	89674-0805	CRIMP TUBE	1
3	SEE SHEET 2	SHROUD WITH TPA	1
2	89538-0251	CENTER CONTACT	1
1	89618-4340	SMB PLUG STR. FOR RG316	1
	PART NO.	DESCRIPTION	QTY

PS-89675-331	PRODUCT SPECIFICATION
DIN 72594-1	INTERFACE SPECIFICATION
SPECIFICATION	DESCRIPTION

2018/04/18	C2	REMOVE TITLE II PER 11896
2017/01/23	C1	ADDED TOLERANCE
DATE	REV.	DESCRIPTION

THIS DRAWING CONTAINS INFORMATION THAT IS PROPRIETARY TO MOLEX ELECTRONIC TECHNOLOGIES, LLC AND SHOULD NOT BE USED WITHOUT WRITTEN PERMISSION

SYMBOLS	DIMENSION UNITS	SCALE	CURRENT REV DESC:
	HYBRID	NTS	
▽ = 0	GENERAL TOLERANCES (UNLESS SPECIFIED)		EC NO: 173731 DRWN: ELIN CHK'D: APPR:
▽ = 0	ANGULAR TOL ± 2.0°		
▽ = 0	4 PLACES	±	INITIAL REVISION: DRWN: ELIN APPR: YCHENG
▽ = 0	3 PLACES	±	
▽ = 0	2 PLACES	±	2018/04/16 2015/05/29 2015/08/26
▽ = 0	1 PLACE	±	
▽ = 0	0 PLACES	±	
▽ = 0	DRAFT WHERE APPLICABLE MUST REMAIN WITHIN DIMENSIONS		THIRD ANGLE PROJECTION
▽ = 0			DRAWING SERIES
		C-SIZE	73403

FAKRA PLUG STR. FOR RG316/174 CABLE FAKRA -PC

PRODUCT CUSTOMER DRAWING

DOCUMENT NUMBER	DOC TYPE	DOC PART	REVISION
SD-73403-692	PSD	001	C2
MATERIAL NUMBER	CUSTOMER	SHEET NUMBER	
SEE SHEET 2	GENERAL MARKET	1 OF 2	

