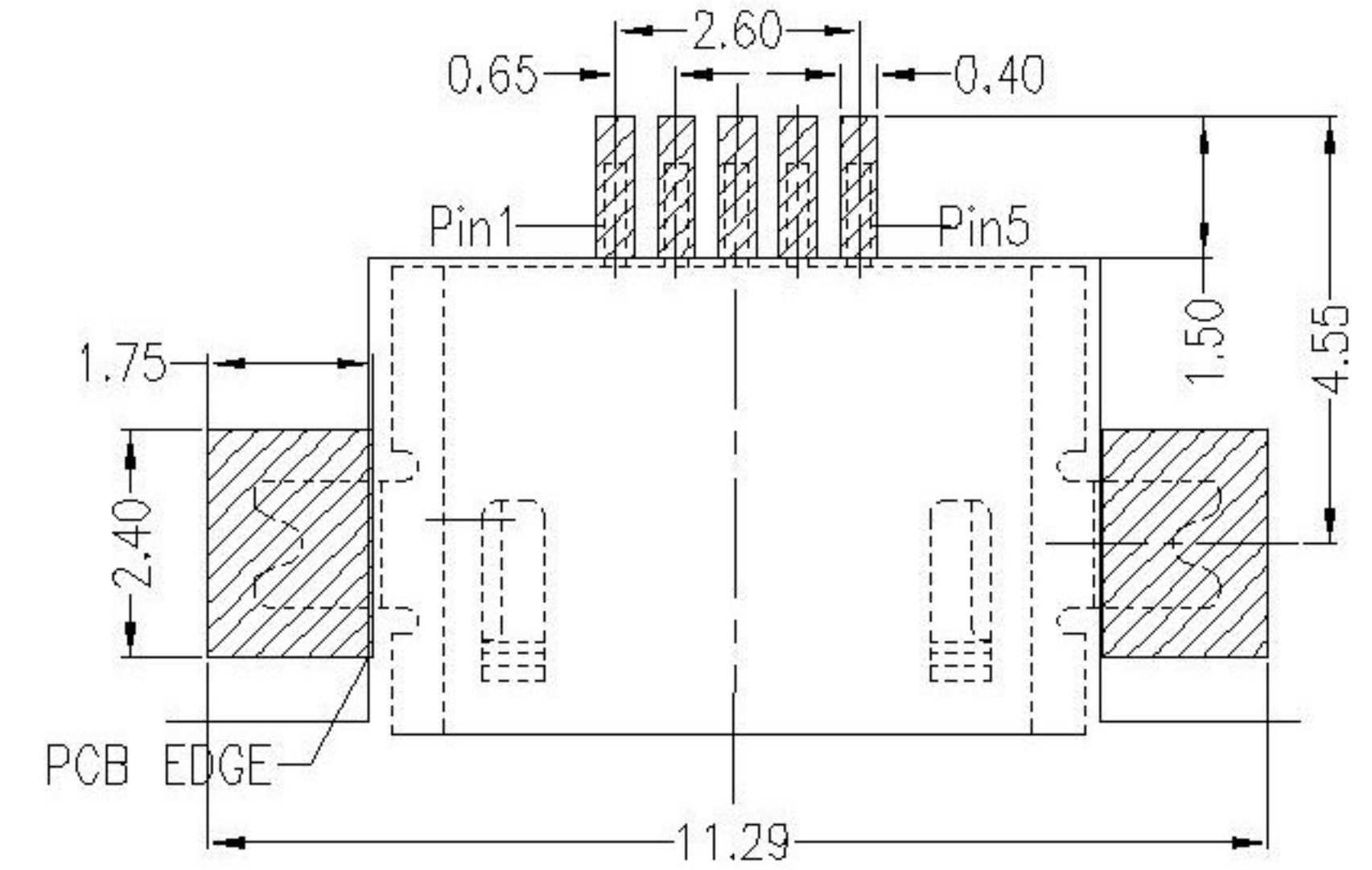
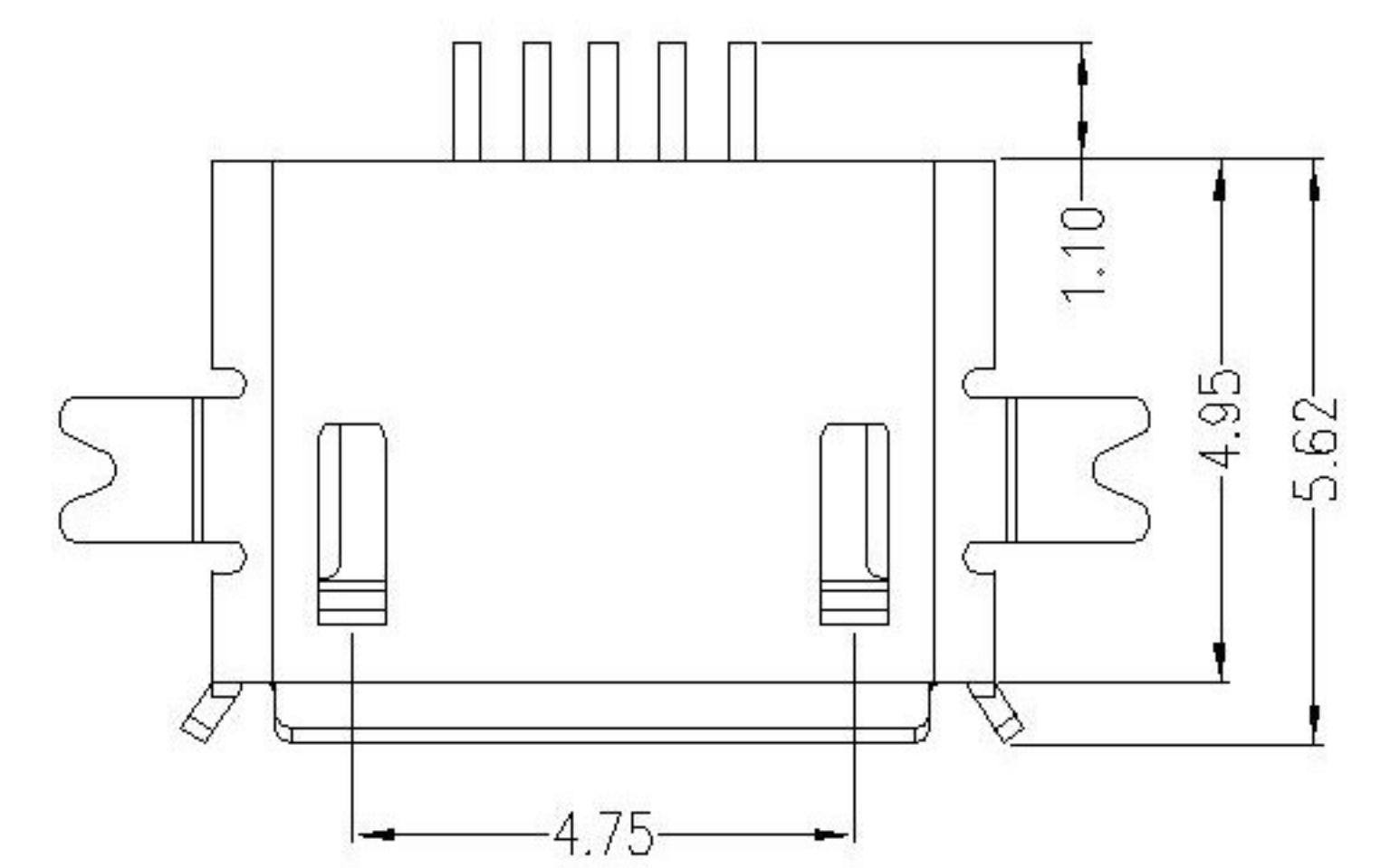


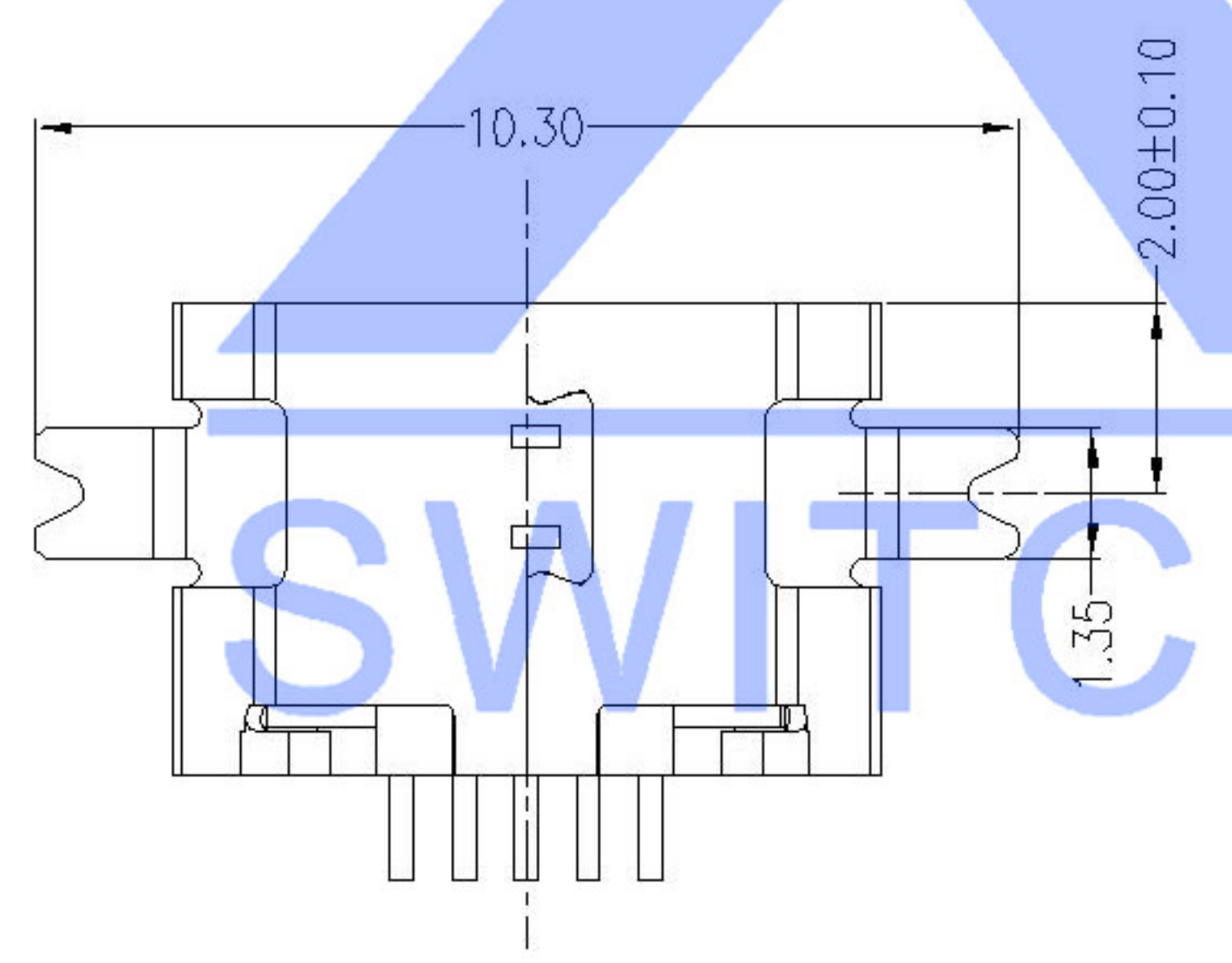
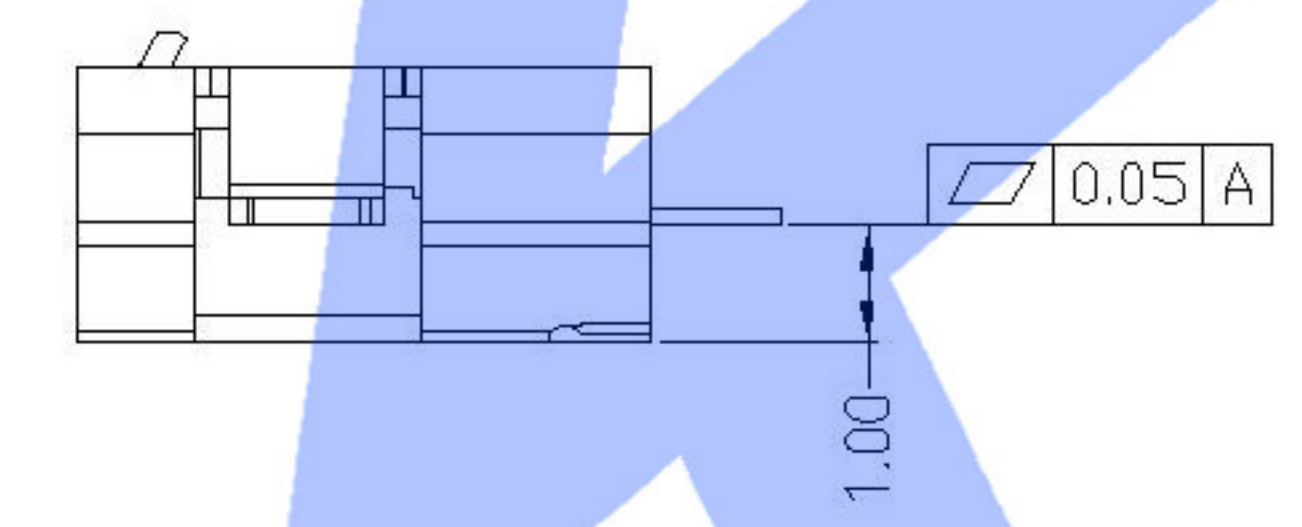
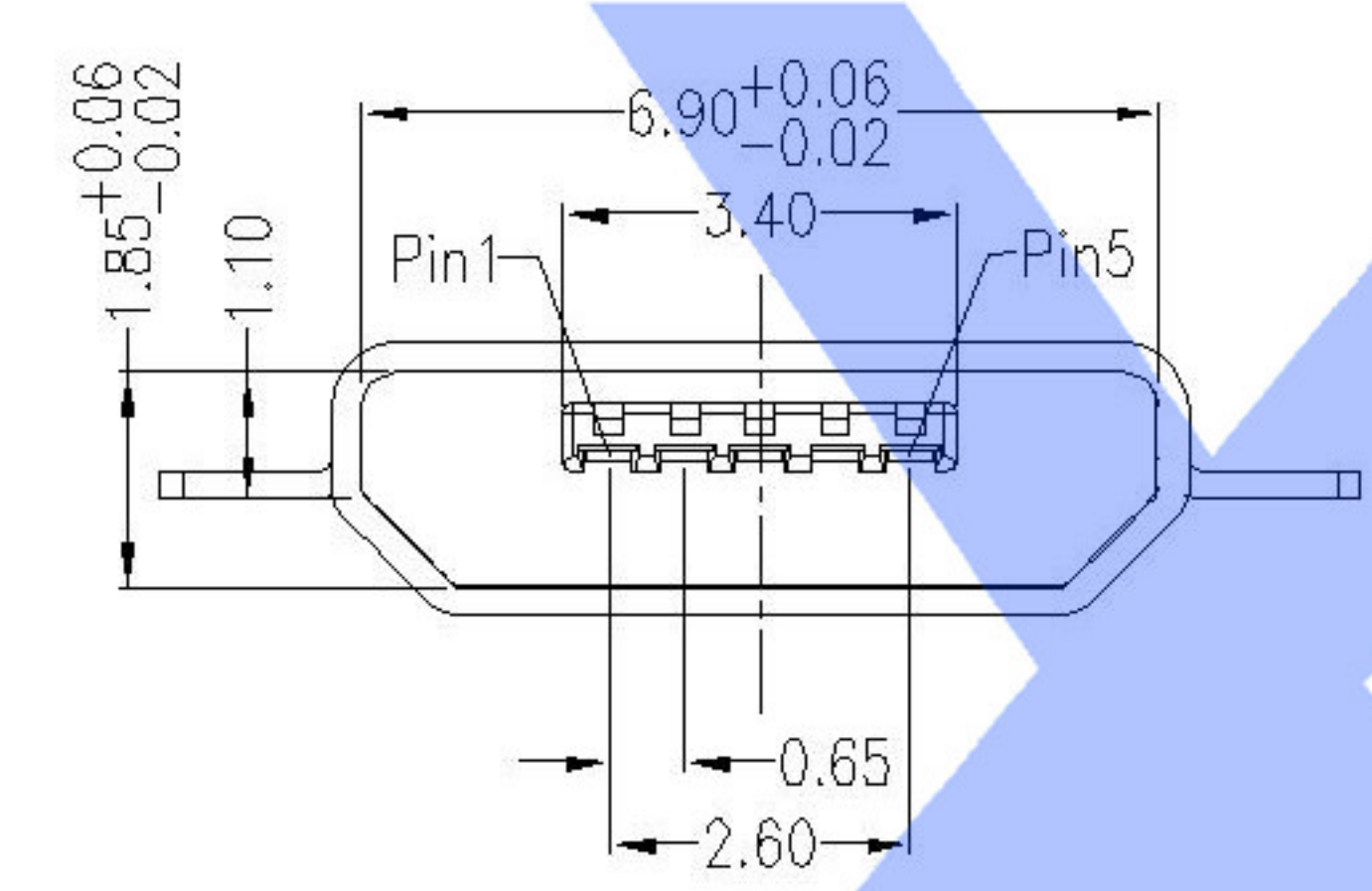
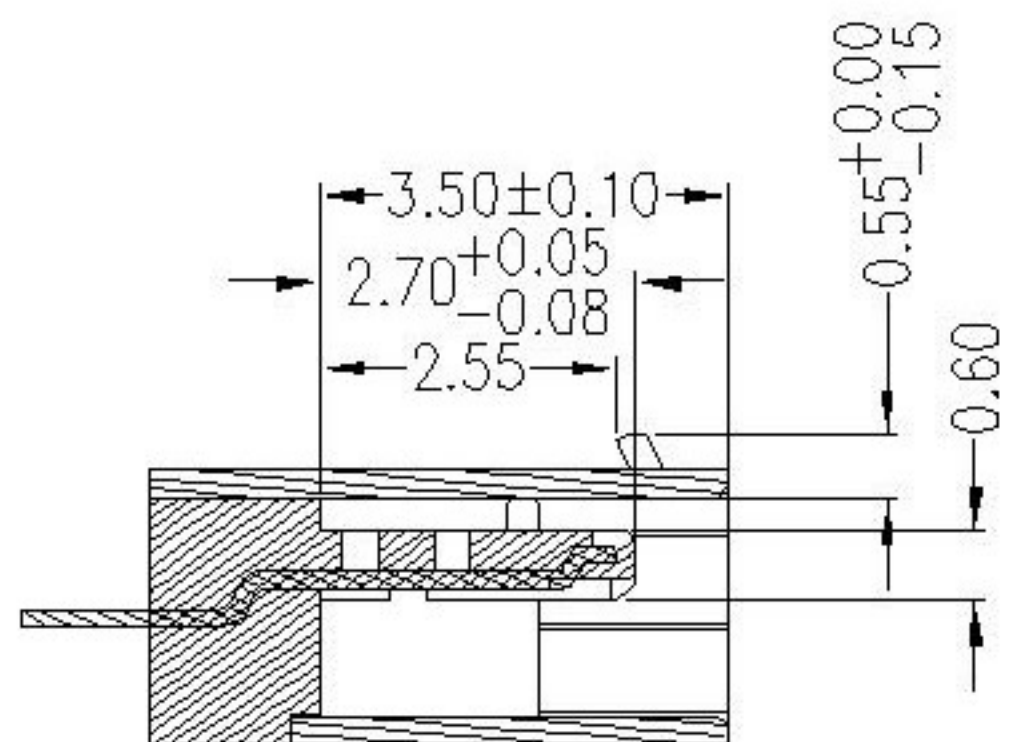
Flat (F)



RECOMMENDED PCB LAYOUT



Scrolls (S)



**Material**

Housing Material: LCP, UL94V-0, black

Contact Terminal: Copper Alloy

Metallic Shell: Brass

**Electrical**

Voltage Rating: 30 V AC

Current Rating: Signal (Pins 2,3,4): 1.0A, Power (Pins 1,5): 1.8A

Contact Resistance: 30mΩ Max

Insulation resistance: 1000MΩ Min

Dielectric withstanding voltage: 250V AC/Minute

**Mechanical**

Durability: 3,000 cycles

Mating Force: 35N (3.57Kgf) Max

Unmating Force: 8N (0.82Kgf) Min.

SWITCH CONNECTOR

**U253-05XX-4BH85-X-B**

1: Au 1U"  
6: Au 30U"  
T: TIN  
N: NICKEL

B: Brass  
S: Scrolls F: Flat  
B: BLACK W: WHITE

1: PBT  
2: PA6T  
3: PA9T  
4: LCP

					DSND		DATE		SCALE: N/A	MODEL TYPE: MICRO USB	
					ANGLAR	±5°	DWN	DATE	VIEW:	PART NO.: U253-05XX-4BH85	
					L ≤ 4	±0.2	CHKD	DATE	UNIT: mm	DWG NO.: U253-05XX-4BH85-XB	
					4 < L ≤ 16	±0.3	APPD	DATE	SIZE: A4		
					16 < L ≤ 63	±0.4					
					L > 63	±0.5					
					UNSPECIFIED TOLERANCES						
					XKB INDUSTRIAL PRECISION CO., LIMITED						
					WEIGHT	SHEET	REVISION				
					1.0g	1/1	A0				
MARK	DESCRIPTION	DATE	REVISED	APPROVED							
REVISIONS											
www.xk-dg.cn www.1k0k.com www.1k0k.cn											