

8

7

6

5

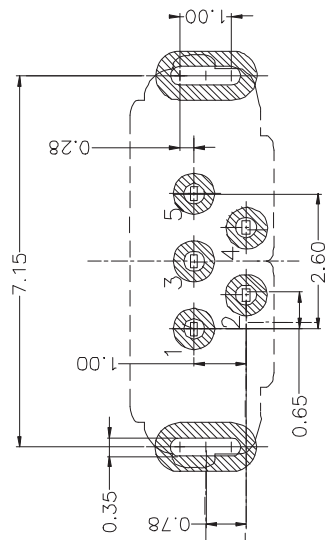
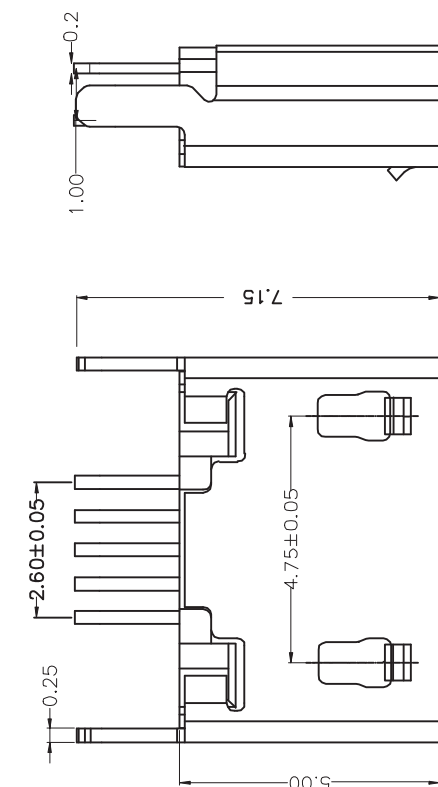
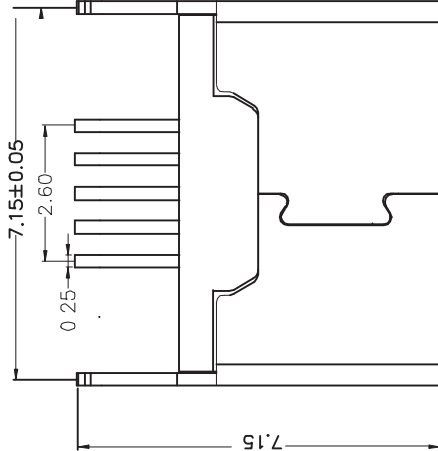
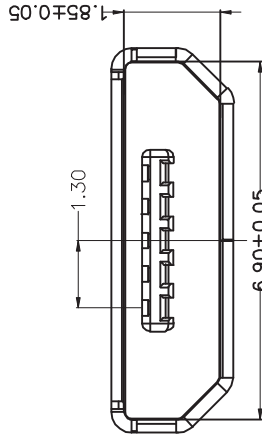
4

3

2

1

REV.	Q'TY	ECN. NO.	APR.	DATE
X0	--	FIRST RELEASE	J0BS	2015.02.16



RECOMMENDED PCB LAYOUT(TOP VIEW)  
GENERAL TOLERANCES:±0.05

**Specifications:**

- 1. Electrical:**
- 1.1 Current Rating:1.8A/contact terminal
  - 1.2 Voltage Rating:30V DC
  - 1.3 Contact Resistance:50 milliohms Max
  - 1.4 Dielectric Withstanding Voltage:  
300 V AC AT Sea Level
  - 1.5 Insulation resistance:100MEGA ohms MIN
- 2. Mechanical:**
- 2.1 Connector Mate and Unmate Force  
Mate force:3.0kgf (Max)  
Unmate force:0.7kgf (MIN)
  - 2.2 Durability:2000 cycles
- 3. Material:**
- 3.1 Housing:  
Hing Temperature Thermaplastics,  
UI 94V-0 LCP Black
  - 3.2 Contact C5191-EH
  - 3.3 Shell: SUS201
- 4. PLATING:**
- 4.1 Contact: Plated Gold in Mating Area;  
Tin On Solder Tails
  - 4.2 Shell:Nickel 50u~Min Plated.

DONGDUAN DEALON ELECTRONICS CO.,LTD	
APR.	TITLE: Micro USB 5P/1F 直立180° DTP 2.0平口
CHK.	P/N: USB-MR-D-029
DRA.	PROJ.  CUSTOMER DRAWING
J0BS	SIZE A4 SCALE: FREE SHEET 1 / 1 REV. X0
2015.02.16	

8

7

6

5

4

3

2

1

F

E

B

A

F

B

A