

RoHS & HF Compliant

NOTE:

- Material:  
Housing: Thermoplastics,UL94V-0;PBT,White(Halogen Free)  
Contact: Copper Alloy  
Inner Shell: Copper Alloy  
Outer Shell: LCP-E130i,Black;Thermoplastics,UL94V-0,T>0.45mm,(Halogen free)
- Finish:  
Contact: Glod Flash Plated on Contact Area,  
80u" Min.Tin Plated on Solder Tails Area,  
50u" Min.Nickel Underplating Over All.  
Shell: 50u" Min.Nickel Underplating Over All.
- Specification:  
3.1: Rated current: 1.5 A  
Insulation Resistance:  
1000MΩ Min. at 500V/DC for 1Minute.  
Withstanding voltage: 500 VAC/minute  
Contact Resistance: 30mΩ Max.  
3.2: MECHANICAL  
Mating force: 20N Max.  
Unmating force:10~20N.  
Durability: 3000 cycles Min.
- Ordering information

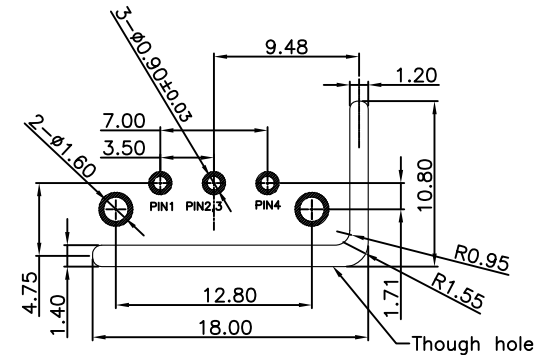
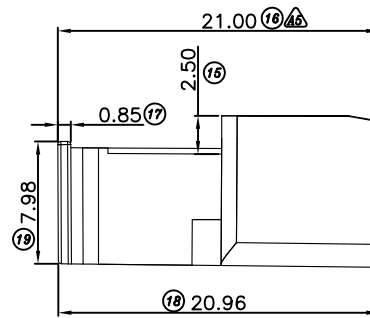
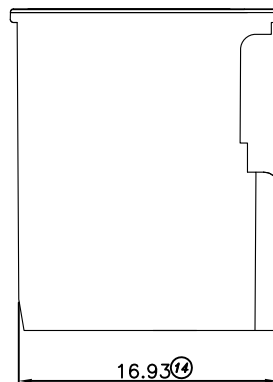
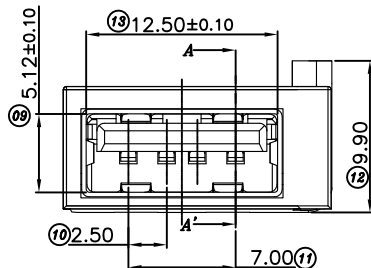
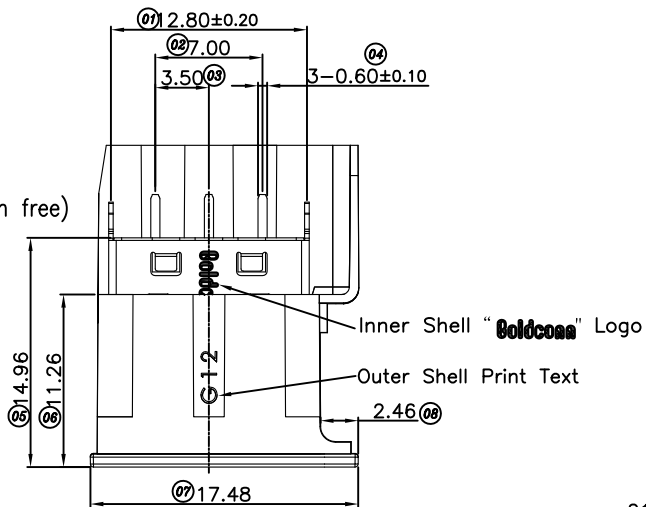
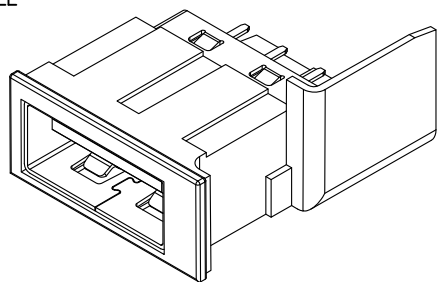
USB-AF-DIP-251-HW-3L

USB SERIES ————  
CONNECTOR TYPE ————  
A TYPE FEMALE

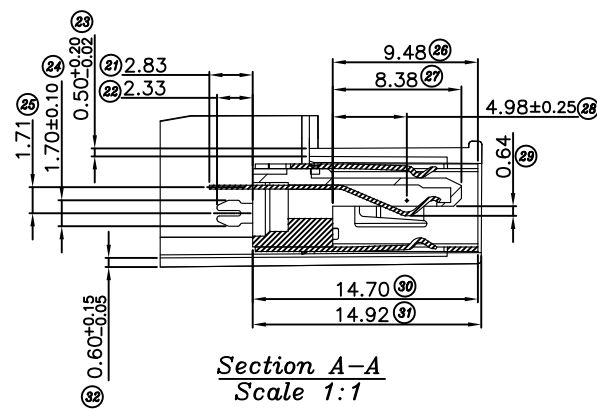
3 dip(Terminal),  
Outer Shell:LCP-E130i  
Halogen Free,White

FOLLOW NUMBER

CONNECTOR STYLE  
DIP TYPE



RECOMMENDED PCB LAYOUT(TOP VIEW)  
GENERAL TOLERANCES:±0.05



Section A-A  
Scale 1:1

4	Outer Shell	HUB42L-1E1-BX00-H	LCP-E130i, 黑色, 无卤	1PCS
3	Inner Shell	GUB25B-1F2-SN12	铜壳镀可焊镍50u Min.	1PCS
2	Terminal	GUB26P-1H1-NP01	接触区镀金1u" 焊接区镀亮锡80u"Min.	4PCS
1	Housing	HUB05T-1A3-WX00-H	PBT,White, 无卤	1PCS

A5		Outer Shell shorten 1mm	19.03.15	Lua	Ysh	单位 UNIT	MM	☑ Inspection Item	HJ-Tech 东莞市皇捷通讯科技有限公司 DONGGUAN HUANGJIE COMMUNICATION TECHNOLOGY CO., LTD.	
A4		Outer Shell Add Print Text	17.07.04	XCL	Stanly	比例 SCALE	1:1	■ Cp/Cpk and SPC Control Item	图号 DWG NO.	
A3		Modify Outer Shell	17.06.08	Lxb	Stanly	张数 SHEET	1/1	TOLERANCE UNLESS OTHERWISE SPECIFIED	名称 TITLE	
A2		Add DIM Control	16.02.25	Xcl	Stanly	制图 DRAWING	XCL	.X±0.30 .X'±3'	USB AF 180° FEMALE	
版本 REV.	设置内容 MODIFICATION	日期 DATE	修改 DRAW	核准 APPROVE	审核 CHECKED			.XX±0.25 .X'±1'	图例 PROJ.	
								.XXX±0.10 .XX±	客户图	