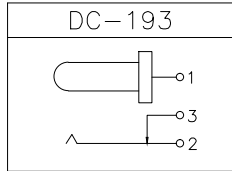
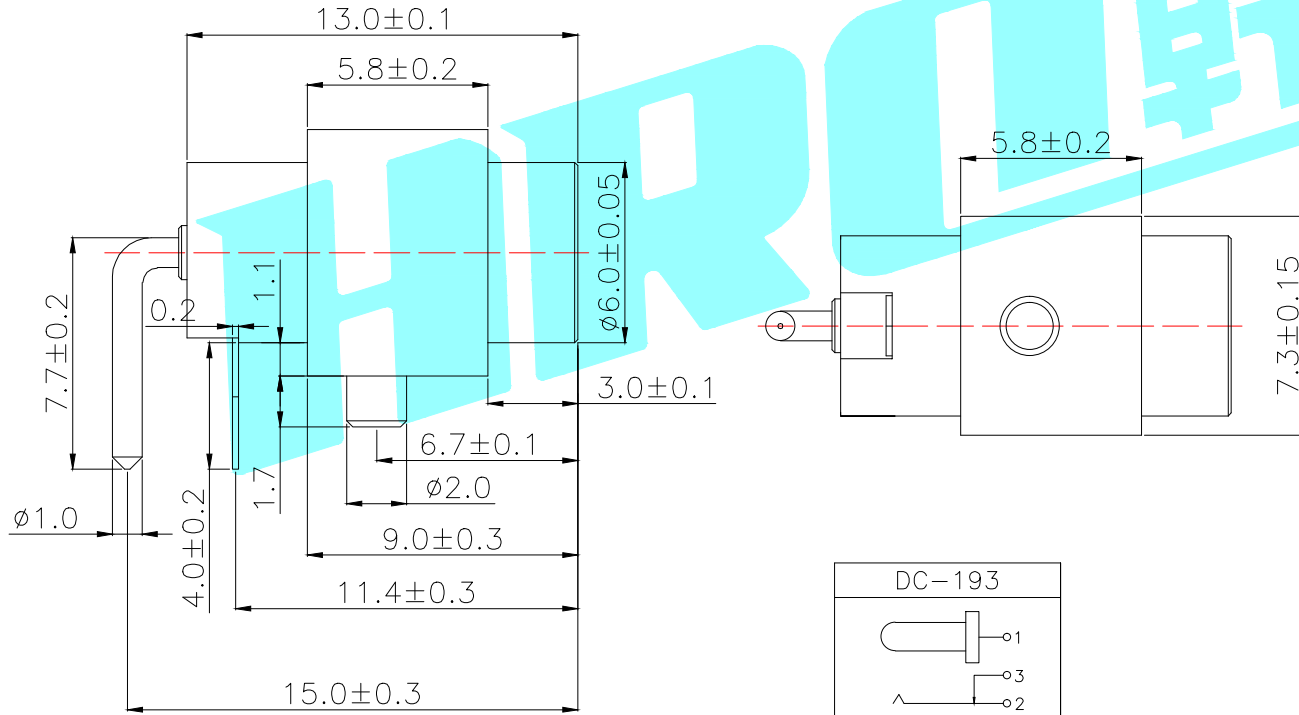
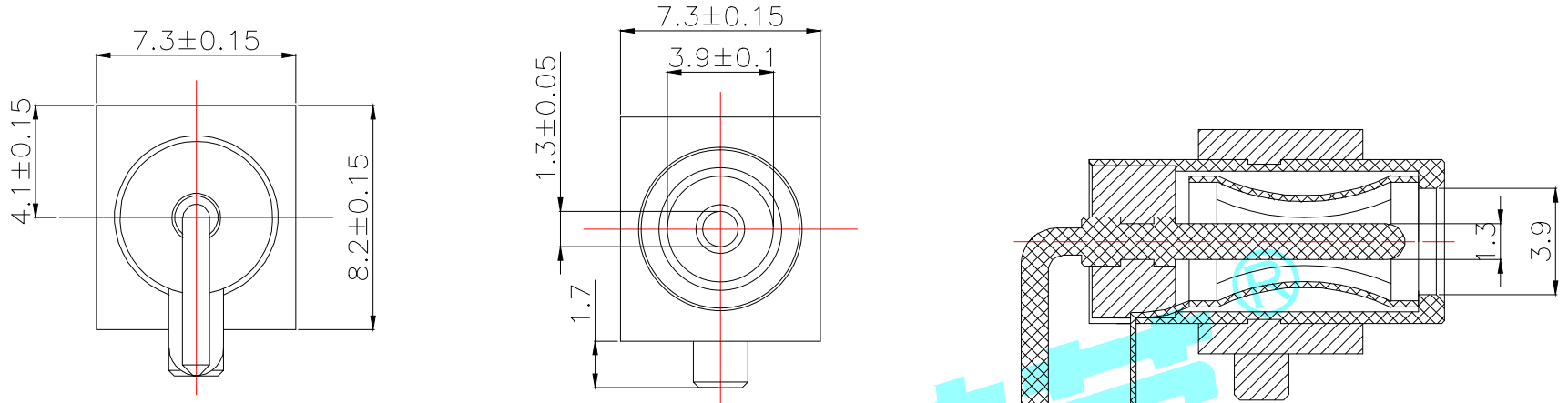


ROHS



Rating:3A 24V DC
 Contact Resistance: 30 mΩ Max.
 Operating temperature:-20℃~70℃
 Operating force:3-20N
 Operating Life:5,000cycles

②	Terminal	—	3	Brass	Ni Plating	—
①	Housing	—	1	PBT	Black	—
ITEM	PART NAME	TER'NO.	QTY.	MATERIAL	FINISHING	REMARK

APPROVALS		DATE		 ELECTRONICS CO.,LTD					
DRAWN	J.X.Zhang	2013/11/11					TITLE:	PHONE JACKS	
CHECKED				PART NO.	DC-193				
APPROVALS				TOLERANCES ARE	30~以上 ±0.30 10~30 ±0.20 5~10 ±0.15 ~ 5 ±0.10	ANGLE	UNIT: mm	SCALE: 1:1	PROJ:
ECN NO.	REV.	DATE.	DESCRIPTION.	CHANGE.	CHECK.	APPRO.	DRAWING NO.		SHEET 1 OF 1

	B		△ 2018.11.05			
	A		△ 2016.12.12			
			NEW			