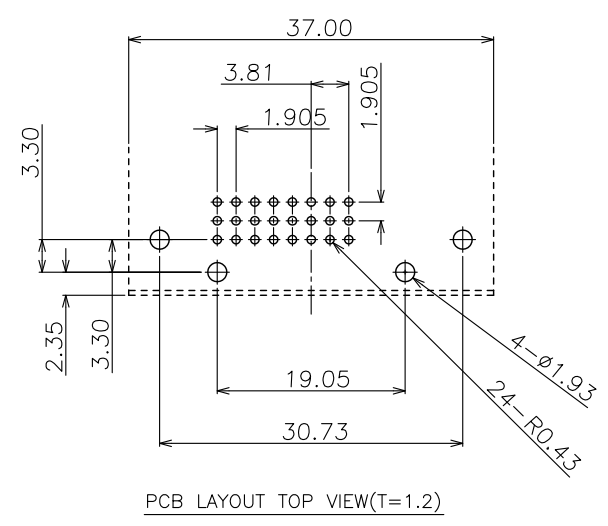
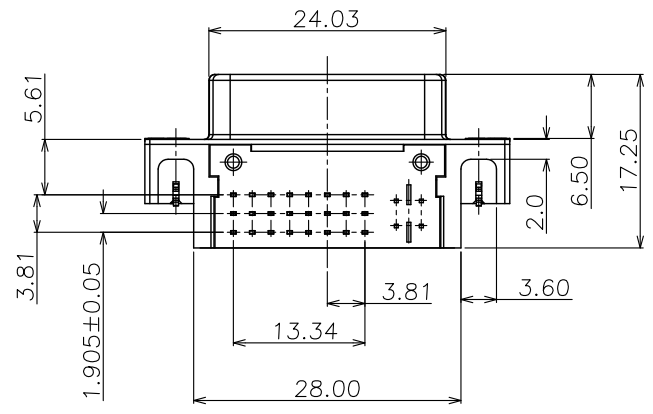
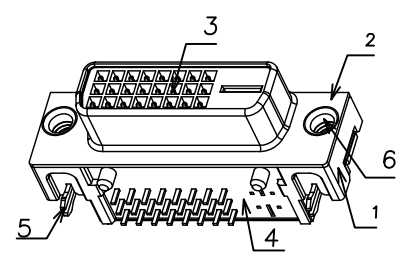
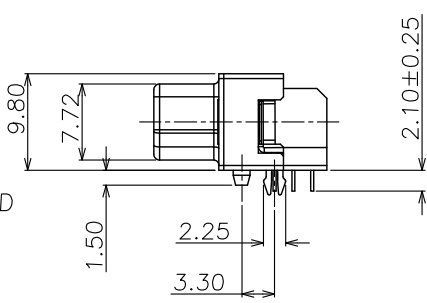
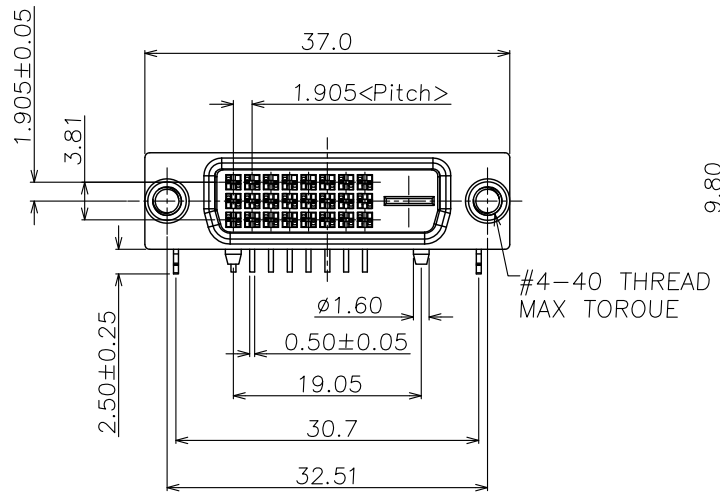


符合"DLK环境管理物质技术标准"

工程变更通知单 ECN(DCN) NO.	版本 REV	日期 DATE	说明 DESCRIPTION	改变 CHANGE	承认 APPRO.
KSECN18017	A	20180326	NEW RELEASE	—	—



- DVI2D D-24 W M1 Y N4 0  
① ② ③ ④ ⑤ ⑥ ⑦ ⑧
- ① PRODUCTION CODE (产品编码):  
DVI2D: DVI SERIES
  - ② CHARACTER (特征):  
D: DIP TYPE
  - ③ POSITION (位数):  
24: 24PIN
  - ④ COLOR OF HOUSING(本体颜色):  
W: WHITE
  - ⑤ PLATING OF CONTACT(端子电镀):  
M1 :Au AND MATE TIN PLATD
  - ⑥ PACKAGE(包装):  
Y :TRAY PACKAGE
  - ⑦ PLATING OF SHELL(铁壳电镀):  
N4:NI PLATD
  - ⑧ TYPE(规格):  
0: 无屏蔽无螺丝

6	NUT	2	C3602	Ni PLATED
5	BOARD LUCK	2	C2680(H65)	Tin PLATED
4	COVER	1	PA66	UL94V-0 Black
3	CONTACT	24	C2680(H65)	Au PLATED
2	SHELL	1	SPCC	Ni PLATED
1	HOUSING	1	PBT	UL94V-0
NO.	ITEM	QTY	DESCRIPTION	FINISH

GENERAL TOLERANCE UNLESS OTHERWISE NOTED	
Angle	±5°
X.	±0.50
.X	±0.35
.XX	±0.25
.XXX	±0.15

**DLK** 德力康电子科技有限公司  
DELIKANG ELECTRONICS TECHNOLOGY CO.,LTD

**C** 名称: DVI-D R/A CONN  
TITLE:

档案名称: C-DVI2D-00-00 料号: PART NO.: DVI2DD-24WM1YN40  
FILE NAME:

DRAWING: 王永辉 CHECKED: APPROVED: 严成旺

UNIT: mm SCALE: 1:1 SHEET: 1 of 1