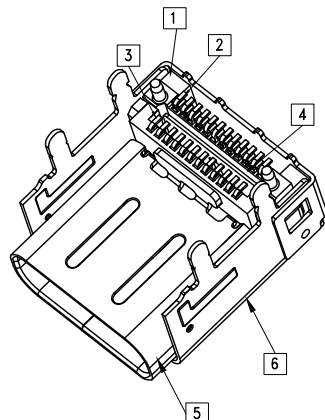
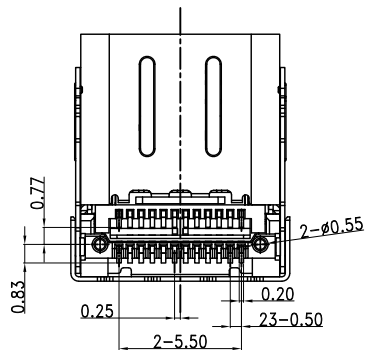
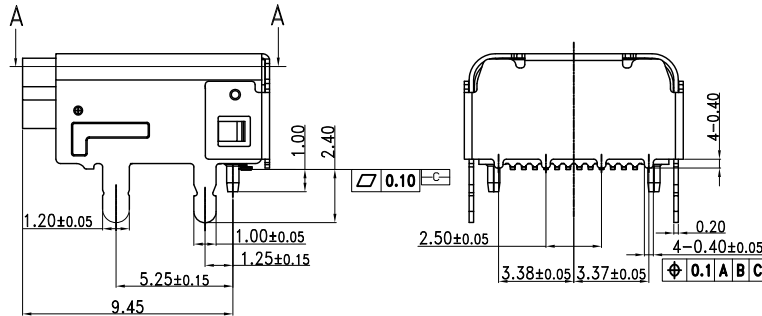
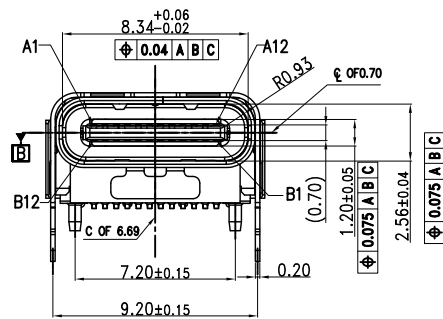


SECTION A-A



MAPX	MODIFICATION	DATE
------	--------------	------

NOTES:

- 1.MATERIAL :SEE TABLE
- 2.COPLANARITY : 0.10 Max.
- 3.ELECTRICAL CHARACTERISTICS
 LOW LEVEL CONTACT RESISTANCE: 40mΩ Max
 INSULATION RESISTANCE:100MΩ MIN
 DIELECTRIC WITHSTANDING VOLTAGE:100 VAC:
 CONTACT CURRENT RATING:5A Max
- 4.MECHANICAL CHARACTERISTICS
 INSERTION FORCE: 5~20N
 EXTRACTION FORCE: 8~20N
 AFTER DURABILITY EXTRACTION FORCE: 6~20N
- 5.DURABILITY: 10000 CYCLES
- 6.PACKAGING TYPE: CARRIER TAPE.
- 7.SALT SPRAY : 24 HOURS

ITEM	DESCRIPTION	Q'TY	MATERIAL	FINISH
6	OUTER-SHELL	1	STAINLESS STEEL	SOLDER NICKEL: 50U" MIN
5	INNER-SHELL	1	STAINLESS STEEL	SOLDER NICKEL: 50U" MIN
4	TOP TERMINAL	1	COPPER ALLOY	MATING AREA:AU 30u" SOLDER TAIL:MATTE TIN 50 MIN, 50u" NICKEL OVERALL.
3	BOTTOM TERMINAL	1	COPPER ALLOY	MATING AREA:AU 15u" SOLDER TAIL:MATTE TIN 50 MIN, 50u" NICKEL OVERALL.
2	MID PLATE	1	STAINLESS STEEL	SOLDER NICKEL: 50U" MIN
1	MAIN HOUSING	1	HIGH TEMPERATURE	BLACK

BILL OF MATERIAL

产品图
PRODUCT CHART DWG

公差一览表
TOLERANCE UNLESS OTHERWISE

X.	±0.30	X.	±5.°
.X	±0.25	.X	±2.°
.XX	±0.15	.XX	±1.°
.XXX	±0.10	.XXX	±0.5°

深圳市精拓金电子有限公司

单位 UNITS	MM	制图 DRAWING	YANG	制图料号 PRODUCT PART NO.
比例 SCALE	1:1	审核 CHKD	郭志富	产品名称 PRODUCT NO.
日期 DATE	2019.11.23	核准 APPD	黄国荣	角法 VIEW

版本
VER

版
AO

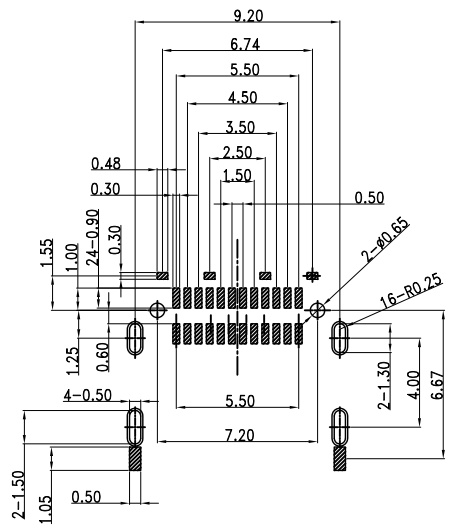
深圳市精拓金电子有限公司

单位 UNITS	MM	制图 DRAWING	YANG	制图料号 PRODUCT PART NO.
比例 SCALE	1:1	审核 CHKD	郭志富	产品名称 PRODUCT NO.
日期 DATE	2019.11.23	核准 APPD	黄国荣	角法 VIEW

版本
VER

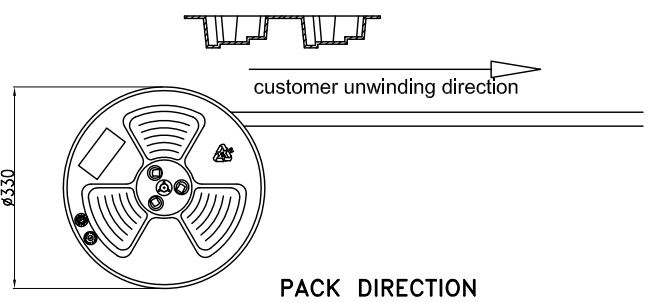
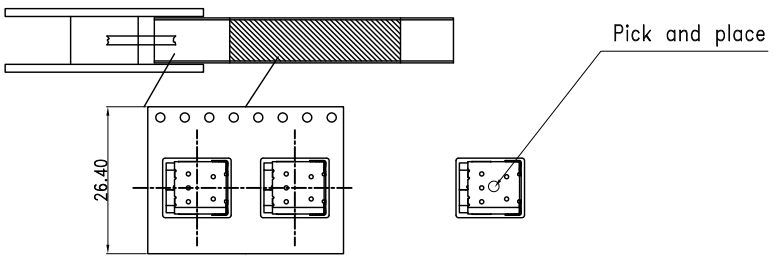
版
AO

MAPX	MODIFICATION	DATE



RECOMMENDED P.C.B LAYOUT (COMPONENT SIDE)
PCB THICKNESS: 2.0±0.05mm

Pin No	Signal Name	Mating Sequence	Pin No	Signal Name	Mating Sequence
A1	GND	First	B12	GND	First
A2	TX1+	Second	B11	RX1+	Second
A3	TX1-	Second	B10	RX1-	Second
A4	Vbus	First	B9	Vbus	First
A5	CC1	Second	B8	SBU2	Second
A6	D+	Second	B7	D-	Second
A7	D-	Second	B6	D+	Second
A8	SBU1	Second	B5	CC2	Second
A9	Vbus	First	B4	Vbus	First
A10	RX2-	Second	B3	TX2-	Second
A11	RX2+	Second	B2	TX2+	Second
A12	GND	First	B1	GND	First
SHELL		GND	SHELL		GND



产品图 PRODUCT CHART DWG		深圳市精拓金电子有限公司								
公差一览表 TOLERANCE UNLESS OTHERWISE				单位	MM	制图	YANG	制图料号		
X.	±0.30	X.	±5.°	UNITS		DRAWING		PRODUCT PART NO.		
.X	±0.25	.X	±2.°	比例	1:1	审核	郭志富	产品名称	USB TYPE C CONNECTOR CH3.40MM	
.XX	±0.15	.XX	±1.°	SCALE		CHKD		PRODUCT NO.		
.XXX	±0.10	.XXX	±0.5°	日期	2019.11.23	核准	黄国荣	角法	版本 VER	
				DATE		APPD		VIEW	AO	