

Surge arrester

2-electrode arrester

Series/Type: DG471S

Order Code:

Version/Date: Issue 02/2015-01-24

Surge arrester

2-Electrode arrester

DG471S

Features	Applications
<ul style="list-style-type: none"> ● Extremely small size ● Extremely fast response time ● Excellent SMD handling ● Stable performance over life ● Very low capacitance ● High insulation resistance ● RoHS-compatible ● UL-identification, No:E311500 	<ul style="list-style-type: none"> ● Splitter ● PCI Cards ● Morden ● Line cards

Electrical specifications

DC breakdown voltage ^{1) 2)}	470 ±20	V %
Impulse breakdown voltage ¹⁾		
at 100V/us -Typical values of distribution	≤850	V
at 1kv/us -Typical values of distribution	≤900	V
Insulation resistance at DC 100V	≥1	GΩ
Capacitance at 1MHz ²⁾	≤0.5	Pf
Service life ³⁾		
10 operations 8/20us	0.5	KA
10 operations 50Hz	0.5	A
Weight	~0.05	g
Storage and operations temperature	-40...+90	°C
Climatic category (GB/T 9043, IEC61643-1)	40/90/21	
Marking	Without	



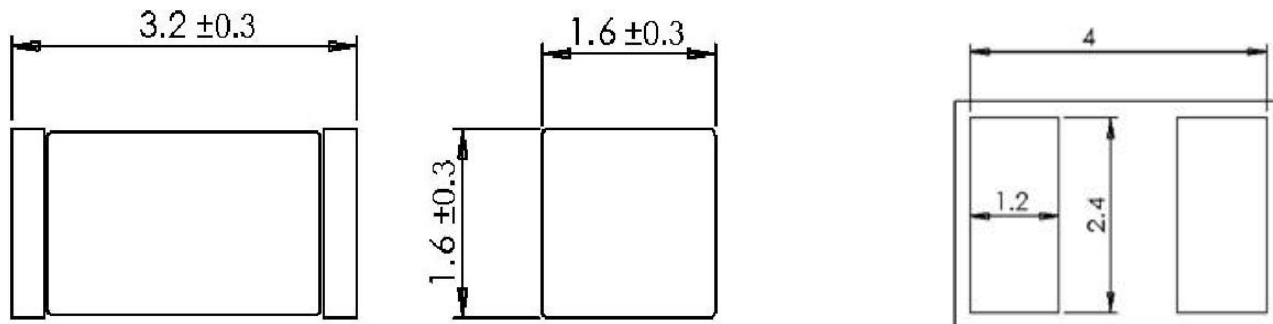
Tel: +86-510-81707285
Fax: +86-510-81707277
www.dong-guang.com

Surge arrester
2-Electrode arrester

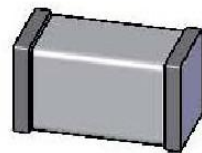
DG471S

- 1) At delivery AQL 0.65 level II ,DIN ISO 2859
- 2) In ionized mode
- 3) DC spark-over voltage $\pm 30\%$ after load
Tests according to ITU-T Rec. K. 12 and UL 497B
Terms and current waveforms in accordance with: ITU-T Rec. K. 12; IEC 61643-21 and DIN 57845 / VDE0845

Dimension

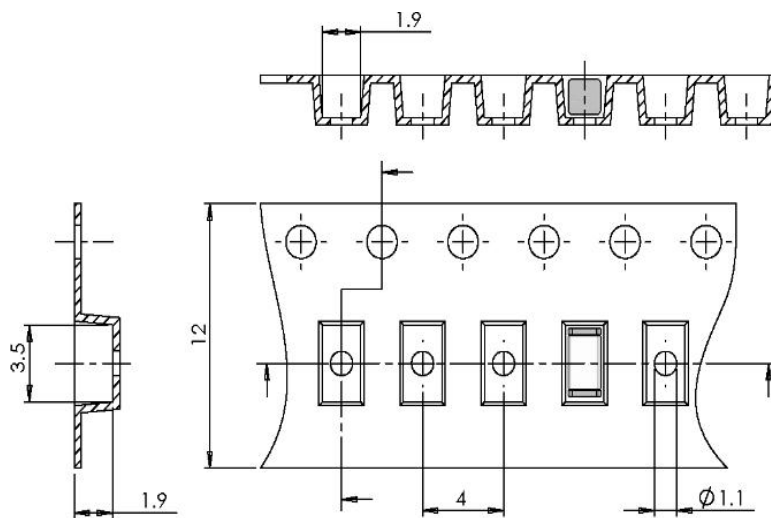


Recommended pad outline



Dimensions in mm
Tin-plated

Packing



3000pcs on SMD tape

Cautions and warnings

- Depending on the incorporation position, the surge arrester may have to be additionally secured by mechanical means.
- Surge arresters must not be operated directly in power supply networks.
- Surge arresters may become hot in case of longer periods of current stress (danger of burning).
- Damaged surge arresters must not be re-used.