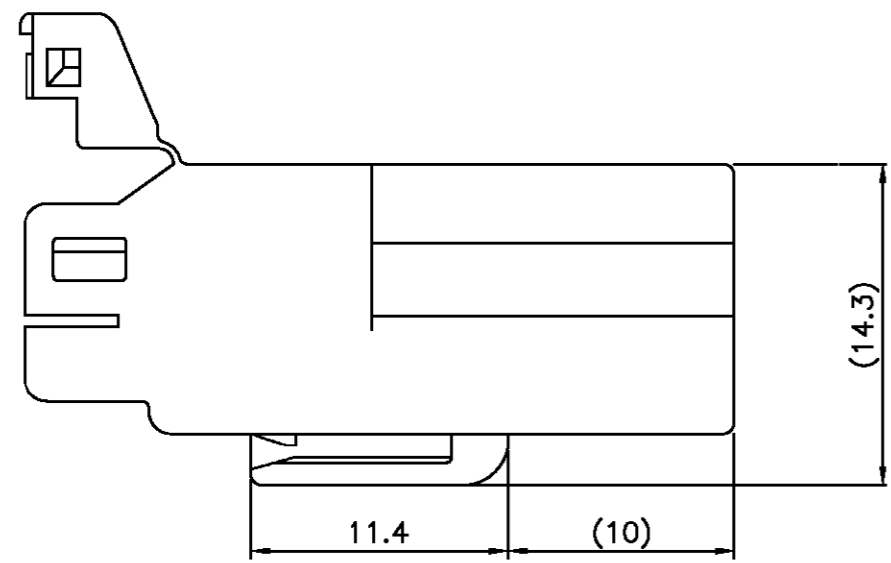
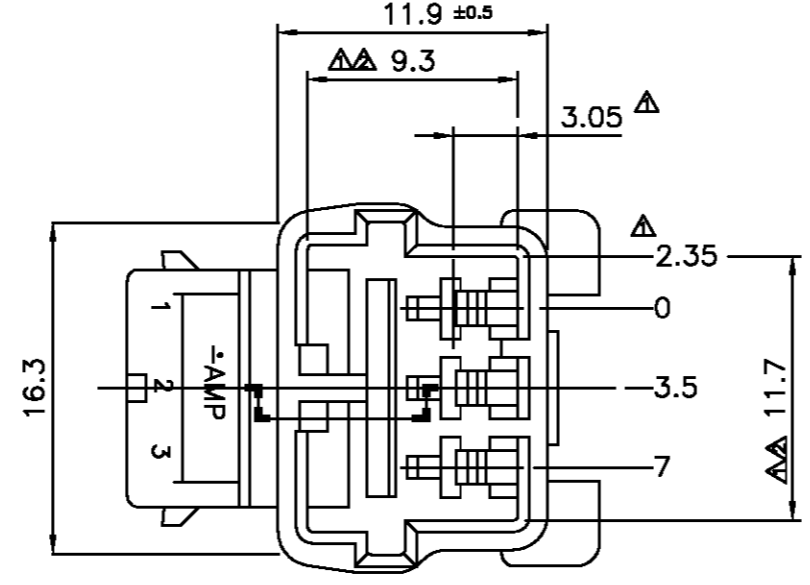
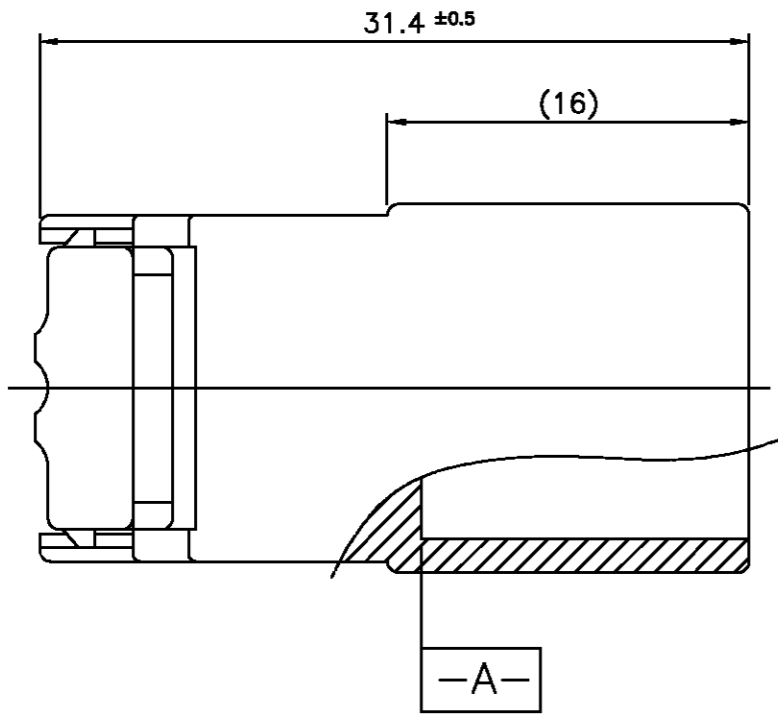


LOC	DIST	REVISIONS					
		P	LTR	DESCRIPTION	DATE	DWN	APVD
DS			O	RELEASED(RD98-146)	01.JUN'98	HSK	CS
			A	REVISED(FC00-0038-03)	27.MAR'03	HS	CS



- NOTES
1. TO BE MEASURED BETWEEN -A- AND 2mm.
  2. TO BE MATE WITH CAP HSG SMOOTHLY.
  3. APPLIED CONTACT P/N : 173633 & 173645.
  4. APPLIED TAB HSG P/N : 368500.

BLACK	TRIBIT 1503(BLK)	0-368503-2	Ⓐ
NATURAL	TRIBIT 1503(S)	0-368503-1	
COLOR	MATERIAL	PART NO.	

<small>THIS DRAWING IS A CONTROLLED DOCUMENT FOR TYCO ELECTRONICS CORPORATION. IT IS SUBJECT TO CHANGE AND THE CONTROLLING ENGINEERING ORGANIZATION SHOULD BE CONTACTED FOR THE LATEST REVISION.</small>		DWN HS BAE 27.MAR'03 CHK BM JANG 27.MAR'03 APVD CS LEE 27.MAR'03				AMP KOREA. kyungsan, korea	
DIMENSIONS: MM TOLERANCES UNLESS OTHERWISE SPECIFIED: 0 <XX<10 ± 0.2 10 <XX<30 ± 0.25 30 <XX ± 0.3 ANGLES ± 3°		PRODUCT SPEC APPLICATION SPEC		NAME .070 MLC 3P CAP HSG		RESTRICTED TO	
3rd ANGLE PROJECTION MATERIAL SEE TABLE FINISH		WEIGHT		SIZE A3 CAGE CODE 00779 DRAWING NO C= 368503		SCALE 2:1 SHEET 1 OF 1 REV A	