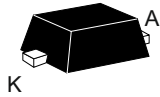
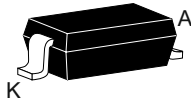


Low capacitance small signal Schottky diodes



SOD-523



SOD123

Features

- Low leakage current losses
- Negligible switching losses
- Low forward and reverse recovery times
- Extremely fast switching
- Surface mount device
- Low capacitance diode
- ECOPACK2 compliant

Applications

- General Rectification
- Reverse polarity protection
- Voltage clamping
- High-speed switching

Description

The BAT41 series uses 100 V Schottky barrier diodes packaged in SOD-123 or SOD-523. This series is specially suited for switching mode with low I_R losses.



Product status link

[BAT41](#)

Product summary

I_F	200 mA
V_{RRM}	100 V
T_j (max.)	150 °C
C (typ.)	3 pF

1 Characteristics

Table 1. Absolute ratings (limiting values at 25 °C, unless otherwise specified)

Symbol	Parameter	Value	Unit
V_{RRM}	Repetitive peak reverse voltage	100	V
I_F	Continuous forward current	200	mA
I_{FSM}	Surge non repetitive forward current	$t_p = 10$ ms sinusoidal	A
T_{stg}	Storage temperature range	-65 to +150	°C
T_j	Maximum operating junction temperature	+150	°C

Table 2. Thermal resistance parameter

Symbol	Parameter	Typ. value	Unit
$R_{th(j-a)}$	Junction to ambient ⁽¹⁾	SOD-123	500
		SOD-523	600

1. Epoxy printed circuit board with recommended pad layout

For more information, please refer to the following application note:

- AN5088: Rectifiers thermal management, handling and mounting recommendations

Table 3. Static electrical characteristics

Symbol	Parameter	Test conditions		Min.	Typ.	Max.	Unit
$I_R^{(1)}$	Reverse leakage current	$T_j = 25$ °C	$V_R = 50$ V	-		0.1	μA
		$T_j = 100$ °C		-		20	
$V_F^{(2)}$	Forward voltage drop	$T_j = 25$ °C	$I_F = 1$ mA	-	400	450	mV
			$I_F = 200$ mA	-		1000	

1. Pulse test: $t_p = 5$ ms, $\delta < 2\%$

2. Pulse test: $t_p = 380$ μs, $\delta < 2\%$

Table 4. Dynamic characteristics

Symbol	Parameter	Test conditions	Min.	Typ.	Max.	Unit
C	Diode capacitance	$V_R = 1$ V, $f = 1$ MHz	-	3	10	pF

1.1 Characteristics (curves)

Figure 1. Average forward power dissipation versus average forward current

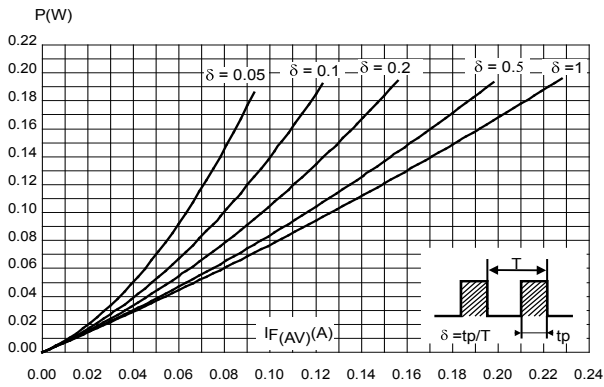


Figure 2. Average forward current versus ambient temperature ($\delta = 1$)

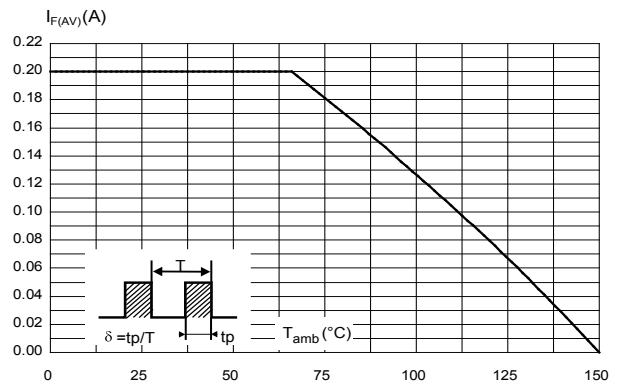


Figure 3. Reverse leakage current versus reverse voltage applied (typical values)

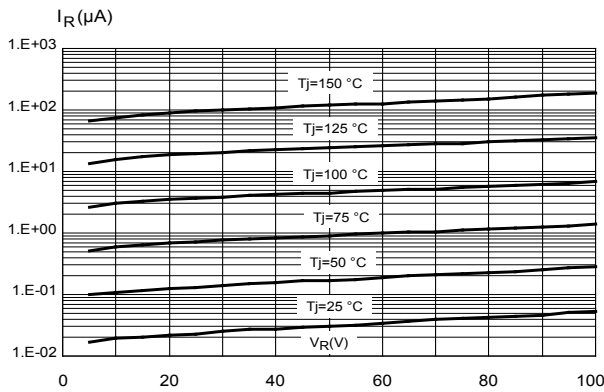


Figure 4. Reverse leakage current versus junction temperature (typical values)

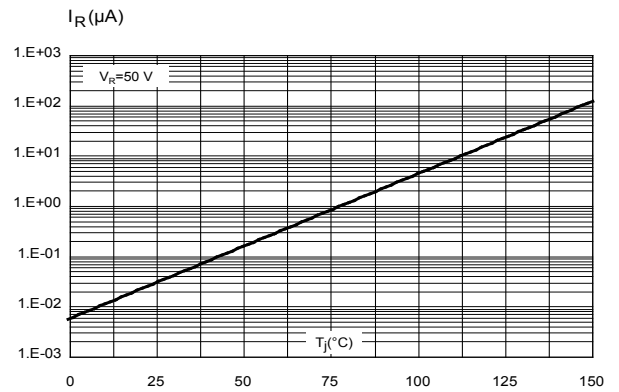


Figure 5. Junction capacitance versus reverse voltage applied (typical values)

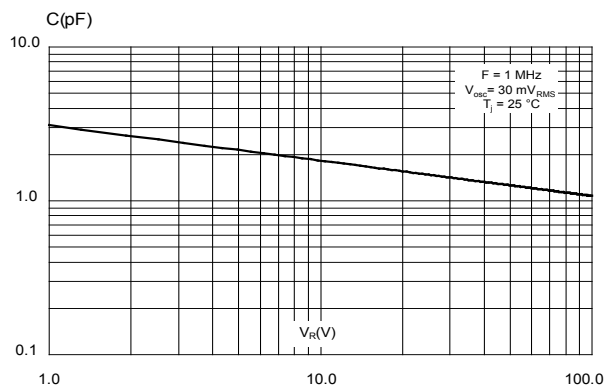


Figure 6. Forward voltage drop versus forward current (typical values)

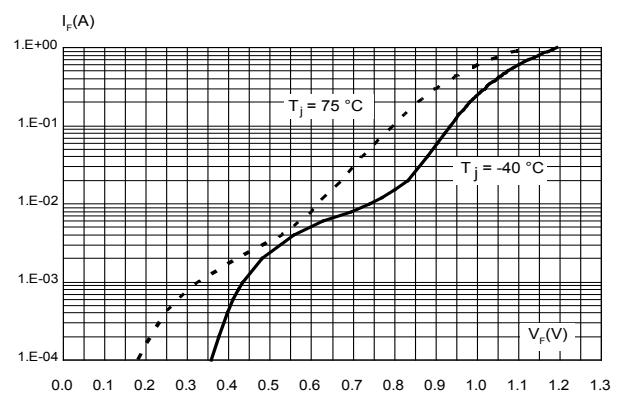
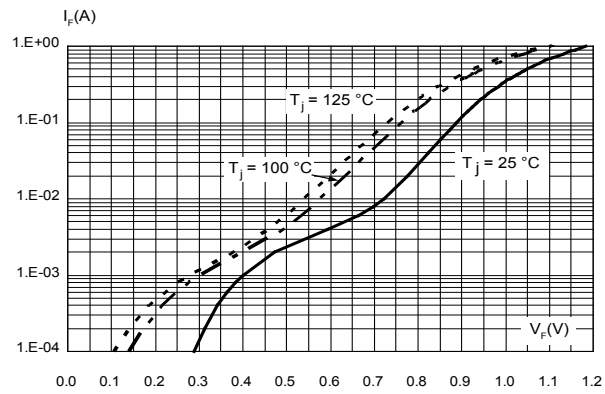


Figure 7. Forward voltage drop versus forward current (typical values)



2 Package information

In order to meet environmental requirements, ST offers these devices in different grades of **ECOPACK** packages, depending on their level of environmental compliance. ECOPACK specifications, grade definitions and product status are available at: www.st.com. ECOPACK is an ST trademark.

2.1 SOD123 package information

Figure 8. SOD123 package outline

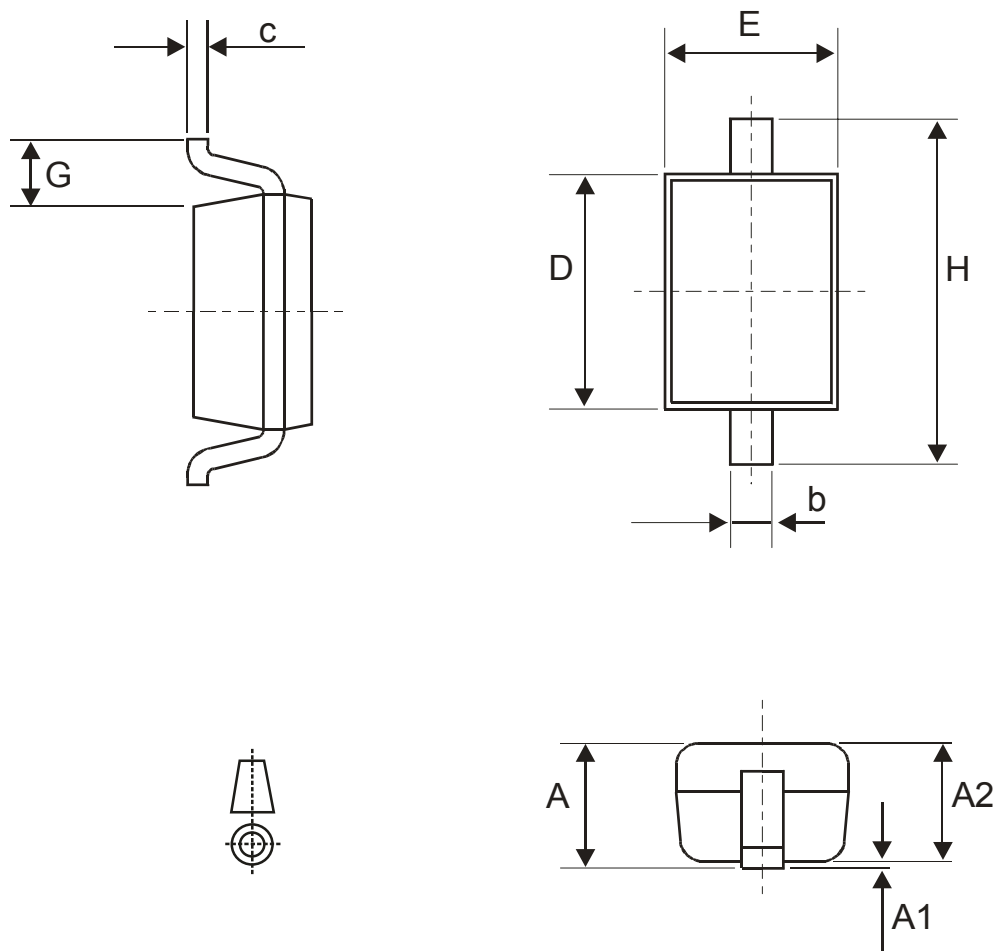
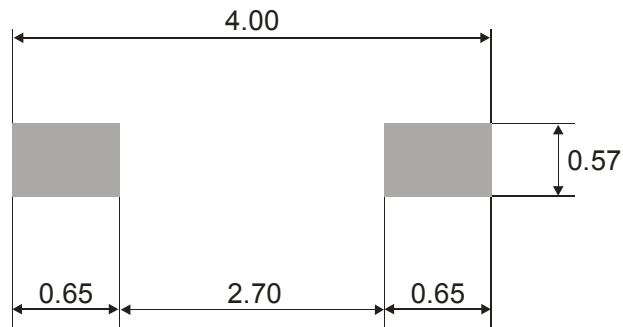


Table 5. SOD123 package mechanical data

Ref.	Dimensions					
	Millimeters			Inches ⁽¹⁾		
	Min.	Typ.	Max.	Min.	Typ.	Max.
A			1.45			0.057
A1	0.00		0.10	0.000		0.004
A2	0.85		1.35	0.033		0.053
b		0.55			0.022	
c		0.15			0.039	
D	2.55		2.85	0.100		0.112
E	1.40		1.70	0.055		0.067
G	0.25			0.010		
H	3.55		3.75	0.140		0.148

1. Values in inches are converted from mm and rounded to 3 decimal digits

Figure 9. SOD123 footprint in mm



2.2 SOD523 package information

Figure 10. SOD523 package outline

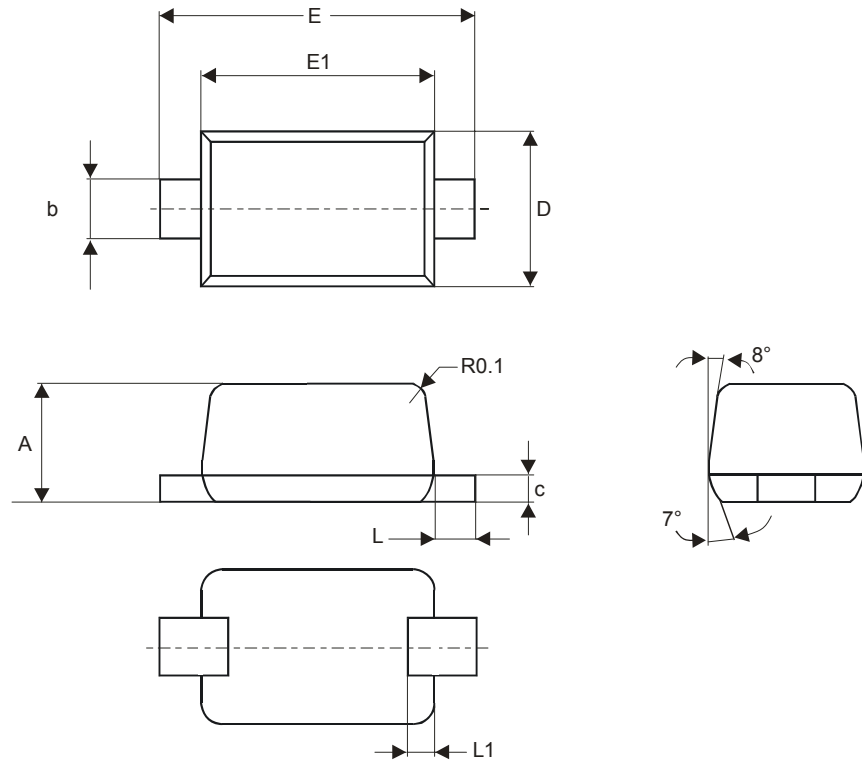
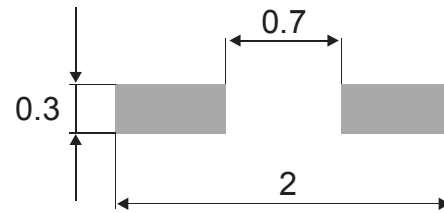


Table 6. SOD523 package mechanical data

Ref.	Dimensions					
	Millimeters			Inches ⁽¹⁾		
	Min.	Typ.	Max.	Min.	Typ.	Max.
A	0.50	0.60	0.70	0.020	0.024	0.028
E	1.50	1.60	1.70	0.059	0.063	0.067
E1	1.10	1.20	1.30	0.043	0.047	0.051
D	0.70	0.80	0.90	0.028	0.031	0.035
b	0.25		0.35	0.010		0.014
c	0.07		0.20	0.003		0.008
L	0.15	0.20	0.25	0.006	0.008	0.010
L1	0.00		0.20	0.000		0.008

1. Values in inches are converted from mm and rounded to 3 decimal digits

Figure 11. SOD523 footprint in mm



3 Ordering information

Figure 12. Ordering information scheme

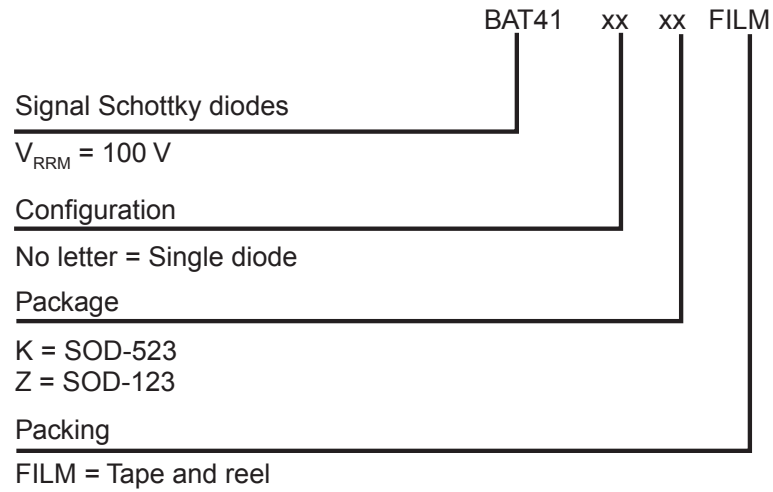


Table 7. Ordering information

Order code	Marking	Package	Weight	Base qty.	Delivery mode
BAT41ZFILM	Z41	SOD-123 Single	10 mg	3000	Tape and reel
BAT41KFILM	41	SOD-523 Single	1.4 mg	3000	Tape and reel

Revision history

Table 8. Document revision history

Date	Revision	Changes
08-Aug-2006	1	Initial release.
12-Oct-2009	2	Updated Table 8 quote "L1" from 0.10 to 0.05.
03-Sep-2021	3	Updated all figures. Removal of Obsolete P/N. Minor text changes to improve readability.

IMPORTANT NOTICE – PLEASE READ CAREFULLY

STMicroelectronics NV and its subsidiaries (“ST”) reserve the right to make changes, corrections, enhancements, modifications, and improvements to ST products and/or to this document at any time without notice. Purchasers should obtain the latest relevant information on ST products before placing orders. ST products are sold pursuant to ST’s terms and conditions of sale in place at the time of order acknowledgement.

Purchasers are solely responsible for the choice, selection, and use of ST products and ST assumes no liability for application assistance or the design of Purchasers’ products.

No license, express or implied, to any intellectual property right is granted by ST herein.

Resale of ST products with provisions different from the information set forth herein shall void any warranty granted by ST for such product.

ST and the ST logo are trademarks of ST. For additional information about ST trademarks, please refer to www.st.com/trademarks. All other product or service names are the property of their respective owners.

Information in this document supersedes and replaces information previously supplied in any prior versions of this document.

© 2021 STMicroelectronics – All rights reserved

Mouser Electronics

Authorized Distributor

Click to View Pricing, Inventory, Delivery & Lifecycle Information:

[STMicroelectronics:](#)

[BAT41KFILM](#) [BAT41ZFILM](#)