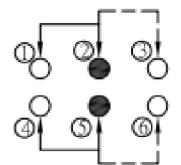
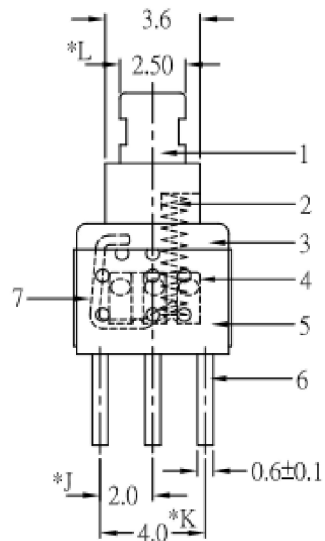
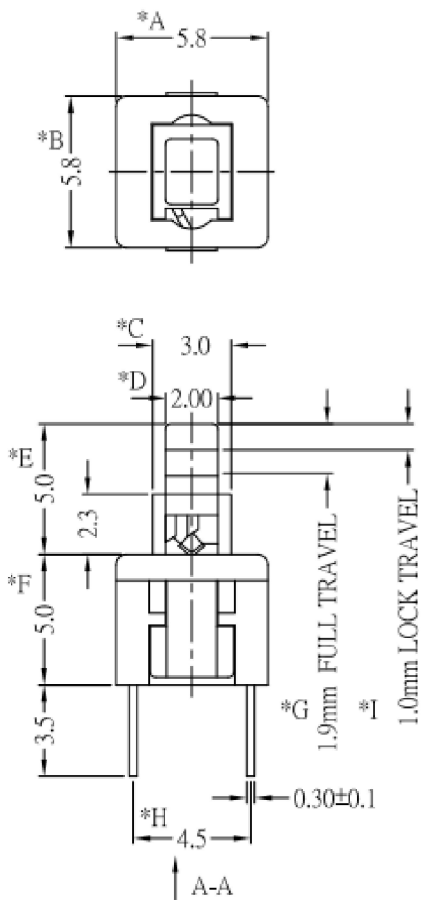


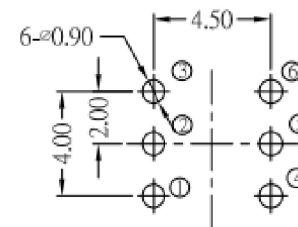
RoHS

CAD GENERATED DRAWING. DON'T CHANGE BY HAND.

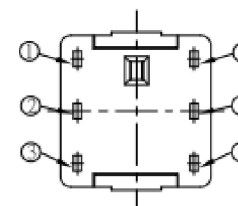
REV.	ECN. NO.	APPD.



SCHMATIC



P.C.B. LAYOUT (TOP VIEW)



A-A VIEW

* CRITICAL DIMENSION

7	CAM STICK	1	SUS	NATURAL
6	TERMINAL	6	BRASS STRIP	Ag COATING
5	CASE	1	PA66	GRAY
4	CONTACT	2	C5210R-EH	Ag CLAD
3	COVER	1	POM	BLACK
2	SPRING	1	SUS	NATURAL
1	KNOB	1	POM	WHITE
NO.	PART NAME	Q' TY	MATERIAL	FINSH/COLOR

X.	±0.50	X.°	±2°	UNITS mm
.X	±0.30	.X°	±1°	
.XX	±0.10	.XX°	±0.5°	MAT' L /
.XXX	±0.05			
THESE DRAWINGS AND SPECIFICATIONS ARE THE PROPERTY OF YIYUAN TECHNOLOGY CO.,LTD AND SHALL NOT BE REPRODUCED, COPIED OR USED IN ANY MANNER WITHOUT THE PRIOR WRITTEN CONSENT OF YIYUAN TECHNOLOGY CO.,LTD				FINISH /
Operation Force 180GF				

yiYUAN 深圳市怡远科技有限公司
SHENZHEN YIYUAN TECHNOLOGY CO.,LTD

PART NO. YTS58L180AW TITLE: 数据开关5.8*5.8 自锁插脚 2*2.5 数据块

APPD: ROGER DWG NO.: YTS58L180AW

CHKD: ROC

DR: BILLY WANG 2020/08/21

SCALE	SHEET	REV.
1/1	1/1	A1