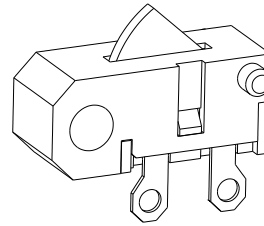
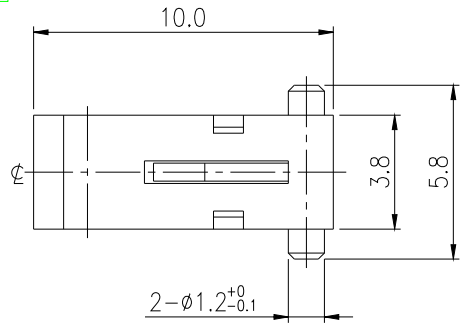


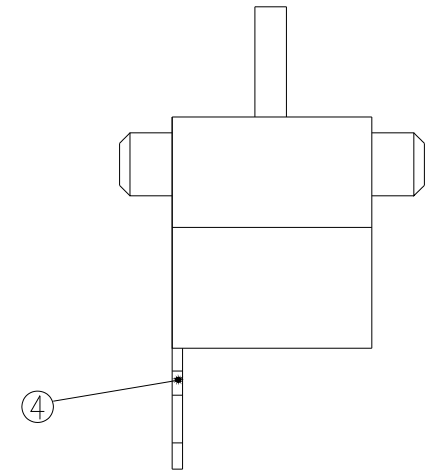
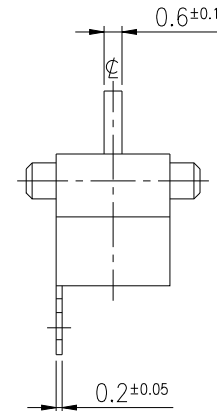
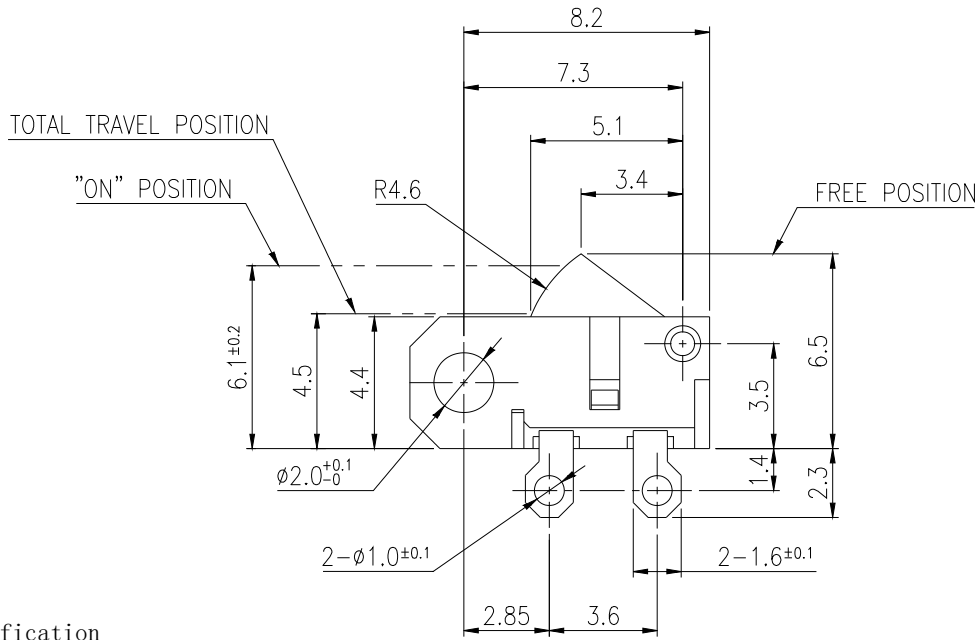
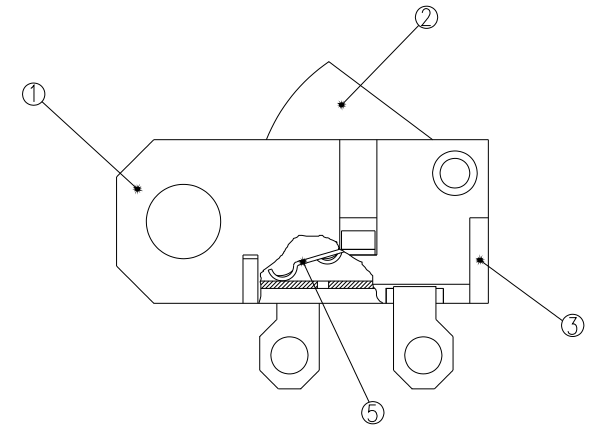
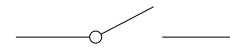
RoHS

CAD GENERATED DRAWING. DON'T CHANGE BY HAND.

REV.	ECN. NO.	APPD.



SCHEMATIC (1P1T)



Specification

Operating Life	100,000
Contact rating	DC5V 1mA
Insulation resistance	DC500V-100MΩ min.
Contact resistance	1Ω max.initial.
Withstand Voltage	AC300V(1mn)
Operation(Torque)	40gf MAX("ON"Position)

Mechanical

NO.	PART NAME	Q'TY	MATERIAL	SPECIFICATION
5	CONTACT PLATE	1	COPPER ALLOY	Ag-PLATING or Ag-CLAD
4	TERMINAL	1	COPPER ALLOY	Ag-PLATING
3	BASE	1	LIQUID CRYSTAL POLYMER+GLASS FIBER	BLACK COLOR
2	SLIDER	1	LIQUID CRYSTAL POLYMER+GLASS FIBER	COLOR: □ A/BLACK ■ B/WHITE
1	FRAME	1	POLYAMIDE RESIN+GLASS FIBER	BLACK COLOR

TOLERANCES UNLESS OTHERWISE SPECIFIED
±0.3

THESE DRAWINGS AND SPECIFICATIONS ARE THE PROPERTY OF YIYUAN TECHNOLOGY CO.,LTD AND SHALL NOT BE REPRODUCED, COPIED OR USED IN ANY MANNER WITHOUT THE PRIOR WRITTEN CONSENT OF YIYUAN TECHNOLOGY CO.,LTD

UNITS
mm

MAT'L

FINISH

Q'TY



深圳市怡远科技有限公司
SHENZHEN YIYUAN TECHNOLOGY CO.,LTD

PART NO.
YTSD011WB

APPD: ROGER
CHKD: RDC
DR: BILLY WANG 2020/08/21

TITLE:
DETECT SWITCH

DWG NO.:
YTSD011WB

SCALE	SHEET	REV.
1/1	1/1	A1