



ZPDP38B-S90

PIN Photodiode

Descriptions

The ZPDP38B-S90 is a high-output, high-speed silicon PIN photodiode mounted in a sidelooking package. The photodiode is small size, low profile and easy mounting.

Features

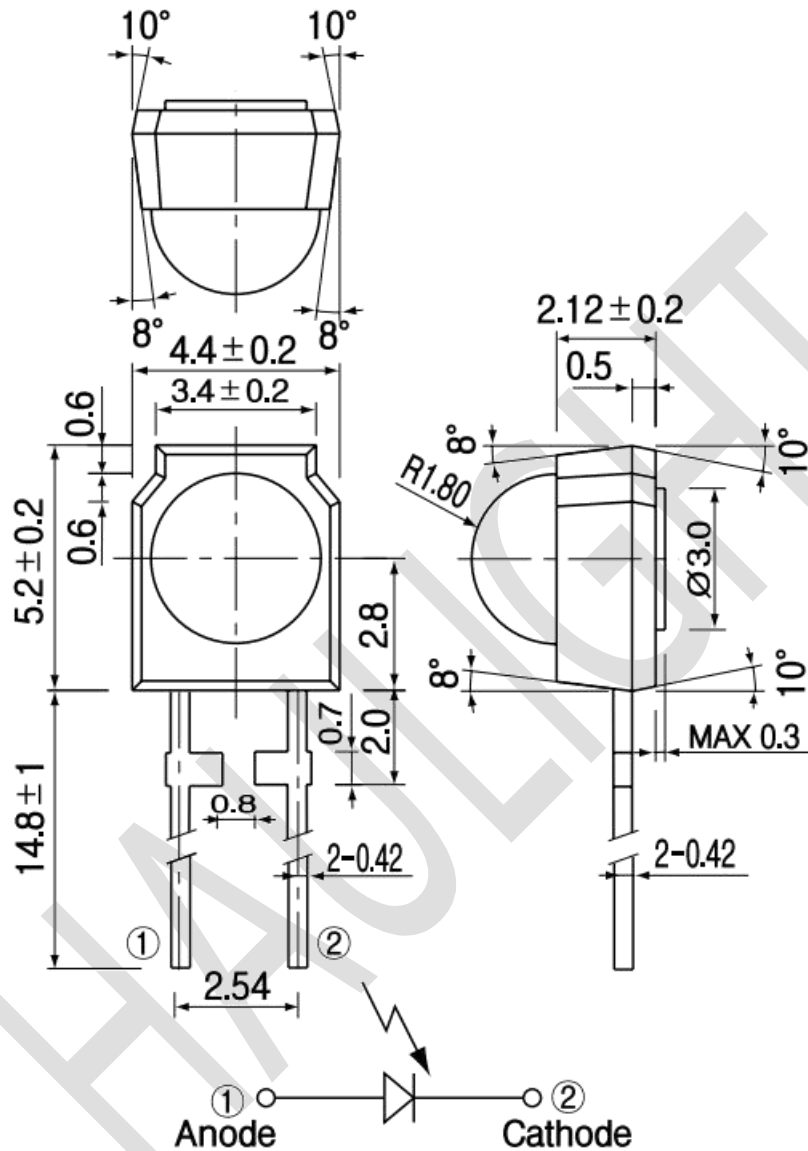
- High-output power
- High-speed response
- Wide angular response
- Low-cost
- Pb.Free
- Sidelooking plastic package.

Applications

- Remote control sensors
- Optical switches
- Photocoupler



Package Dimension



Notes:

1. All dimensions are in millimeters
2. Tolerances unless dimensions ± 0.3 mm
3. Lead spacing is measured where the lead emerge from the package



MAXIMUM RATINGS

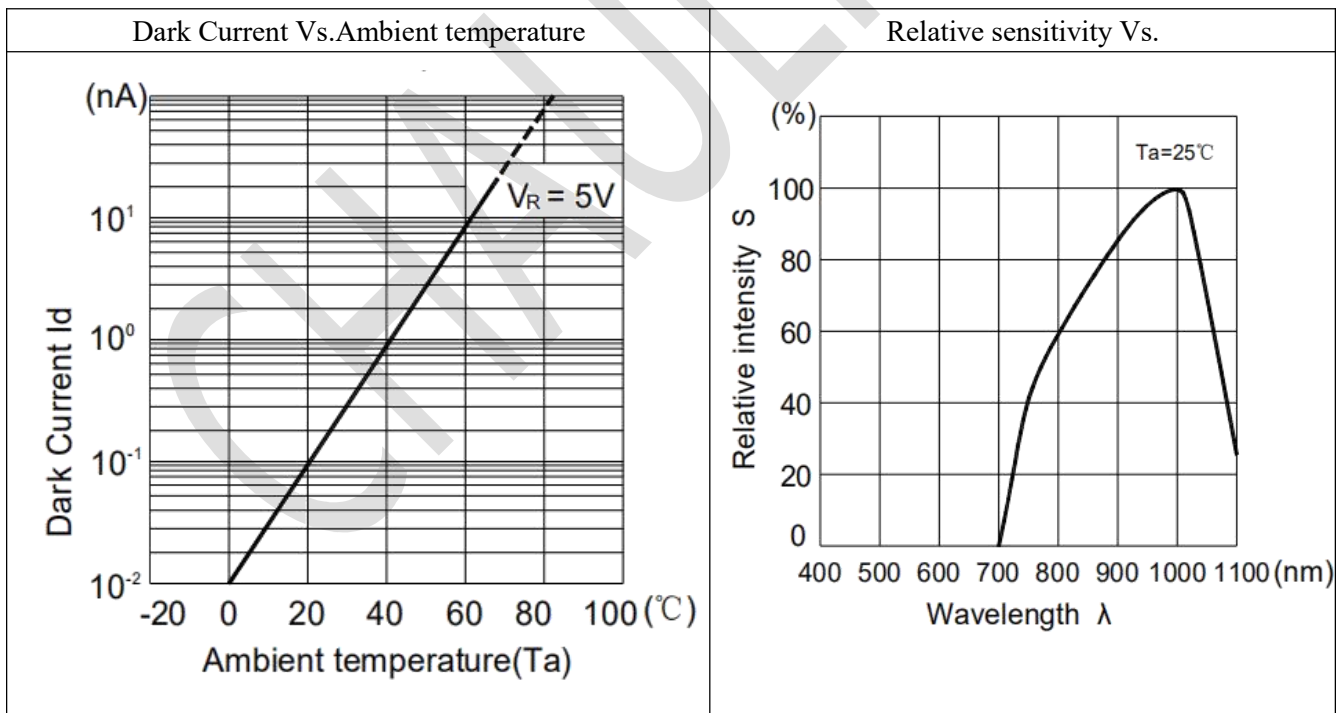
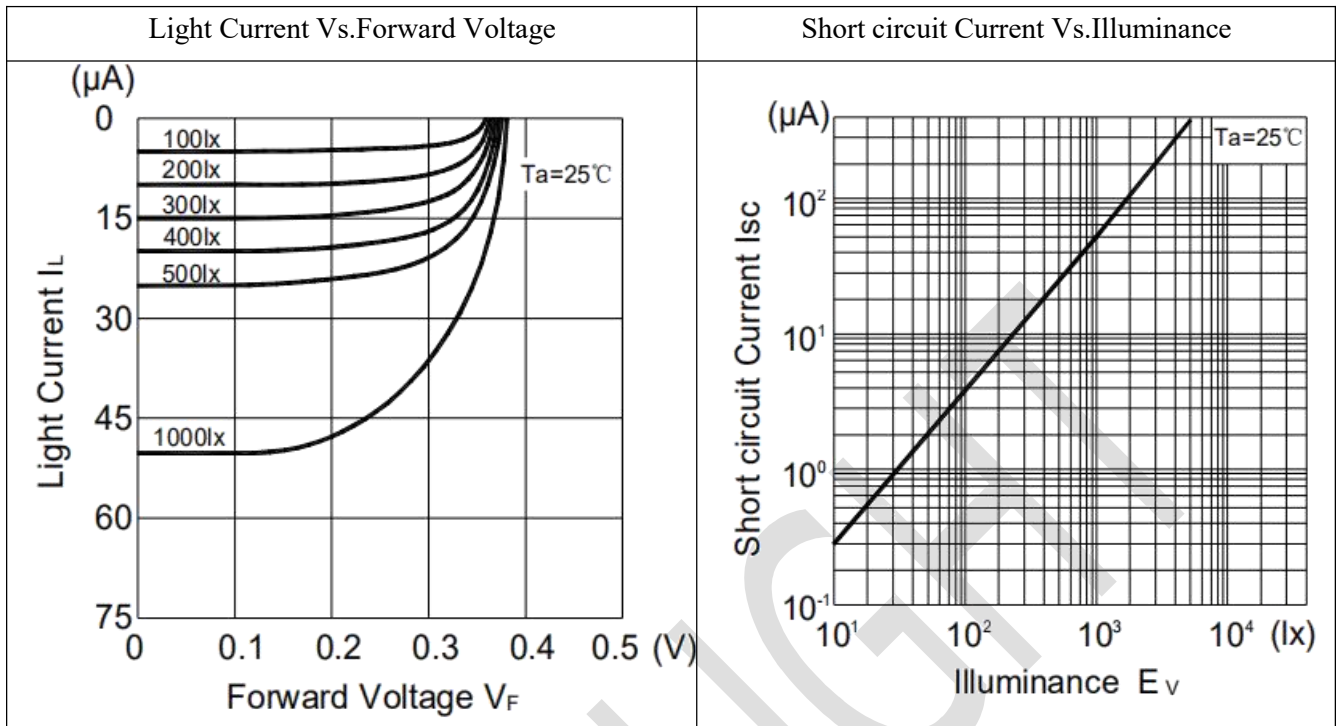
Item	Symbol	Ratings	Unit
Reverse voltage	V_R	35	V
Operating temp	T_{opr}	-30~+70	°C
Storage temp	T_{stg}	-40~+80	°C
Soldering temp.* 1	T_{sol}	260	°C

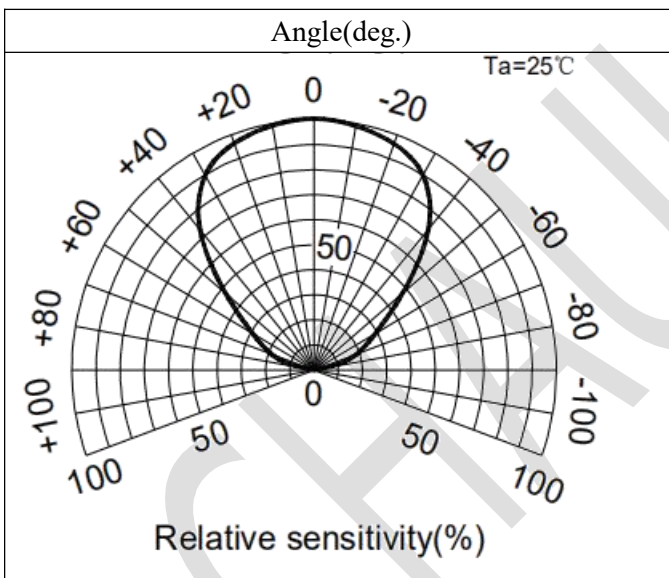
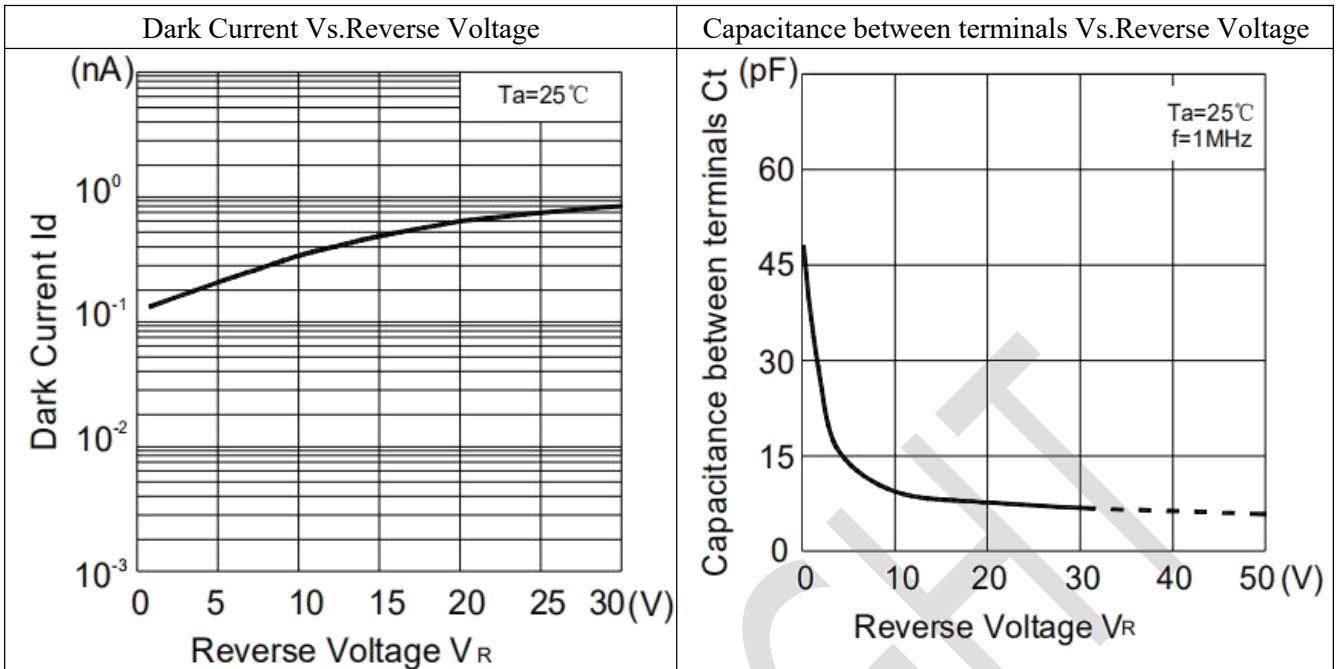
Electro-Optical Characteristics

Item	Symbol	Condition	Min.	Typ.	Max.	Units
Open circuit voltage	V_{oc}	EV = 1,000lx*2	--	0.38	--	V
Short circuit current	I_{sc}		--	50	--	μA
Curve factor	C.F	$V_R = 10V$	0.55	--	--	nA
Dark current	I_d	--	--	--	200	--
Capacitance	C_t	$V = 0V, f = 1MHz$	--	48	--	pF
Temperature coefficient of V_{oc}	α_t	--	--	-2.2	--	mV/°C
Temperature coefficient of I_{sc}	β_t	--	--	0.18	--	% /°C
Spectral sensitivity	λ	--	700~1100			nm
Peak wavelength	λ_p	--	--	1000	--	nm
Half angle	$\Delta\theta$	--	--	±55	--	deg



Typical Electrical/Optical/Characteristics Curves





Packing Quantity Specification

1. 1000PCS/1Bag, 5Bags/1Box
2. 10Boxes/1Carton