

CRYSTAL UNIT

YSX321SL

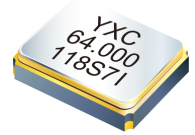


Applications

- SmartWearable IOT Communication.

Features

- Dimensions: 3.20 x 2.50 x 0.70 mm.
- Standard Frequency: 8~64MHz
- High precision and high frequency stability.
- Extremely good for reducing EMI effect.



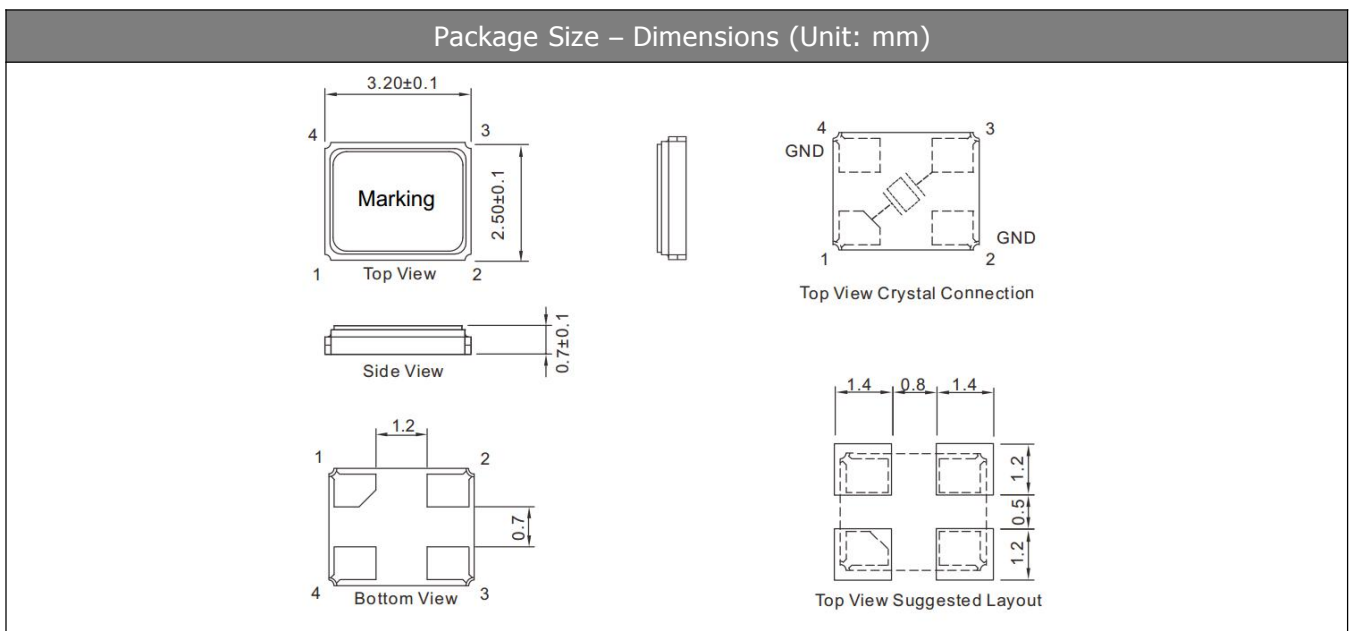
Specifications

| | |
|--|----------------------------------|
| Standard Frequency | 8~64 MHz |
| Vibration Mode | AT Fundamental |
| Load Capacitance | 10pF, 20pF, or specify |
| Frequency Tolerance (at 25 °C) | ±10ppm, ±20ppm, or specify |
| Frequency Versus Temperature Characteristics | ±20ppm, or specify |
| Operating Temperature | -20~+70°C, -40~+85°C, or specify |
| Storage Temperature | -55~+125°C or specify |
| Shunt Capacitance | 7 pF Max. |
| Level of Drive | 1~200µW Max. (100µW typical) |
| Aging (at 25 °C) | ±3ppm/year Max. |

Equivalent Series Resistance(ESR)

| Fundamental | |
|----------------|------------|
| 8 ~ 11.2892MHz | 150 Ω Max. |
| 12 ~ 16 MHz | 80 Ω Max. |
| 17 ~ 64 MHz | 50 Ω Max. |

Dimensions and Patterns [unit:mm]



CRYSTAL UNIT

YSX321SL



Reflow Soldering Profile

Pre Heating Temperature

Tp1 ~ Tp2 = + 170 °C

Heating Temperature

TMit = + 220 °C

Peek Temperature

TMax. = + 260 °C

Point of measuring

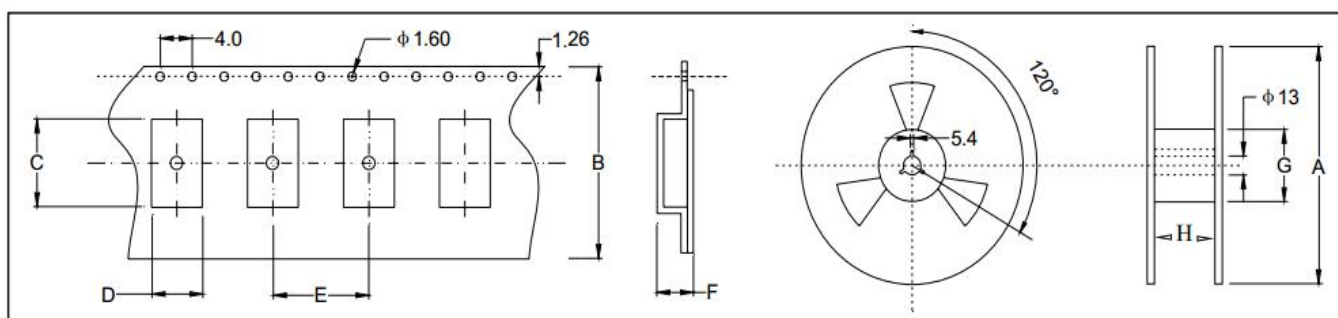
In case of Solder ability

Terminal.

In case of Resistance to soldering heat Surface.



Taping Specification(Unit: mm)



| Size | A | B | C | D | E | F | G | H |
|----------|---------|---------|----------|----------|---------|----------|----------|---------|
| SMD-3225 | 180±2.0 | 8.0±0.3 | 3.50±0.1 | 2.50±0.1 | 4.0±0.1 | 1.40±0.1 | 61.0±1.0 | 8.0±1.0 |

3000 pcs per reel