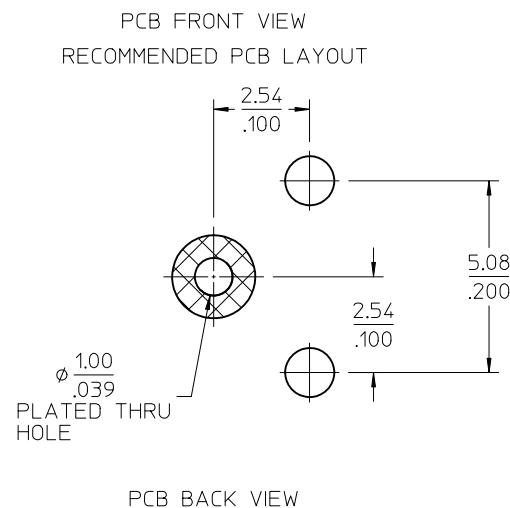
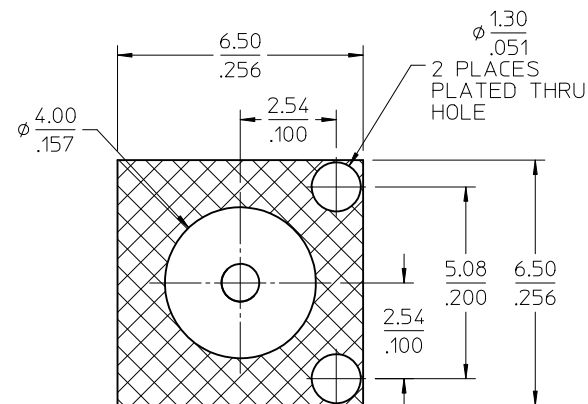
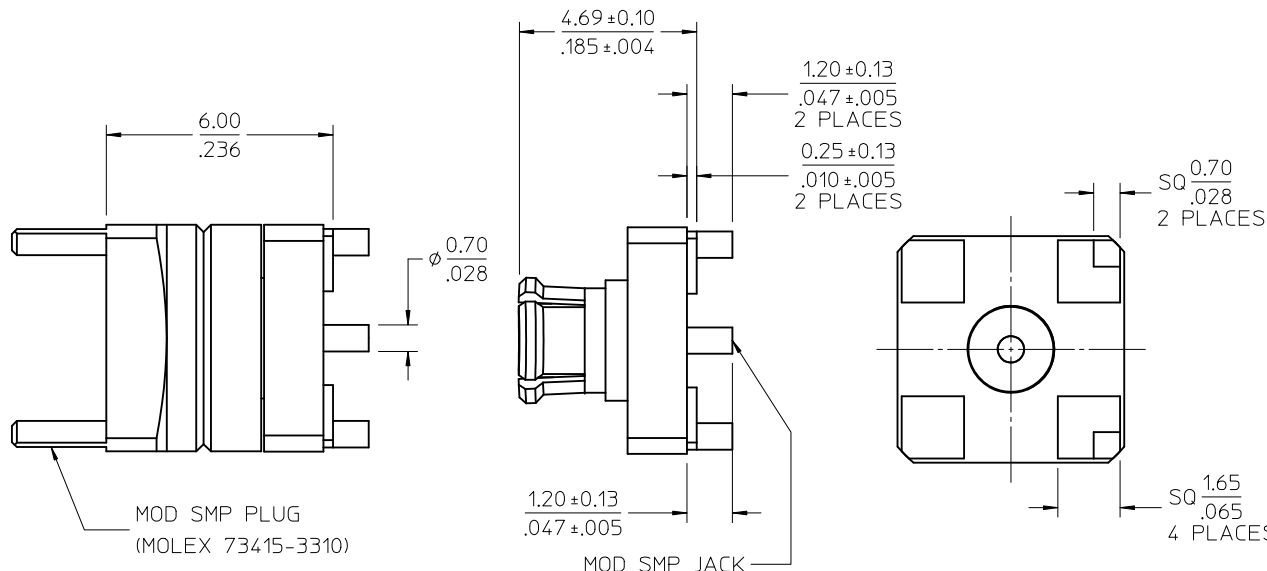
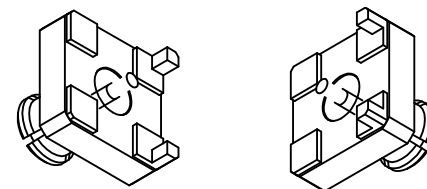


MATERIALS AND FINISHES

BODY BERYLLIUM COPPER
PLATED GOLD (10 MICROINCHES MIN)

CENTER CONTACT BERYLLIUM COPPER
PLATED GOLD (30 MICROINCHES MIN)

INSULATOR TEFLON



PART # 73406-0150

MIL-STD-348A, FIG. 326.1	INTERFACE
SPECIFICATION	DESCRIPTION

CHG: 4.69 WAS 4.30	2010/07/29	QUALITY SYMBOLS	GENERAL TOLERANCES (UNLESS SPECIFIED)	DIMENSION STYLE	SCALE	DESIGN UNITS	THIRD ANGLE PROJECTION
EC NO:	2010/09/18	▽=0	mm INCH	MM/IN	METRIC		
DRW: RYEH	2010/09/18	▽=0	4 PLACES ± --- ± ---	DRAWN BY DATE	TITLE		
CHKD: KERRIE	2010/09/20		3 PLACES ± --- ± ---	CHECKED BY DATE	MOD SMP JACK PCB		
APPR: MHUANG			2 PLACES ± --- ± ---	APPROVED BY DATE	50 OHMS		
REV: 1			1 PLACE ± --- ± ---	MATERIAL NO. DATE	SMP-J/PCB		
			ANGULAR ± 2 °	734060150	SD-73406-015	MOLEX INCORPORATED	
				DOCUMENT NO.		SHEET NO.	
				734060150		1 OF 1	
				DRAFT WHERE APPLICABLE MUST REMAIN WITHIN DIMENSIONS			
				THIS DRAWING CONTAINS INFORMATION THAT IS PROPRIETARY TO MOLEX INCORPORATED AND SHOULD NOT BE USED WITHOUT WRITTEN PERMISSION			