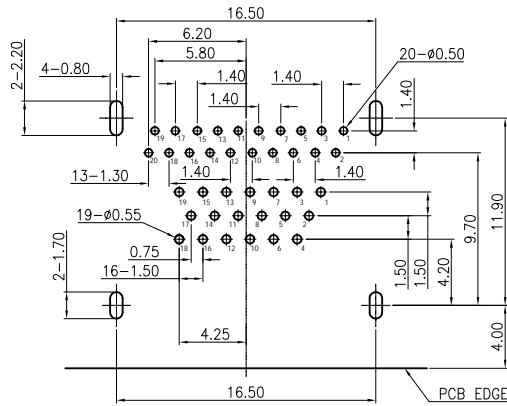
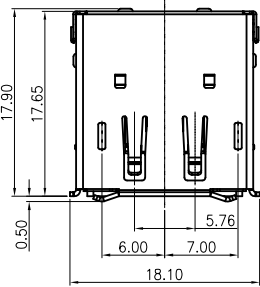
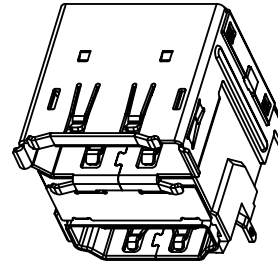


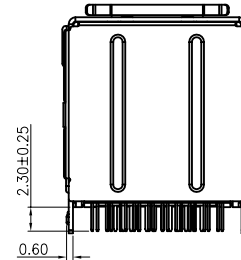
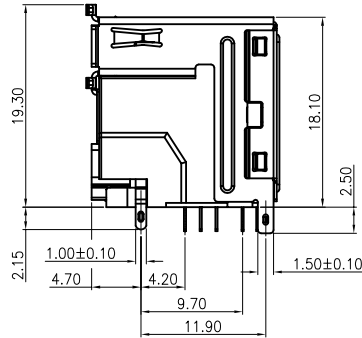
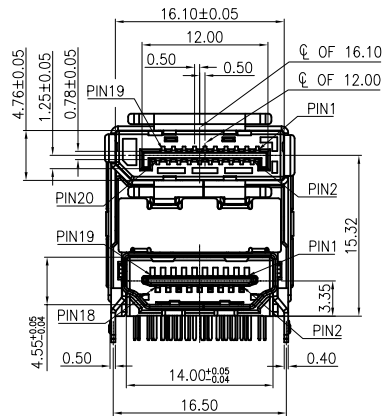
MECHANICAL:



RECOMMENDED PCB LAYOUT (SCALE 1.5:1)
THICKNESS=1.6±0.10mm



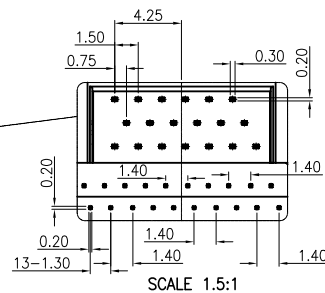
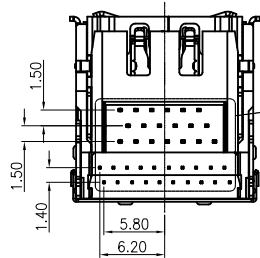
- NOTES:
- MATERIAL:
 - INSULATOR: LCP(HF) UL94V-0 BLACK
 - CONTACT: COPPER ALLOY
 - HDMI SHELL: COPPER ALLOY
 - DP SHELL: STAINLESS STEEL
 - REAR COVER: STAINLESS STEEL
 - MIDDLE SHIELD: STAINLESS STEEL
 - PLATING:
 - CONTACT: CONTACT AREA GOLD PLATED
SOLDER AREA TIN PLATED
UNDER PLATED NICKEL
 - HDMI SHELL: NICKEL PLATED
 - DP SHELL: NICKEL PLATED
 - SPECIFICATION:
 - CURRENT RATING: 0.5A
 - VOLTAGE RATING: 40V RMS
 - CONTACT RESISTANCE: 30mΩ MAX. (CONTACT); 50mΩ MAX. (SHELL)
 - WITHSTANDING VOLTAGE: 500V AC
 - INSULATION RESISTANCE: 100MΩ MIN.
 - MATING FORCE: 4.5Kg(44.1N)MAX.
 - UNMATING FORCE: 1.0Kgf~4.0Kgf(9.8N~39.2N)
 - DURABILITY: 10000 CYCLES
 - TEMPERATURE RANGE: -25°C TO +85°C



Ordering Information

H164-FR01- X X B X -CR-LHS

- | | | |
|---------------------------|------------------|----------------|
| Shell | Plastic material | Electroplating |
| 1=Iron Alloy Ni Plating | A=PBT | 0=FU/Tin |
| 2=Iron Alloy Au Plating | B=PA9T | 1=1u"金/Tin |
| 3=Copper Alloy/Ni Plating | E=LCP | 2=3u"金/Tin |
| 4=Copper Alloy Au Plating | | 3=5u"金/Tin |
| | | 4=10u"金/Tin |
| | | 5=15u"金/Tin |
| | | 6=30u"金/Tin |

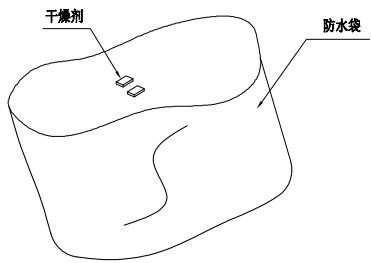


HULYN		深圳惠興力電子有限公司 SHEN ZHEN HUILY ELECTRONICS CO.,LTD.				
FILE NO : H164(Series)	TITLE 圖名	DP+HDMI 90度 DIP HDMI脚 间距16.50无柱		UNIT 單位	mm inch	
TOLERANCE(公差): 0.000 mm ± 0.10 mm 0.00 mm ± 0.25 mm 0.0 mm ± 0.30 mm	PART NO. 料號	H164-FR01-3EB0-CR-LHS		SCALE 比例	1 : 1	
A0	DRAWN BY 製圖	Huang	DATE 日期	2023-07-06	REV. 版本	A.0
REV	CHECKED BY 審核	Zhu	DATE 日期	2023-07-06		

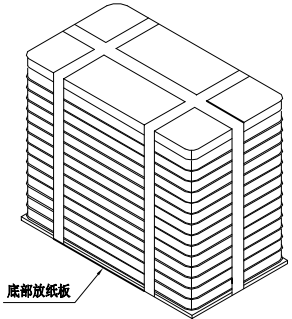
RELEASED Huang 2023-07-06

DESCRIPTION. APPD. Date

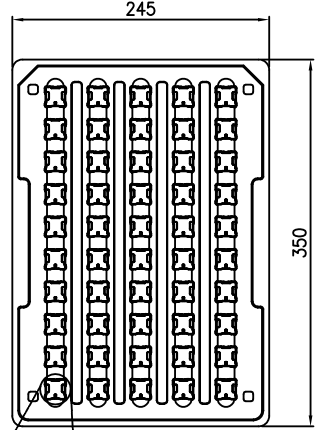
HTTP://www.huilyn.com



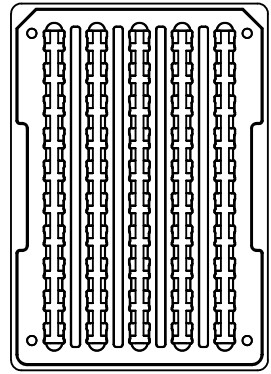
(二)捆好的产品套防水袋，放2包干燥剂



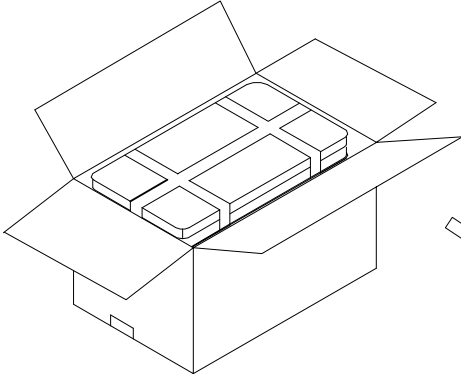
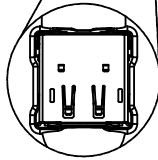
(一)装好产品，盖好上盖，每10盘一捆，底部垫纸板，用PE膜缠工字



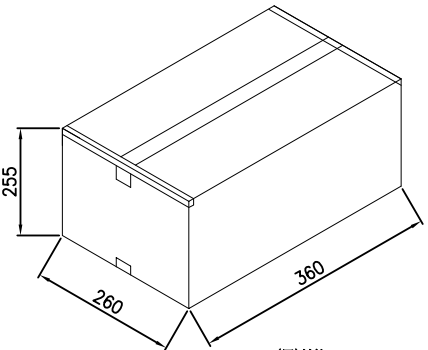
(底盖) 每盘装50PCS



(上盖)



(三)装箱



(四)封箱

- 包装说明:
1. 数量: 每盘=50Pcs
每箱=500Pcs
 2. 每10盘一捆，底部垫纸板。
 3. 装箱，套防水袋，放干燥剂。
 4. 外箱尺寸: 36.0*25.5*26CM。

HULYN

深圳惠興力电子有限公司
SHEN ZHEN HUILY ELECTRONICS CO.,LTD.

FILE NO : H164(Series)

TITLE 圖名	DP+HDMI 90度 DIP HDMI脚 间距16.50无柱		UNIT 單位	mm inch
PART NO. 料號	H164-FR01-3EB0-CR-LHS		SCALE 比例	1:1
DRAWN BY 製圖	Huang	DATE 日期	2023-07-06	REV. 版本
CHECKED BY 審核	Zhu	DATE 日期	2023-07-06	

TOLERANCE(公差):
0.000 mm ± 0.10 mm
0.00 mm ± 0.25 mm
0.0 mm ± 0.30 mm

A0	RELEASED	Huang	2023-07-06
REV	DESCRIPTION.	APPD.	Date