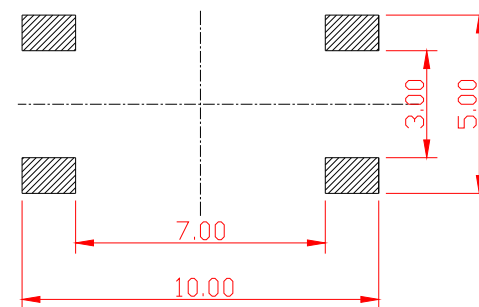
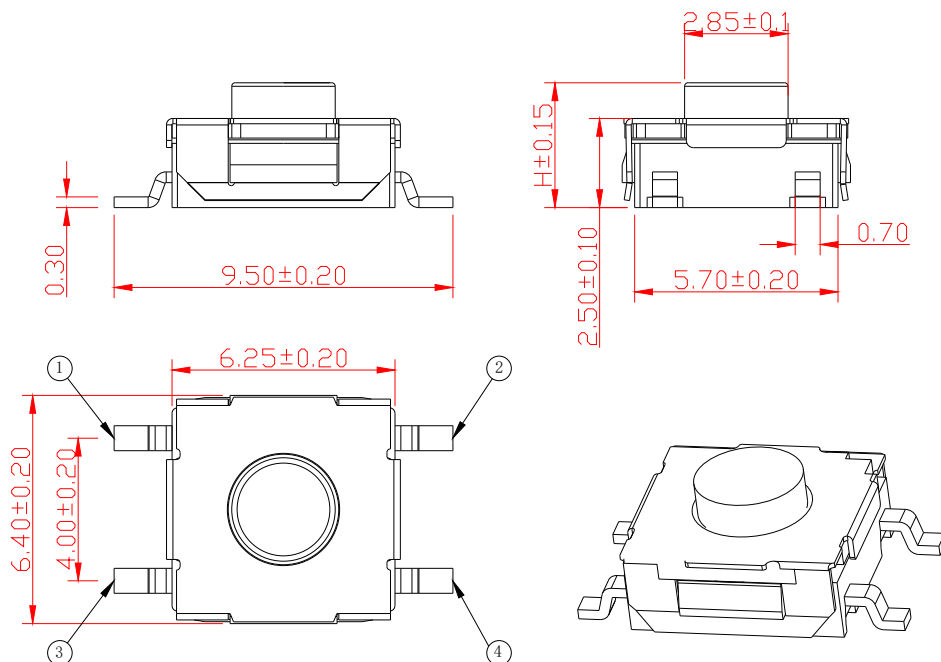
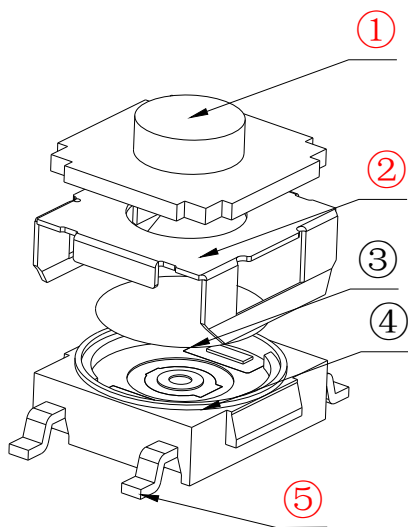


Rohs

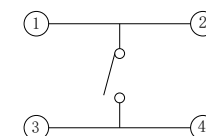


CAD GENERATED DRAWING. DON'T CHANGE BY HAND.

REV.	ECN. NO.	APPD.



PCB. WELDING DRAWING



CIRCUIT DIAGRAM

Specification

Operating Life	300,000
Contact rating	50mA@12V DC.
Insulation resistance	50Ω min.
Contact resistance	100mΩ max. initial.
Dielectric Strength	250 V AC(1mm)
Travel	0.4±0.2mm
Storage Temperature	-30° C to 80° C

Mechanical

ITEM	DESCRIPTION	MATERIAL	QTY	FINISH/COLOR
E	Button	Silica	1	Pickling
D	COVER	Stainless Steel	1	Cleaning
C	DOME	Stainless Steel	1	Plated Ag
B	HOUSING	PPA	1	Black
A	PIN	PHOSPHOR BRONZE	1	Plated Ag

Type	Operatin g Force(gf)	Heiht mm	Button Shape(G, J, T)	Leads Ground pin (0, 1)	Pegs Option(0, 1)
YTS2K009	400gf±40	H 5.5	E (Ecru) U (Bale) W (White)	G	0 (None)
		G 5.2			
	250gf±40	F 5.0			
		E 4.5			
	200gf±40	D 4.3			
160gf±40	C 3.8				
	B 3.5				
1	160gf±40	A 3.1			

THESE DRAWINGS AND SPECIFICATIONS ARE THE PROPERTY OF YIYUAN TECHNOLOGY CO.,LTD AND SHALL NOT BE REPRODUCED, COPIED OR USED IN ANY MANNER WITHOUT THE PRIOR WRITTEN CONSENT OF YIYUAN TECHNOLOGY CO.,LTD

X. ±0.50	X.° ±2°	UNITS mm
.X ±0.30	.X° ±1°	
.XX ±0.10	.XX° ±0.5°	MAT'L
.XXX ±0.05		FINISH
		Q'TY

yiYUAN 深圳市怡远科技有限公司
SHENZHEN YIYUAN TECHNOLOGY CO.,LTD

PART NO. YTS2K009 TITLE: TACTILE SWITCH 6.2*6.2 G SMT

APPD: RDOGER DWG NO.: YTS2K009

CHKD: RDC

DR: BILLY WANG 2020/08/21

SCALE SHEET REV. 1/1 1/1 A1

Packaging:
Reel of 1,500 pieces for 3.1-3.5H
Reel of 1,000 pieces for 4.3-5.5H