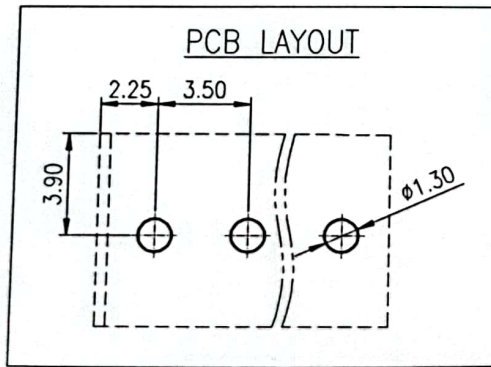
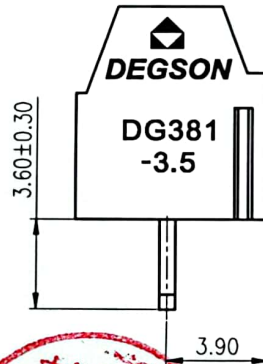
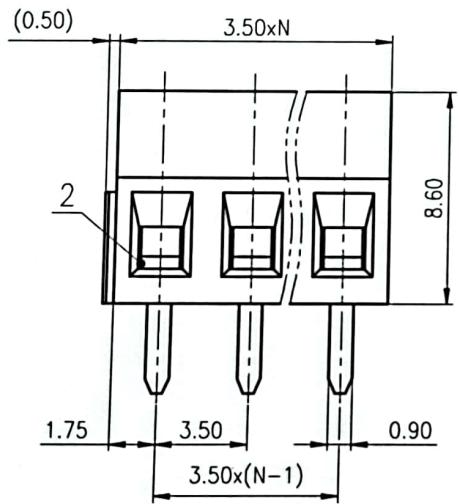
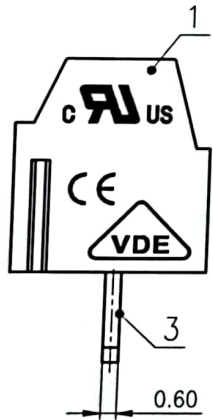
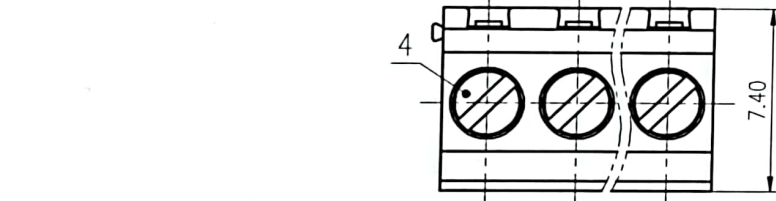


公差/General tolerances(mm)													D		
0	>3	>6	>10	>18	>30	>50	>80	>120	>180	>250	>315	>400	>500	0.1/10	±Z
±0.12	±0.18	±0.22	±0.26	±0.31	±0.37	±0.57	±0.80	±0.93	±1.05	±1.15	±1.60	±2.20	±2.50		



ITEM	NAME OF PART	MATERIAL	NOTES
4	Screw	Steel	M2/Zn Plated
3	Pin header	Copper alloy	Sn Plated
2	Cage	Copper alloy	M2/Ni Plated
1	Housing	PA66	UL94V-0
UL 标准/UL Standard:		B	C
额定电压/电压/Rated Voltage(V)/Current(A)		300/10	/
IEC 标准/IEC Standard:			
过压类别/Overvoltage Category/污染等级/Pollution Degree		/	III/2
额定电压/电压/Rated Voltage(V)/Current(A)		/	130/10
工频耐压/Withstanding Voltage(V/Min)		/	AC1250
螺丝扭矩/Torque Tightening(N·m/Lb.in)		M2, 0.2/1.77	
线径范围(硬线和软线)/Wire Range(rigid and flexible)(mm <sup>2</sup> /AWG)		0.5~1.0/26~16	
间距/Pitch(mm)/线数范围/Poles		3.50/N=02~24P	
剥线长度/Stripping length(mm)		5~6	
使用温度范围/Operating temperature(°C)		-40~+105	
符合RoHS环保要求/Conform to RoHS		Yes	
标准颜色编号/Standard color number:		/	
PANTONE / RAL		/	



MATERIAL: /	SURFACE: /		
MAT NO.: /	<b>宁波高松电子有限公司</b> <b>NINGBO DEGSON ELECTRICAL CO., LTD</b>		
STATUS: /			
APPD: Li GL 2020.06.22	NAME: <b>DG381-3.5-XXP-1Y-00A(H)</b>		
CHKD: Mao J 2020.06.22	DRAWING NO.: 10000242		
DRFT: Wang LX 2020.06.22	REV	T1	
SIZE: A4	TYPE: CUSTOMER DRAWING		SCALE: 4:1 SHEET 1/1

REV	ECN	DESCRIPTION	DRFT	DATE

