

DIMENSIONS				
POSITION	A ±0.20	C ±0.25	D ±0.25	E ±0.3
36	6	9.15	25	27
64	20	23.15	39	41
98	37	40.15	56	58
164	70	73.15	89	91

2	-----	Lin xuejun	Oct,14,2022
1	-----	Zhong Chunyu	Sep,01,2022
0	-----	Lei Songping	Mar,25,2022
REV	ECN NO.	NAME	DATE

TOLERANCE	
LINEAR	ANGLES
X.±0.40	X'±
.X±0.30	.X'±
.XX±0.20	.XX'±
.XXX±0.10	.XXX'±

UMax conn 东莞市友贸实业有限公司
DONGGUAN UMAX ENTERPRISE LIMITED

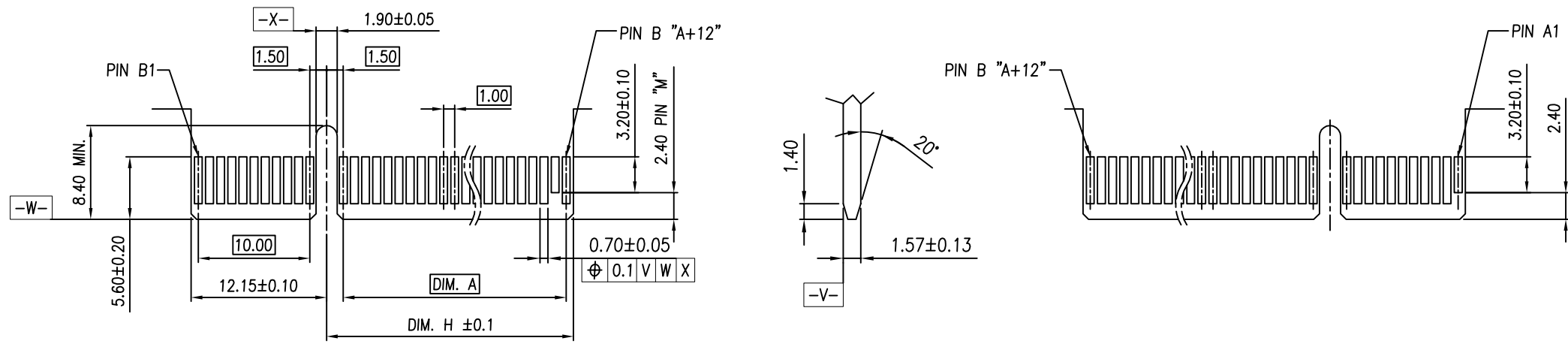
APPD: Jason MAT'L:
CHKD: Schumi FINISH:
DRWN: Lei Songping Q'TY:

TITLE: PCI EXPRESS 4.0
SMT TYPE

PART NO. 91618-110XXXX

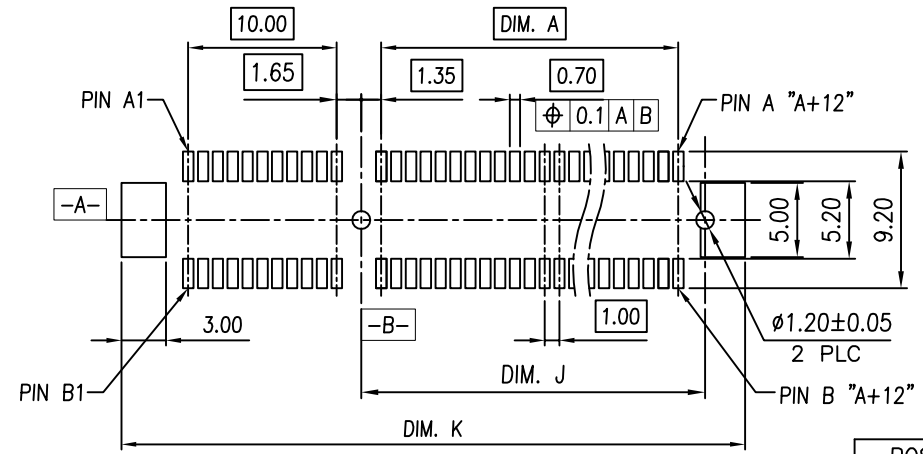
DWG NO. C-91618

UNITS	SCALE	SHEET	REV
MM	1 : 1	1 OF 3	2



← I/O PANEL DIRECTION
PRIMARY (COMPONENT) SIDE

NOTES:
CHAMFER EDGE MUST BE FREE OF CUTTING BURRS SECONDARY (SOLDER) SIDE



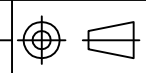
RECOMMENDED PCB LAYOUT
(COMPONENT SIDE)

TOLERANCE: ±0.05

POS.	DIM. A	DIM. H	DIM. J	DIM. K	"M"
36	6	8.15	9.15	28.0	B17
64	20	22.15	23.15	42.0	B31
98	37	39.15	40.15	59.0	B48
164	70	72.15	73.15	92.0	B81

TOLERANCE		UMax conn 东莞市友贸实业有限公司 DONGGUAN UMAX ENTERPRISE LIMITED	TITLE:	
LINEAR	ANGLES		PCI EXPRESS 4.0 SMT TYPE	
X.±	X'.±	APPD: Jason	MAT'L:	PART NO. 91618-110XXXX
.X±	.X'±			DWG NO. C-91618
.XX±	.XX'±	CHKD: Schumi	FINISH:	UNITS SCALE SHEET REV MM 1 : 1 2 OF 3 2
.XXX±	.XXX'±	DRWN: Lei Songping	Q'TY:	

See Sheet 1			
REV	ECN NO.	NAME	DATE



NOTES:

1. MATERIAL:

- 1.1 HOUSING: THERMOPLASTIC, HIGH TEMP, UL94V-0, COLOR: BLACK.
- 1.2 CONTACTS: COPPER ALLOY.
- 1.3 HOLDDOWN: COPPER ALLOY.
- 1.4 CAP: THERMOPLASTIC, HIGH TEMP, UL94V-0, COLOR: BLACK.

2. FINISH:

2.1 CONTACT:

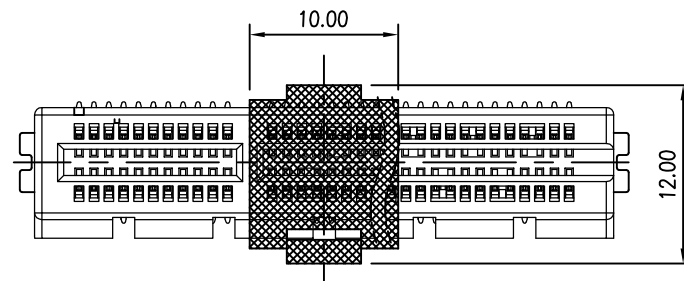
SELECTIVE GOLD PLATING ON THE CONTACT AREA.
 100μ" MIN. MATTE-TIN PLATING ON THE SOLDER TAILS,
 50μ" MIN. NICKEL UNDERPLATING OVERALL.

2.2 HOLDDOWN:

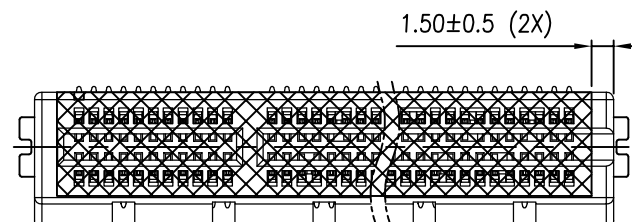
100μ" MIN. MATTE-TIN PLATING WITH 50μ" MIN. NICKEL UNDERPLATE OVERALL.

4. PRODUCT SPEC: PS-GEN4-01

5. PACKAGING SPEC: 311304001 FOR TRAY, 311304002 FOR REEL, 311304003 FOR HARD TRAY



WITH CAP
SCALE 1:2



POSITION OF
MYLAR

PART NO.

91618 - 1 1 0 X X X XX

Ridge Options
1: With Ridge

HSG Color
1: Black

Post Options
0: With Post

Contact Plating
0: 30u" Gold
1: 15u" Gold
2: Gold Flash

Halogen Options
Blank: Halogen
HF: Halogen Free

Packaging Options
T: Tray Packaging
C: Tray Packaging With Cap
N: Tray Packaging With Mylar
R: Tape & Reel Packaging
P: Tape & Reel Packaging With Cap
M: Tape & Reel Packaging With Mylar
Y: Hard Tray Packaging
Z: Hard Tray Packaging With Mylar
B: Hard Tray Packaging With Cap

No. of Pins
0: 36P
1: 64P
2: 98P
3: 164P

TOLERANCE	
LINEAR	ANGLES
X.±	X'.±
.X±	.X'±
.XX±	.XX'±
.XXX±	.XXX'±

UMax conn 东莞市友贸实业有限公司
DONGGUAN UMAX ENTERPRISE LIMITED

TITLE: PCI EXPRESS 4.0
SMT TYPE

PART NO. 91618-110XXXXX

DWG NO. C-91618

APPD: Jason MAT'L:
CHKD: Schumi FINISH:
DRWN: Lei Songping Q'TY:

UNITS	SCALE	SHEET	REV

See Sheet 1			
REV	ECN NO.	NAME	DATE