

SPECIFICATION

- CURRENT RATING : 5.0A FOR Vbus PIN, 1.25A FOR Vconn PIN, 0.25A FOR OTHER PINS.
- CONTACT RESISTANCE : 40mΩ.
- INSULATION RESISTANCE : 1000MQ MIN.
- DIELECTRIC WITHSTANDING VOLTAGE : 500 VAC MIN.
- OPERATING TEMPERATURE : -40°C TO +85°C.
- MATING FORCE : 5~20N.
- UNMATING FORCE : 8~20N.
- DURABILITY : 10,000 CYCLES.
- RECOMMENDED PROCESS : THE PEAK TEMPERATURE ON THE BOARD SHALL MAINTAIN 260°C.

A1	A2	A3	A4	A5	A6	A7	A8	A9	A10	A11	A12	
GND	TX1+	TX1-	VBUS	CC1	D+	D-	SBU1	VBUS	RX2-	RX2+	GND	
GND	RX1+	RX1-	VBUS	SBU2	D-	D+	CC2	VBUS	TX2-	TX2+	GND	
B12	B11	B10	B9	B8	B7	B6	B5	B4	B3	B2	B1	
5	TERMINAL	24	COPPER ALLOY	MATING SIDE: Au 30u"MIN; SOLDER TAIL: Gold FLASH, 50u" NICKEL OVERALL							T=0.12	
4	OUT SHELL	1	STAINLESS STEEL	NICKEL PLATING							T=0.30	
3	MAIN SHELL	1	STAINLESS STEEL	NICKEL PLATING							T=0.30	
2	MID PLATE	1	STAINLESS STEEL	NICKEL PLATING							T=0.15	
1	MAIN HOUSING	1	HIGH TEMPERATURE								BLACK UL94V0	
ITEM	DESCRIPTION	QTY	MATERIAL	FINISH							REMARK	

(PCB EDGE REFERENCE)

RECOMMENDED P.C.B LAYOUT
TOLERANCE ± 0.05mm (TOP VIEW)

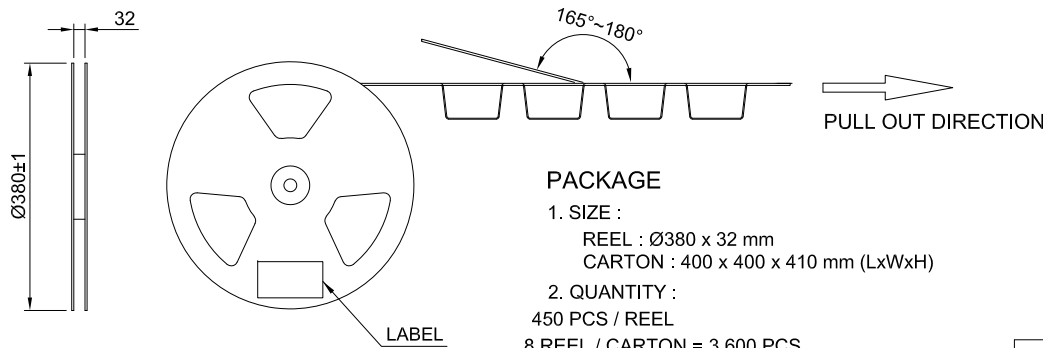
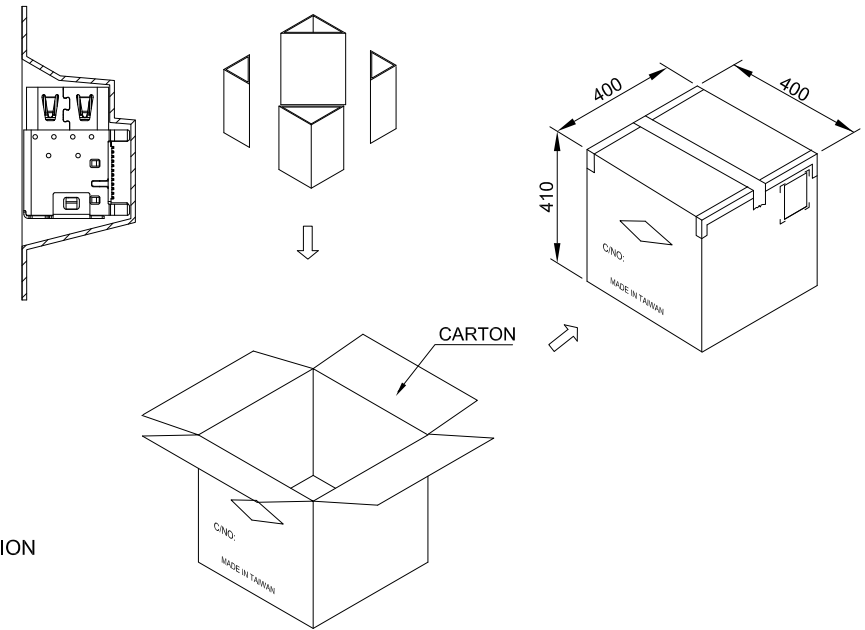
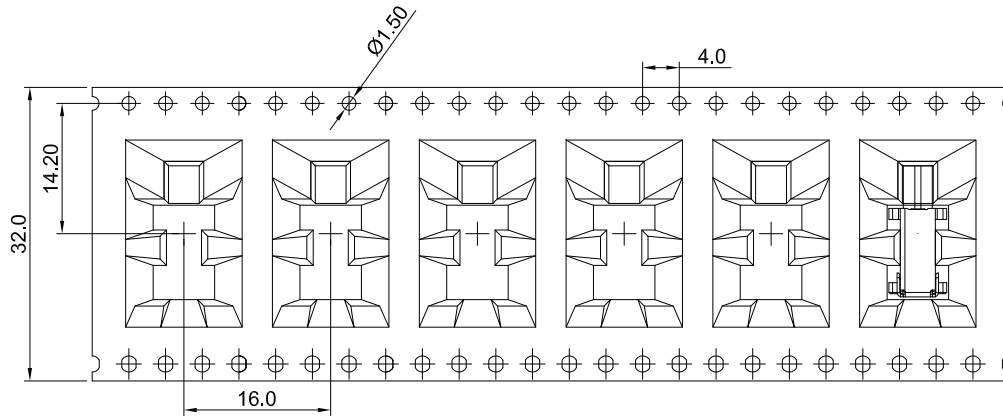
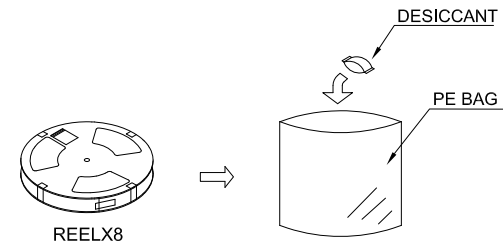
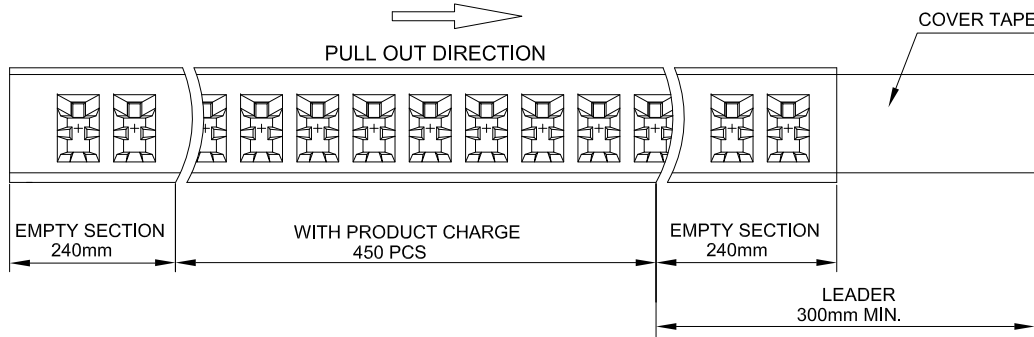


品赞科技
b-Switch

Unless otherwise specified, Tolerance:
 X. ±0.30
 X.x ±0.20
 X.xx ±0.15
 X.xxx ±0.10
 Angles ±3°

G-Switch Electronic (HongKong) CO.,Ltd.


DESIGN Li Qingqi	DATE 2022.05.13	Molde code:	
CHECKED	DATE	GT-USB-7092A	
APPROVED	DATE		
http://www.dg-switch.com		REV.: X1	SCALE: 4:1
TEL:0769-82388879		UNIT: mm	
		SIZE: A4	SHEET: 1/1



PACKAGE

- 1. SIZE :
 REEL : Ø380 x 32 mm
 CARTON : 400 x 400 x 410 mm (LxWxH)
- 2. QUANTITY :
 450 PCS / REEL
 8 REEL / CARTON = 3,600 PCS



	G-Switch Electronic (HongKong) CO.,Ltd.		
	DESIGN Li Qingqi CHECKED APPROVED http://www.dg-switch.com TEL:0769-82388879	DATE 2022.05.13 DATE DATE REV.: X1 SCALE: 4:1 SHEET: 1/1	Molde code: GT-USB-7092A UNIT: mm
Unless otherwise specified, Tolerance: X. ±0.30 X.x ±0.20 X.xx ±0.15 X.xxx ±0.10 Angles ±3°	