

深圳市盈凯隆科技有限公司

LED 专业制造商

Shenzhen YingKaiLong Technology Co., Ltd.

电话: (0755)28108262

传真: (0755)28150881

## 产品承认书

### PRODUCT SPECIFICATION

CUSTOMER: 深圳市华秋科技有限公司

Model No: YKL-3mmG520DZ

EmittingColor: 3mm 翠绿雾状 带灯座

SAMPLE QTY: 10 PCS (2024. 3. 26)

客户承认签核 (CUSTOMER APPROVAL)

--

内部签核 (SIGNATURE)

核 准 (APPROVAL)	确 认 (CONFIRM)	制 作 (ENGINEER)
		宋林青

深圳市盈凯隆科技有限公司

LED 专业制造商

Shenzhen YingKaiLong Technology Co., Ltd.

电 话: (0755)28108262

传 真: (0755)28150881

---

### 3mm Green LED Lamps

#### Features

- Choice of various viewing angles
- Available on tape and reel.
- Reliable and robust
- Pb free
- The product itself will remain within RoHS compliant version.

#### Descriptions

- The series is specially designed for applications requiring higher brightness
- The led lamps are available with different colors, intensities.

#### Applications

- TV set
- Monitor
- Telephone
- Computer

LED	Material	Emitted Color	Lens Color
3mm 翠绿雾状 带 灯座	InGaN	Green	雾状

深圳市盈凯隆科技有限公司

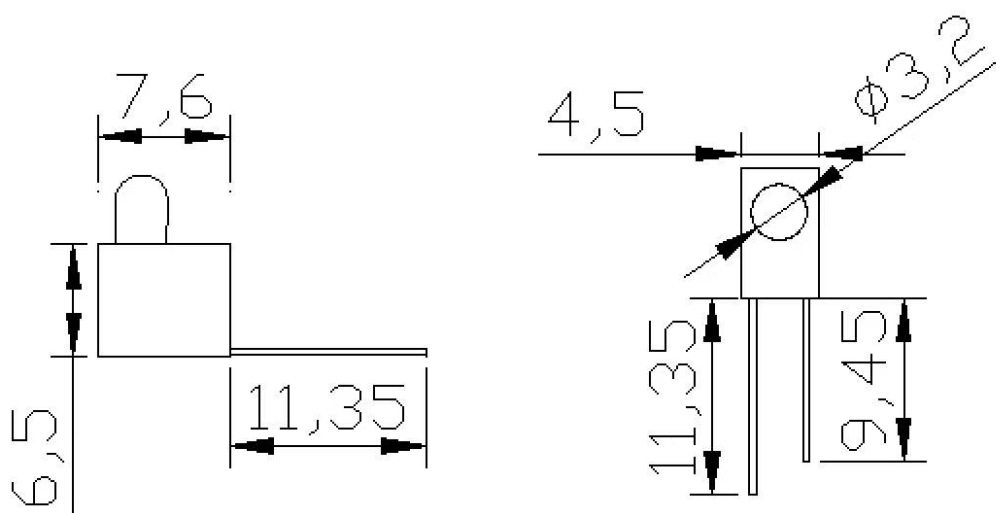
LED 专业制造商

Shenzhen YingKaiLong Technology Co., Ltd.

电话: (0755)28108262

传真: (0755)28150881

**Package Dimensions**



备注:

1. 单位毫米;

2. 公差0.2mm

深圳市盈凯隆科技有限公司

LED 专业制造商

Shenzhen YingKaiLong Technology Co., Ltd.

电话: (0755)28108262

传真: (0755)28150881

■ Absolute Maximum Ratings at Ta = 25°C

Parameter	Symbol	Rating	Unit
Forward Current	IF	25	mA
Operating Temperature	Topr	-40 to +85	°C
Storage Temperature	Tstg	-40 to +100	°C
Electrostatic Discharge	ESD	2000	V
Soldering Temperature	Tsol	260 ± 5	°C
Power Dissipation	Pd	60	mW
Reverse Voltage	VR	5	V

Note: \*1:Soldering time ≤ 5 seconds.

Electro-Optical Characteristics (Ta=25°C)

Parameter	Symbol	Condition	Min.	Typ.	Max.	Unit
Forward Voltage	VF	IF= 20 mA	2.9	--	3.3	V
Reverse Current	IR	VR= 10V	/	/	3	μA
Luminous Intensity	Iv	IF= 20 mA	2000	--	5000	mcd
Peak Wavelength	λp	IF= 20 mA	515	--	530	nm