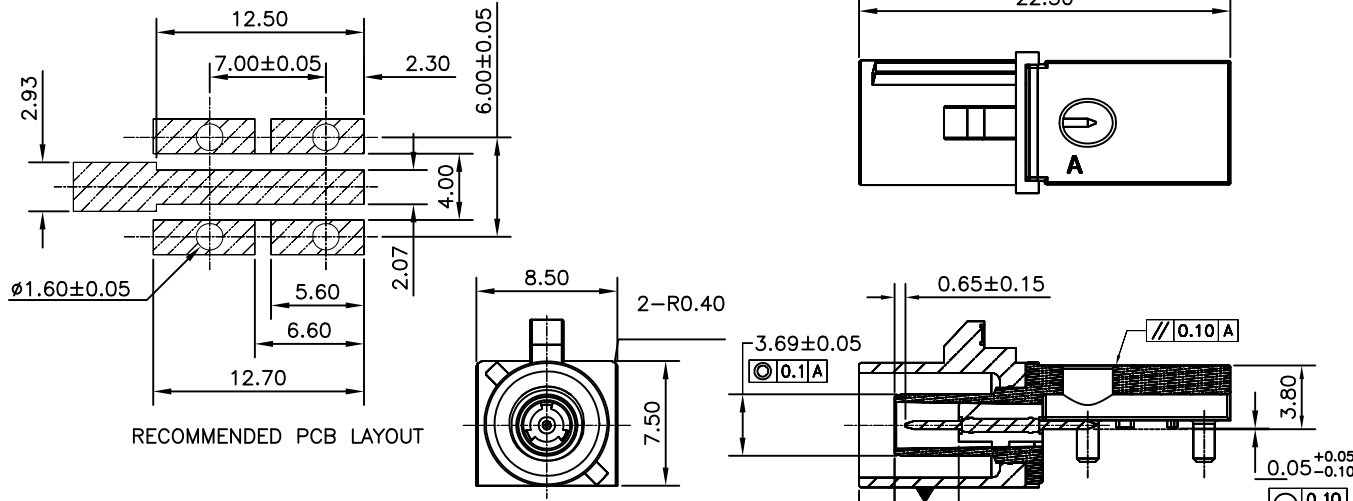


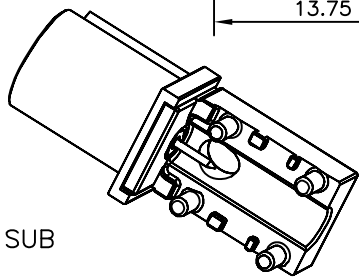
A B C D E F G H I J



RECOMMENDED PCB LAYOUT

NOTES :

1. ELECTRICAL PERFORMANCE :
 - 1.1 IMPEDANCE : 50 OHMS
 - 1.2 CONTACT RESISTANCE (CENTER PIN) : 5mΩ MAX.
 - 1.3 FREQUENCY RANGE : DC~ 6.0 GHz
 - 1.4 RETURN LOSS : ≥26 dB , DC TO 1 GHz
 - 1.5 INSERTION LOSS : ≤0.1 X √f(GHz) dB
 - 1.6 INSULATION RESISTANCE : ≥1000MΩ
 - 1.7 TEST VOLTAGE : 750V RMS
 - 1.8 WORKING VOLTAGE : 335V RMS
 - 1.9 POWER CURRENT : ≤1A DC
2. MECHANICAL :
 - 2.1 DURABILITY (MATING) : ≥25 CYCLE
 - 2.2 ENGAGEMENT FORCE : ≤25N
 - 2.3 UNENGAGEMENT FORCE : ≥2N
 - 2.4 RETENTION FORCE (INSULATOR) : ≥40N
 - 2.5 RETENTION FORCE (LOCK) : ≥110N
3. OTHERS :
 - 3.1 THIS COMPONENT AND ITS HOMOGENEOUS SUB COMPONENTS ARE RoHS COMPLIANT



3D VIEW AS SHOWN

14	Z	ARFTZB36127-TGZ	WATER BLUE	
13	N	ARFTZB36127-TGN	PASTEL GREEN	
12	M	ARFTZB36127-TGM	PASTEL ORANGE	
11	L	ARFTZB36127-TGL	RED	
10	K	ARFTZB36127-TGK	CURRY YELLOW	
9	I	ARFTZB36127-TGI	BEIGE	
8	H	ARFTZB36127-TGH	HEATHER VIOLET	
7	G	ARFTZB36127-TGG	BLUE GREY	
6	F	ARFTZB36127-TGF	NUT BROWN	
5	E	ARFTZB36127-TGE	LEAF GREEN	
4	D	ARFTZB36127-TGD	BORDEAUX VIOLET	
3	C	ARFTZB36127-TGC	SIGNAL BLUE	
2	B	ARFTZB36127-TGB	CREAM WHITE	
1	A	ARFTZB36127-TGA	DEEP BLACK	
ITEM	TYPE	PART NUMBER	COLOR	FEATURE

INSULATOR	HTN UL94V-0 RoHS	NATURAL
CONTACT	C2680	GOLD
BODY	ZINC ALLOY	TIN
HOUSING	PA6T UL94V-0	SEE TABLE
DESCRIPTION	MATERIALS	FINISHED

Part No : SEE TBALE

REV.	DESCRIPTION	ECN NO.	NAME	CHECK	DATE
2	ADD PART NUMBER	---	KEN	---	2020/7/31
1	ADD RECOMMENDED PCB LAYOUT	---	KEN	---	2020/1/9

REVISIONS

QUALITY SYMBOLS MAJOR Ⓢ CRITICAL Ⓢ	DRAWN BY Ken Kan DATE 2020/07/31	
GENERAL TOLERANCES (UNLESS SPECIFIED) X ±0.5 .X ±0.25 .XX ±0.15 .XXX ±0.1 ANGLES ±2°	CHECKED BY DATE	
APPROVED BY DATE		TITLE FAKRA R/A PLUG PCB RECEPTACLE
UNITS mm		SIZE A4
SCALE 5:1	SHEET NO. 1 OF 1	RFG NO. Q2001001
		DWG NO. C-ARFTZB36127-TGx