

REVISION RECORD				
REV	ECN	DESCRIPTION	DRFT	DATE
AO		NEW		20.12.9

- NOTES1:
- UL Standard
- 1.Rated voltage/current : 600V / 41A
  - 2.Withstanding voltage : AC2200V/1Min.
  - 3.Torque value : M3 , 7.0Lb.in
  - 4.Wire range : 24~8AWG(str)  
24~10AWG(sol)

- IEC Standard
1.

Pollution degree	2	2	3
Overtoltage category	II	III	III
Rate impulse voltage(KV)	6KV	6KV	6KV
Rate voltage(V)	1000V	1000V	1000V
Rate current(A)	41A		
  - 2.Torque value : M3 , 0.8N·m
  - 3.Wire range : 0.5~6mm<sup>2</sup>

- NOTES2:
- 1.Dimension shall be interpreted per ASME Y14.5-2009
  - 2.Pitch : 7.62mm, Poles : N=02~12P
  - 3.Stripping length : 11mm
  - 4.Operating temperature: -40°C~+105°C
  - 5.Undimensioned tolerances:

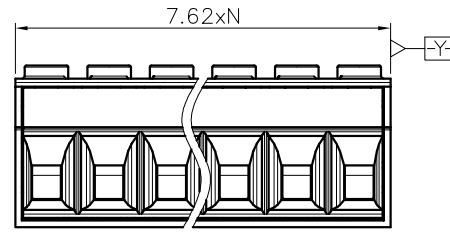
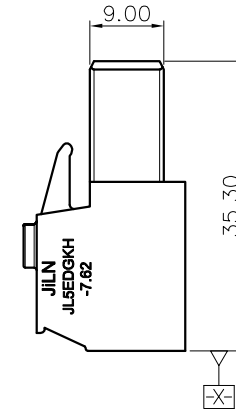
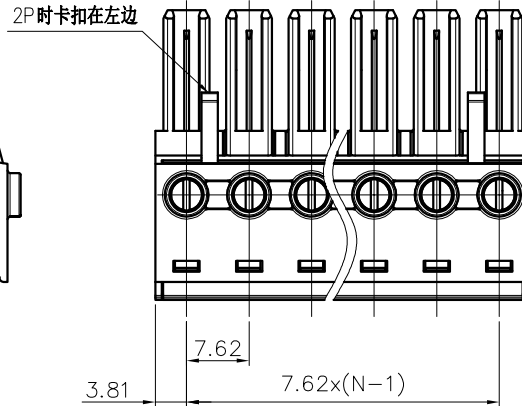
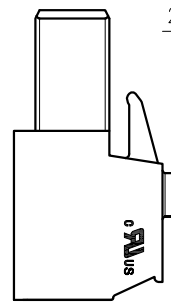
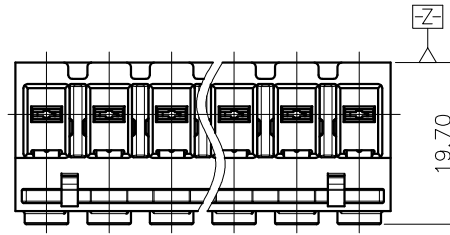
Pitch range in mm		Nominal dimension range in mm						0.1/10
TO	Over	TO	Over	TO	Over	TO	Over	
6	10	30	60	100	150			<
±0.15	±0.20	±0.30	±0.50	±0.70	±1.00	±1.30		±2'

6.RoHS Compliance

**Ordering Information**

**JL5EDGKH-762 XX G 0 1**

- Pitch 762=7.62PH
- No.of pins 2P,3P,4P~12P
- Housing Color: B=Black, G=Green, U=Blue, R=Red, W=White, Y=Yellow, D=Orange, E=Grey
- Packing: 0=Pe. bag, T=Tube, A=Tray



DRAW	SHUANGPING ZHENG	SCALE	FIT	<b>东莞市锦凌电子有限公司</b> DONGGUAN JINLING ELECTRONIC CO.,LTD	
CHECK	LICHAD LIU	UNIT	mm		
APPROVE	YONGLIANG GAO	SIZE	A4	PART NO.	JL5EDGKH-762XXG01
		SHEET	1/1	TITLE:	JL5EDGKH-7.62-XXP 插拔式母座/绿色
		PROJ.			