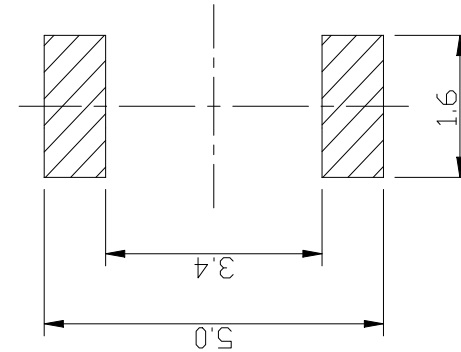
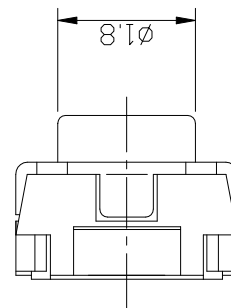
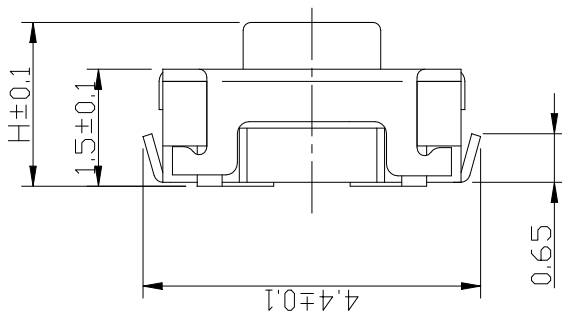


CIRCUIT DIAGRAM

| RevNo | Revision note | Date | Signature |
|-------|---------------|------|-----------|
|       |               |      |           |
|       |               |      |           |



P.C.B LAND DIMENSION



**NOTE**

1. RATING : DC 12V 50mA
2. CONTACT RESISTANCE : 100mΩ MAX 3.
- GENERAL TOLERANCE : ± 0.3
4. MANUFACTURING SPECIFICATION

**REFERENCE DRAWING**

| MODEL NAME | CODE NO. | "H"    | STEM COLOR | CASE COLOR | O/FORCE  | LIFE           |
|------------|----------|--------|------------|------------|----------|----------------|
|            |          | 2.5 mm | BLACK      | BLACK      | 250±30gf | 100,000 Cycles |

|             |           |              |  |          |       |       |      |            |   |
|-------------|-----------|--------------|--|----------|-------|-------|------|------------|---|
| Designed by | LUO JIE   |              | 深圳市怡远科技有限公司<br>SHENZHEN YIYUAN TECHNOLOGY CO., LTD |          |       |       |      |            |   |
| Checked by  |           |              | Unit   | mm       | Scale | 1/1   | Date | 2010.10.24 |   |
| Approved by |           | Item         | Tactile Switch                                     |          | Tool  | Sheet | 1/1  | Rev.       | 0 |
| Model       | YTS816SJK | Drawing name |  | ASSEMBLY |       |       |      |            |   |