

NOTES1:

- UL Standard
- 1. Rated voltage/current : 300V / 10A
- 2. Withstanding voltage : AC1600V/1Min.
- 3. Wire range : 24~16AWG

IEC Standard

1. Pollution degree	2	2	3
Overvoltage category	II	III	III
Rate impulse voltage(KV)	2.5KV	2.5KV	2.5KV
Rate voltage(V)	400V	200V	160V
Rate current(A)	17.5A		

2. Wire range : 0.2~1.5mm²

NOTES2:

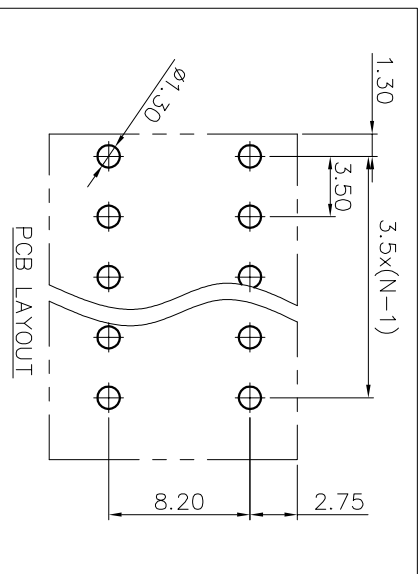
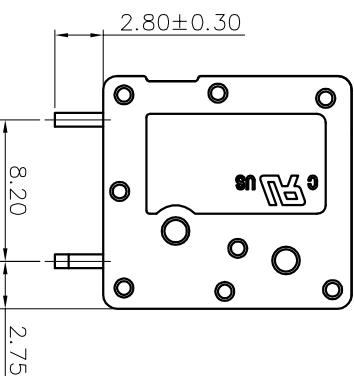
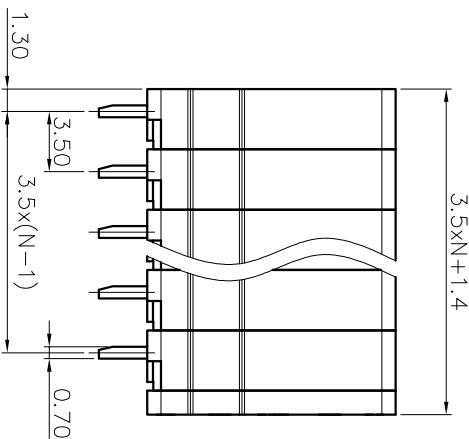
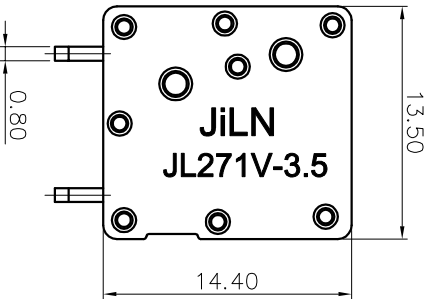
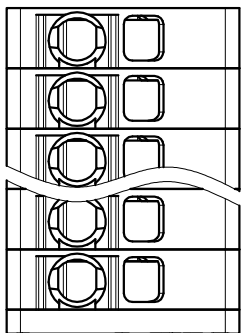
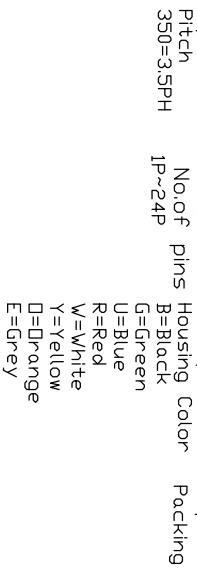
- 1. Dimension shall be interpreted per ASME Y14.5-2009
- 2. Pitch : 3.50mm, Poles : N=01~24P
- 3. Stripping length : 10mm
- 4. Operating temperature: -40°C~+105°C
- 5. Undimensioned tolerances:

Pitch range in mm	Nominal dimension range in mm			Tolerance
	Over	Over	Over	
6	10	30	60	0.1/10
TO	10	TO	TO	<
6	24	30	60	150
TO	10	30	60	100
TO	10	30	60	150

6. RoHS Compliance

Ordering Information

JL271V - 350 XX G 0 1



REVISION RECORD				
REV	ECN	DESCRIPTION	DRFT	DATE
A		NEW		22.06.30

DRAW	SHUANGPING ZHENG		SCALE	FIT	PART NO.	TITLE:
	CHECK	LICHAD LIU				
APPROVE	YONGLIANG GAO	SIZE	A4	SHEET	1/1	JL271V-350XXG01
		PRDJ				JL271V-3.5-XXP 弹簧式/直脚/双排/绿色

JILIN 东莞市锦凌电子有限公司
DONGGUAN JINLING ELECTRONIC CO., LTD