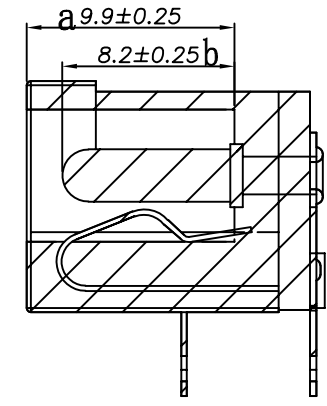
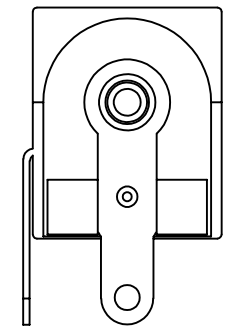


REV.	ECN NO.	MODIFY	MATTER	DATE	APPROVED
A		RELEASE TO PRODUCTION			



SPECIFICATION

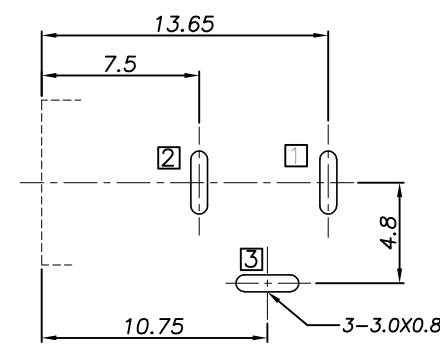
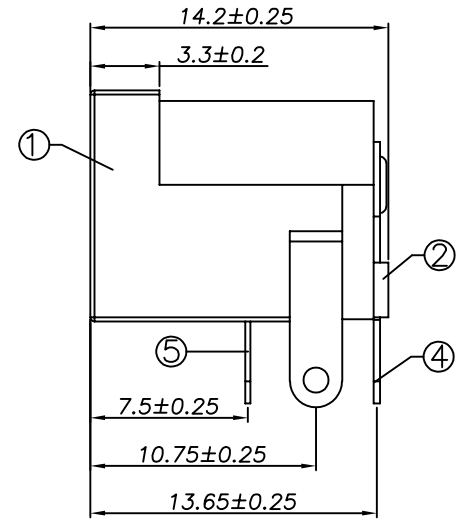
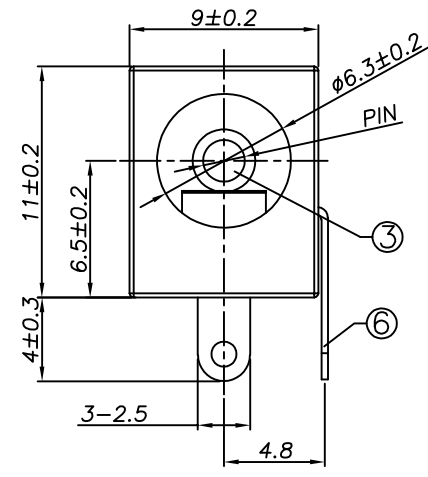
1. Rating : DC 12V 5A;
2. Contact resistance: $\leq 30m\Omega$;
3. Insulation resistance: $\geq 100M\Omega$ (DC500V);
4. Withstand voltage: 500VAC ;
5. Insertion and extraction force: 3-30N;
6. life test: 5,000 cycles;
7. Operation temperature range: $-25^{\circ}C \sim 70^{\circ}C$;
8. Preservative temperature range: $-30^{\circ}C \sim 75^{\circ}C$;
9. Sign "▲" is importance dimension.



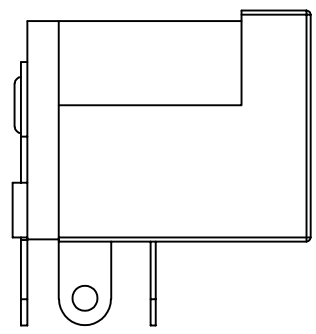
EAST-DC-005-X.XX-X

塑胶:
P/PBT
L/LCP

PIN	$\phi 1.65$	$\phi 2.00$	$\phi 2.50$
APPD	1.65	2.00	2.50

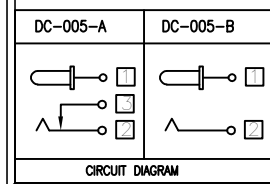


RECOMMENDED PCB LAYOUT
TOP VIEW (TOLERANCE: ± 0.05)



⑥	Shunt terminal	<input checked="" type="checkbox"/>	1	BRASS t0.3	CuSn plating
⑤	Tip spring	<input checked="" type="checkbox"/>	1	C5191 t0.25	CuSn plating
④	Center pin terminal	<input type="checkbox"/>	1	BRASS t0.35	CuSn plating
③	Center pin	<input type="checkbox"/>	1	H59	Nickel plating
②	Cover	<input type="checkbox"/>	1	PBT	Black
①	Housing	<input type="checkbox"/>	1	PBT	Black
NO.	DESCRIPTION		QTY	MATERIAL	REMARK

TOLERANCES UNLESS OTHERWISE SPECIFIED: X. --- X.X ± 0.38 X.XX ± 0.25 X.XXX ± 0.20 Angle $\pm 3'$	COSTUMER COPY		深圳市东方御业科技有限公司 WWW.DFYCONN.COM TEL:0755-27155560		
	DRAWN: Qinx 2017/09/10	TITAL:		DC JACK	
CHECKED: Chenl 2017/09/10	PART NO:		EAST-DC-005-X.XX-P (RoHS)		
APPROVED: Chenl 2017/09/10	UNIT: mm		SCALE: N/A	SHEEL:	REV.



DO NOT SCALE PRINT