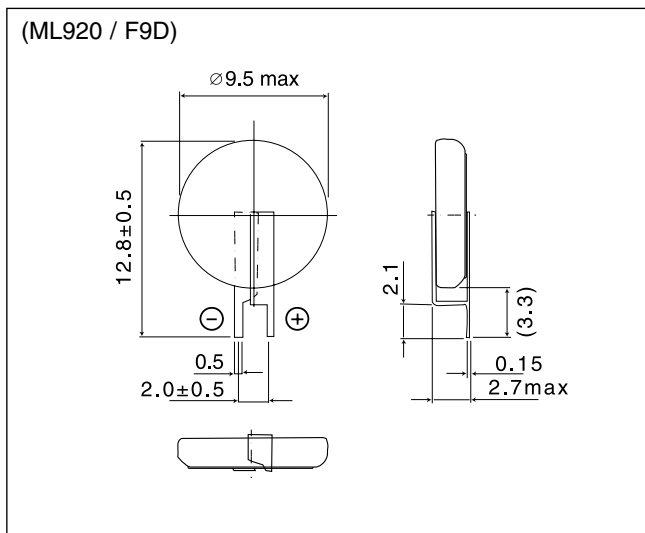


ML920

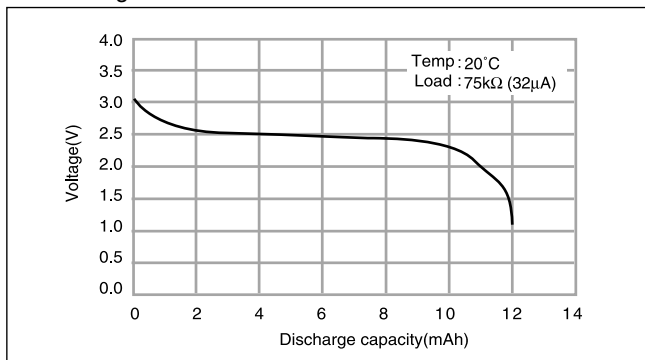
■ Dimensions(mm)



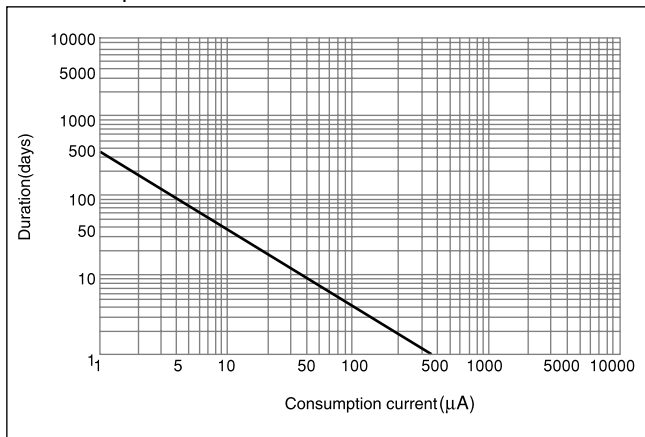
■ Specification

Nominal voltage(V)	3
Nominal capacity(mAh)	11.0
Continuous drain(mA)	0.03
Operating temperature(°C)	-20 to +60

■ Discharge characteristics

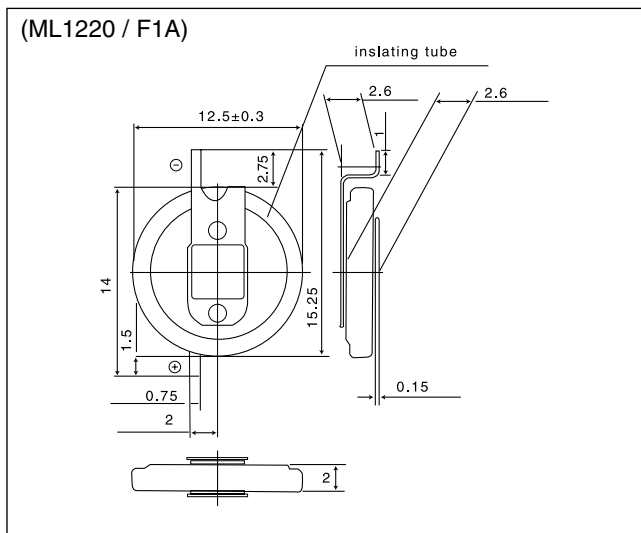


■ Consumption current vs. duration time



ML1220

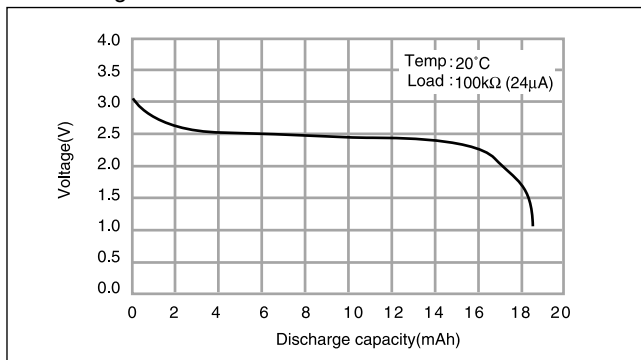
■ Dimensions(mm)



■ Specification

Nominal voltage(V)	3
Nominal capacity(mAh)	17.0
Continuous drain(mA)	0.03
Operating temperature(°C)	-20 to +60

■ Discharge characteristics



■ Consumption current vs. duration time

