



piezoelectric buzzer

YX-YD2312

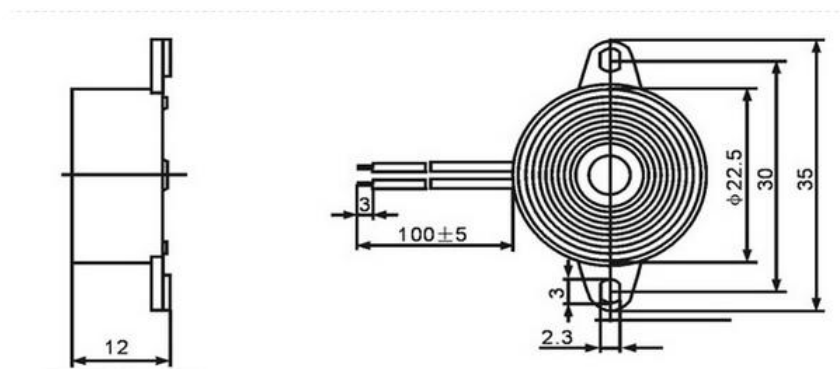
Electrical Characteristics



Rated Voltage(Square Wave)	V	6	12	24
Operating Voltage	V	3-9	8-16	18-28
*Rated Current(MAX)	mA	10	12	10
*Min Sound Output at 10 cm	dB	85	85	90
*Resonant Frequency	Hz	3300 ± 500	3300 ± 500	3400 ± 500
Operating Temperature	℃	-20~+60		
Housing Material		ABS		
Weight	g	14		

Dimensions

(UNT : mm) Tolerance : ±0.5mm Except Specified



Yue Xin Electronics Co., Ltd.

Add: People Industrial Park Chen Bao Town Xinghua City Jiangsu province China

Tel: +86 0523 83722059 **Fax:** +86 0523 83722259

Mob/whatsup: +8615952695023 **Mail:** annabuzzer@yahoo.com

Web: www.xhyxdz.com

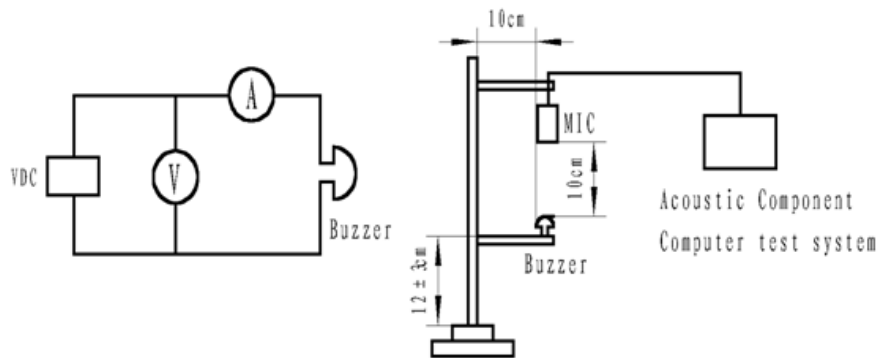


piezoelectric buzzer

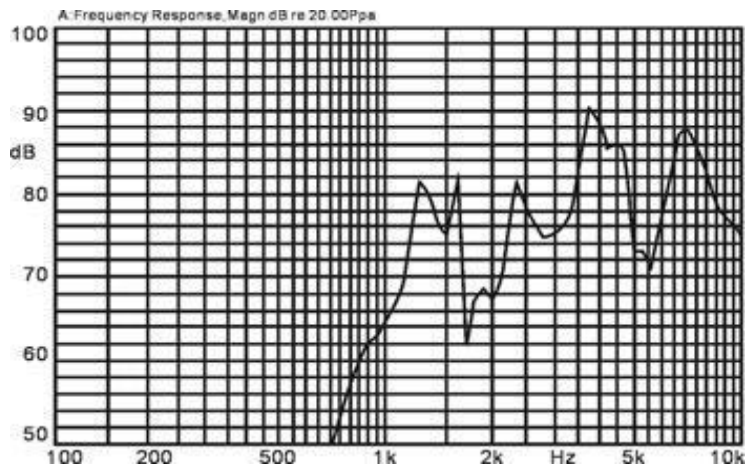
YX-YD2312



Testing Method:



Frequency Response:



Yue Xin Electronics Co., Ltd.

Add: People Industrial Park Chen Bao Town Xinghua City Jiangsu province China

Tel: +86 0523 83722059 Fax: +86 0523 83722259

Mob/whatsapp: +8615952695023 Mail: annabuzzer@yahoo.com

Web: www.xhyxdz.com