

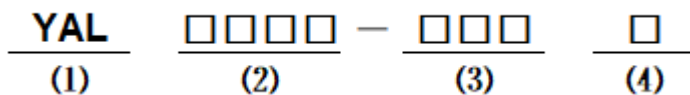
■ Features

- Low cost and high reliability.
- Coating epoxy resin that ensures the humidity resistance to be long life.
- Design to be compact,small and light-weight,wide range of inductance.
- Contibute to be high Q and self-resonent frequencies.
- Tapping type that is convenient for automatic insertion.

■ Applications

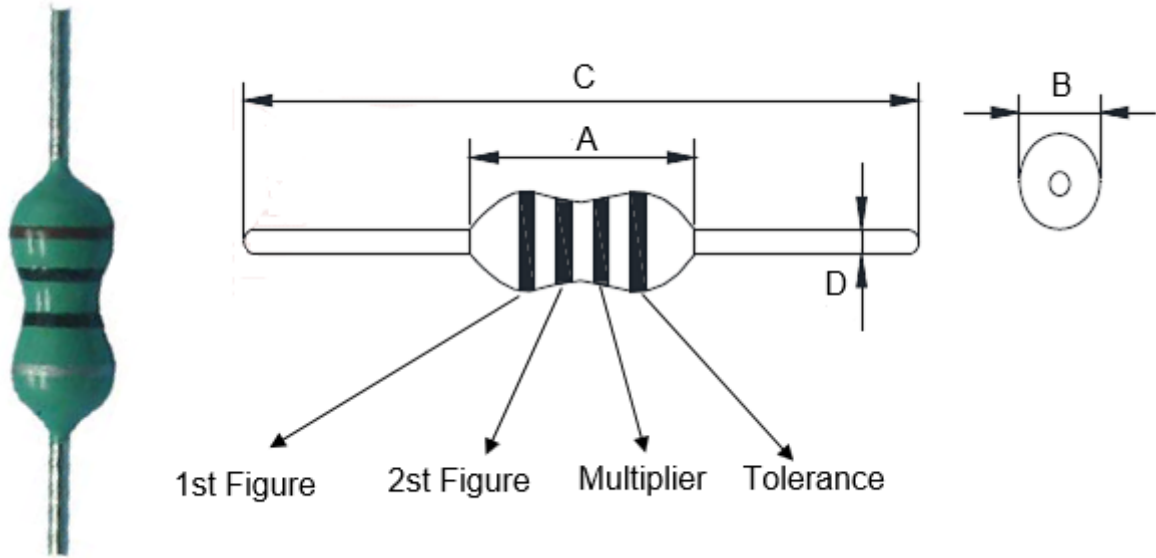
- Electronics products.
- Communication equipment.
- Computer Devices.
- TV,VCR and radios.

■ Product Identification



- (1) : Type
- (2) : Dimensions
- (3) : Inductance value
- (4) : Inductance Tolerance : N=±30%,M=±20% , K=±10% , J=±5%

Shapes and Dimensions (Unit: mm)



TYPE	A Max.	B Max.	C	D
YAL0307	8.0	3.0	62.0±2.0	0.50±0.05

Color Coding

Color	Nominal inductance (uH)			
	1st Figure	2nd Figure	Multiplier	Tolerance
Black 黑	0		×1	±20%
Brown 棕	1		×10	—
Red 红	2		×100	—
Orange 橙	3		×1000	—
Yellow 黄	4		—	—
Green 绿	5		—	—
Blue 蓝	6		—	—
Violet 紫	7		—	—
Gray 灰	8		—	—
White 白	9		—	—
Gold 金	—		×0.1	±5%
Silver 银	—		×0.01	±10%

■ YAL0307 Series

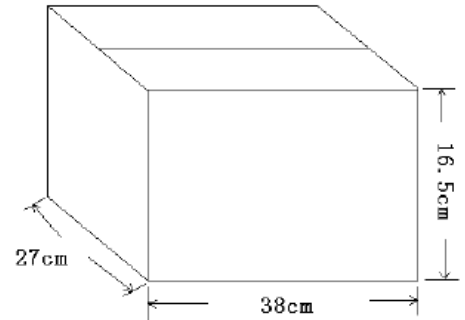
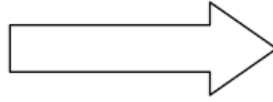
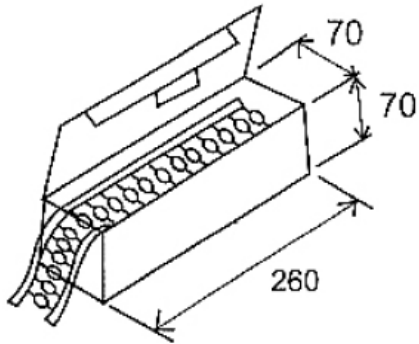
Part Number	Inductance (uH)	Test Freq. (MHz)	Q Min	SRF Min (MHz)	DCR Max. (Ω)	Rated Current(mA)
YAL0307-R10□	0.10	25.2	40	480	0.06	1400
YAL0307-R12□	0.12	25.2	40	450	0.06	1350
YAL0307-R15□	0.15	25.2	40	420	0.07	1270
YAL0307-R18□	0.18	25.2	40	400	0.07	1200
YAL0307-R22□	0.22	25.2	40	380	0.08	1150
YAL0307-R33□	0.33	25.2	40	350	0.10	1110
YAL0307-R39□	0.39	25.2	40	320	0.10	1000
YAL0307-R47□	0.47	25.2	40	300	0.11	1000
YAL0307-R68□	0.68	25.2	40	250	0.13	900
YAL0307-R82□	0.82	25.2	40	200	0.14	900
YAL0307-1R0□	1.0	25.2	40	180	0.15	815
YAL0307-1R2□	1.2	7.96	40	165	0.18	740
YAL0307-1R5□	1.5	7.96	40	150	0.20	700
YAL0307-1R8□	1.8	7.96	50	125	0.23	655
YAL0307-2R2□	2.2	7.96	50	110	0.25	630
YAL0307-3R3□	3.3	7.96	50	70	0.30	575
YAL0307-3R9□	3.9	7.96	50	65	0.32	555
YAL0307-4R7□	4.7	7.96	50	50	0.35	530
YAL0307-6R8□	6.8	7.96	50	30	0.45	470
YAL0307-8R2□	8.2	7.96	50	28	0.56	425
YAL0307-100□	10	7.96	50	22	0.75	370
YAL0307-120□	12	2.52	50	20	0.80	350
YAL0307-150□	15	2.52	50	16	0.93	335
YAL0307-180□	18	2.52	50	15	1.00	315
YAL0307-220□	22	2.52	50	13	1.20	285

■ YAL0307 Series

Part Number	Inductance (uH)	Test Freq. (MHz)	Q Min	SRF Min (MHz)	DCR Max. (Ω)	Rated Current(mA)
YAL0307-270□	27	2.52	50	11	1.80	270
YAL0307-330□	33	2.52	50	10	2.10	255
YAL0307-390□	39	2.52	50	9.5	2.30	240
YAL0307-470□	47	2.52	50	8.5	2.60	205
YAL0307-560□	56	2.52	50	7.5	2.90	195
YAL0307-680□	68	2.52	50	6.5	3.30	185
YAL0307-820□	82	2.52	50	6.0	3.80	175
YAL0307-101□	100	2.52	50	5.5	4.20	165
YAL0307-121□	120	0.796	60	5.4	4.70	160
YAL0307-151□	150	0.796	60	5.0	5.50	150
YAL0307-221□	220	0.796	60	4.0	6.50	130
YAL0307-331□	330	0.796	60	2.6	9.50	100
YAL0307-471□	470	0.796	60	2.4	12.5	90
YAL0307-561□	560	0.796	60	2.1	13.0	85
YAL0307-681□	680	0.796	60	2.0	18.0	75
YAL0307-821□	820	0.796	60	19	23.0	65
YAL0307-102□	1000	0.796	50	1.1	30.0	60

※ Design as Customer's Requested Specifications.

■ Package Specification (Unit:mm)



TYPE	Packaging Materials	Reference Dimension	Material	Quantity/Box	Quantity/Carton
YAL0307	Box	206x70x70(mm)	B5B-E	2000 PCS	20000 PCS