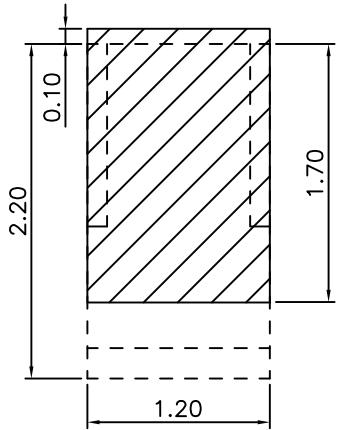
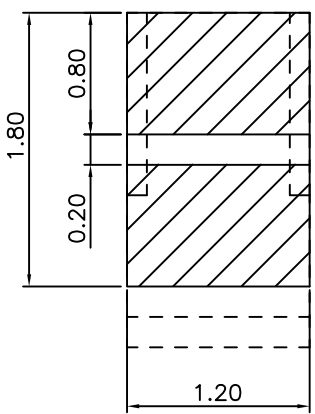
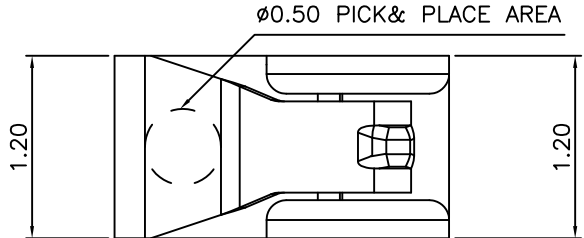
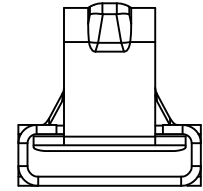
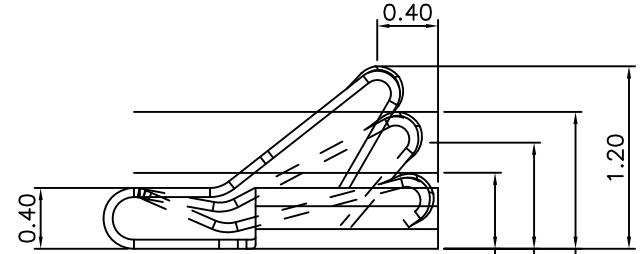
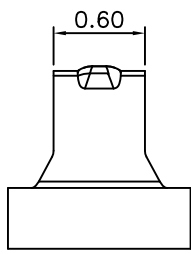


Rev.	ECN Number	Description	Date	Drawn	Checkd	Approved
A	ECN151936	NEW RELEASE	01/08'15	STAR HU		

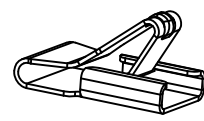


RECOMMENDED METAL MASK
TOLERANCE ±0.05MM

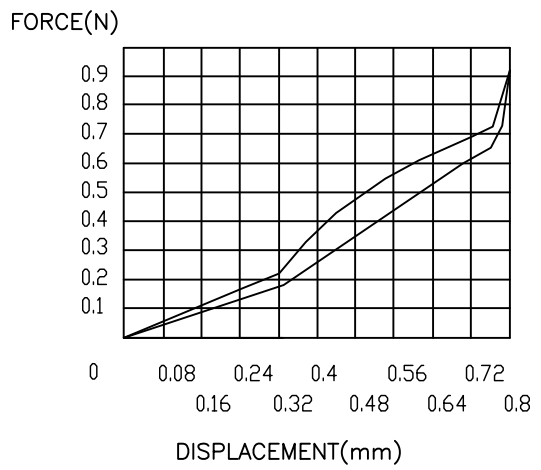
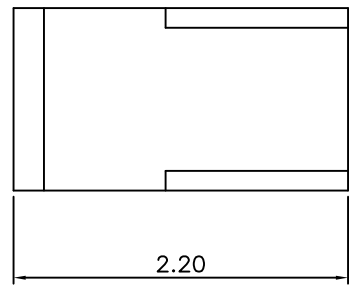
RECOMMENDED PCB LAYOUT
TOLERANCE ±0.05MM



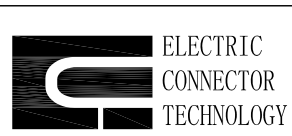
0.50MAX WORKING POSITION
0.70WORKING POSITION
0.90MIN WORKING POSITION



3D VIEW



- NOTES:
- MATERIAL:
 - 1-1: STAINLESS STEEL ,T=0.06mm.
 - 2-1: 3u" MIN. Au PLATING ON CONTACT AREA, GOLD FLASH PLATING ON SOLDER AREA, 50~150u" NICKEL UNDERPLATING OVER ALL.
 - SPECIFICATIONS:
 - 3-1.CONTACT RESISTANCE:50mΩ MAX.
 - 3-2.OPERATING TEMPERATURE: -20°C~+65°C.
 - 3-3.PRE-LOAD FORCE:0.30N ON CONTACT POINT.
 - 3-4.FORCE MAX. DEFLECTION:0.9N ON CONTACT POINT.
 - 3-5.MAX.BEAM DEFLECTION:0.7mm. ON CONTACT POINT.
 - RF PERFORMANCE:
 - 4-1.IMPEDANCE:50ΩHM.
 - 4-2.VSWR: 1.5MAX.(DC~3GHz)
 - 4-3.INSERTION LOSS: 0.6dBMAX.(DC~3GHz)
 - DURABILITY: 100 CYCLES.
 - PACKING SPECIFICATION:REEL&TAPE



GENERAL TOLERANCE	
XX. ±0.50	
X. ±0.35	X° ±2.0°
.X ±0.25	.X° ±1.0°
.XX ±0.15	.XX° ±0.5°

SCALE: 1:1
UNIT: mm
SIZE: A4

DRAWN Liang
CHECK
APPROVE

DATE 01/08'15
DATE
DATE

DWG. NO. 600-4111-01
PARTS NO.(INTENDED USE) 818004111

TITLE (CUSTOMER DRAWING)
Antenna RF Spring,SMT,
Au Plating, L2.2*W1.2*H1.2

REV. A
SHEET 1/1