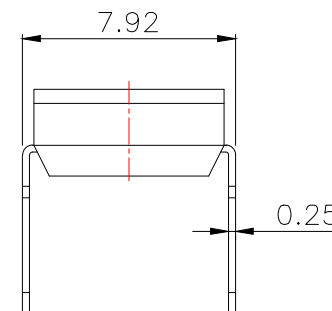
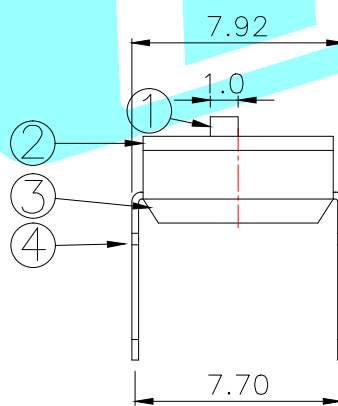
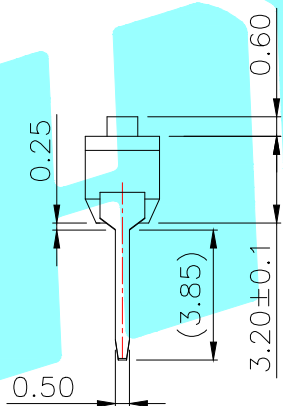
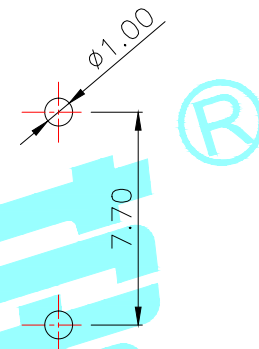
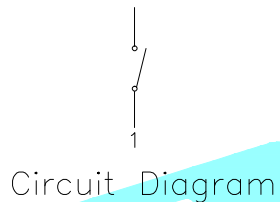
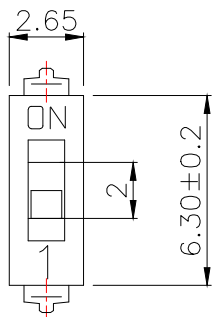


NOTE:
 1.Rating: 24V 25mA DC
 2.Insulation Resistance: $\geq 100 \text{ M}\Omega$
 3.Withstand voltage: AC 500V 1Minute
 4.Operating Force Range: 800gf Max
 5.Mechanical Life: 3,000 Cycles
 6.Operating Temperature range $-20^{\circ} \sim +70^{\circ} \text{C}$
 7.Ambient Humidity used: $\leq 85\% \text{RH}$



凸柄(P)

短柄(S)

凸柄(P)	ES-01KP
短柄(S)	ES-01KS

④	Terminal	—	—	Phosphor bronze	Au Plating	—
③	Base	—	1	PBT	Black	—
②	Cover	—	1	PBT	Black	—
①	Keystoke	—	—	PBT	White	—
ITEM	PART NAME	TER'NO.	QTY.	MATERIAL	FINISHING	REMARK

APPROVALS		DATE		 ELECTRONICS CO.,LTD		
DRAWN	Coco.li	2014/02/13				
CHECKED				PART NO.	ES-□□□□	
APPROVALS				TOLERANCES ARE	30~以上 ±0.30 10~30 ±0.20 5~10 ±0.15 ~ 5 ±0.10	ANGLE ±2'
ECN NO.	REV.	DATE.	DESCRIPTION.	CHANGE.	CHECK.	APPRO.

ECN NO.	REV.	DATE.	DESCRIPTION.	CHANGE.	CHECK.	APPRO.
---------	------	-------	--------------	---------	--------	--------