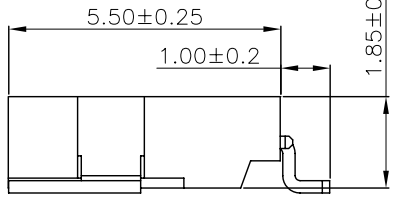
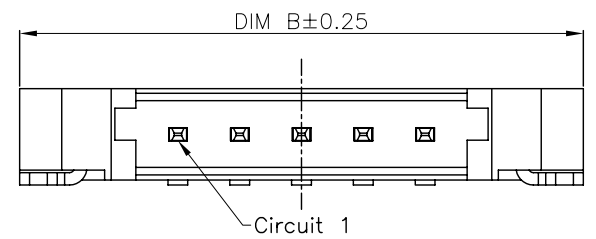
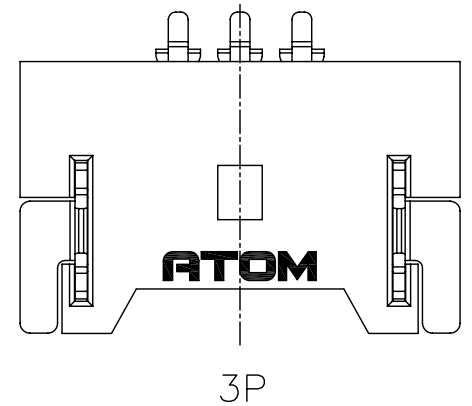
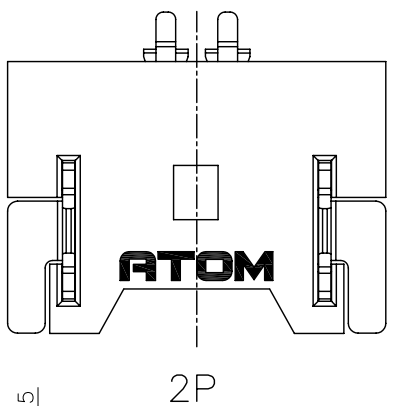
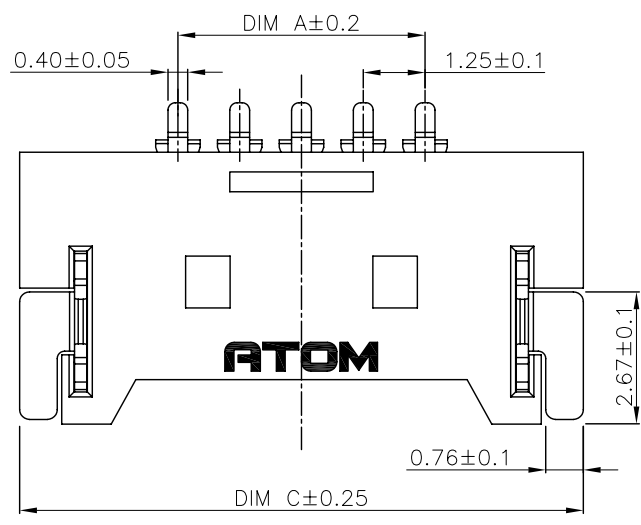
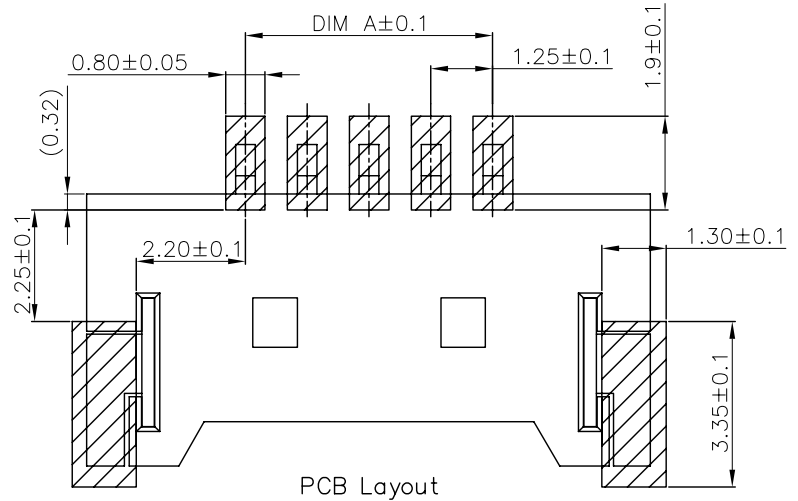


REV	DATE	ECN NO.	MODIFICATION	APPROVER
A	2010/12/06		NEW	HYQ



**SPECIFICATION**  
**1. Material:**  
 Housing: Thermoplastic, UL94V-0, color: Natural .  
 Terminal: copper alloy.  
 Solder\_Tab: copper alloy.  
 Gold plated over nickel plated  
 Solder tab: copper alloy.  
 Gold plated over nickel plated  
**2. Electrical Characteristics:**  
 Voltage rating: 125V.  
 Current rating : 1.0A.  
 Operating Temperature: -25°C~+85°C.  
 Insulation resistance: 100M ohms min. at 500VDC  
 Dielectric withstanding voltage: 500 VAC/1minute.  
 Contact resistance: 20m ohms max.

Pin No.	DIMENSIONS		
	DIM.A	DIM.B	DIM.C
2P	1.25	7.65	7.65
3P	2.50	8.90	8.90
4P	3.75	10.15	10.15
5P	5.00	11.40	11.40
6P	6.25	12.65	12.65
7P	7.50	13.90	13.90
8P	8.75	15.15	15.15
9P	10.00	16.40	16.40
10P	11.25	17.65	17.65
11P	12.50	18.90	18.90
12P	13.75	20.15	20.15
13P	15.00	21.40	21.40
14P	16.25	22.65	22.65
15P	17.50	23.90	23.90
20P	23.75	30.15	30.15
30P	36.25	42.65	42.65



GENERAL TOLERANCE		UNITS mm	NAME: Wafer	深圳市爱特姆科技有限公司 SHENZHEN ATOM TECHNOLOGY CO., LTD.	
SELECT	✓	MAT'L	PART NO: WF125**-03***	TITLE: 1.25mm Pitch Wafer SMT 卧贴(H=1.85mm)	
DN.			APPD: HYQ	DWG NO. ATOM-A00488	
X.XXX	±0.10 ±0.05 ±0.15	FINISH	CHKD: Jason_Lee	SCALE SHEET REV 1:1 1/1 A	
X.XX	±0.15 ±0.13 ±0.25		Q'TY		DR: Aimee
X.X	±0.20 ±0.25 ±0.5				
X.	±0.30 ±0.38 ±1.00				
ANGLE	±2°				