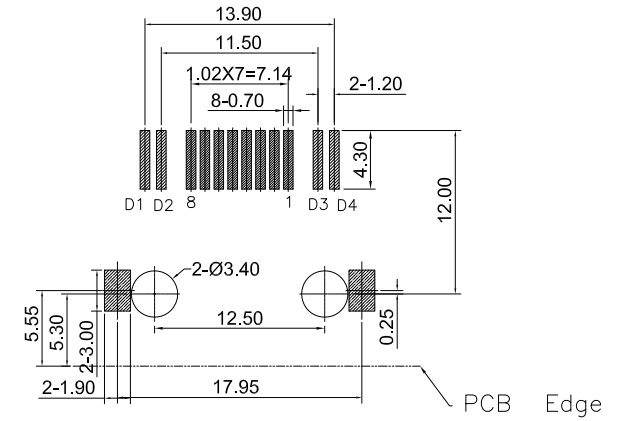
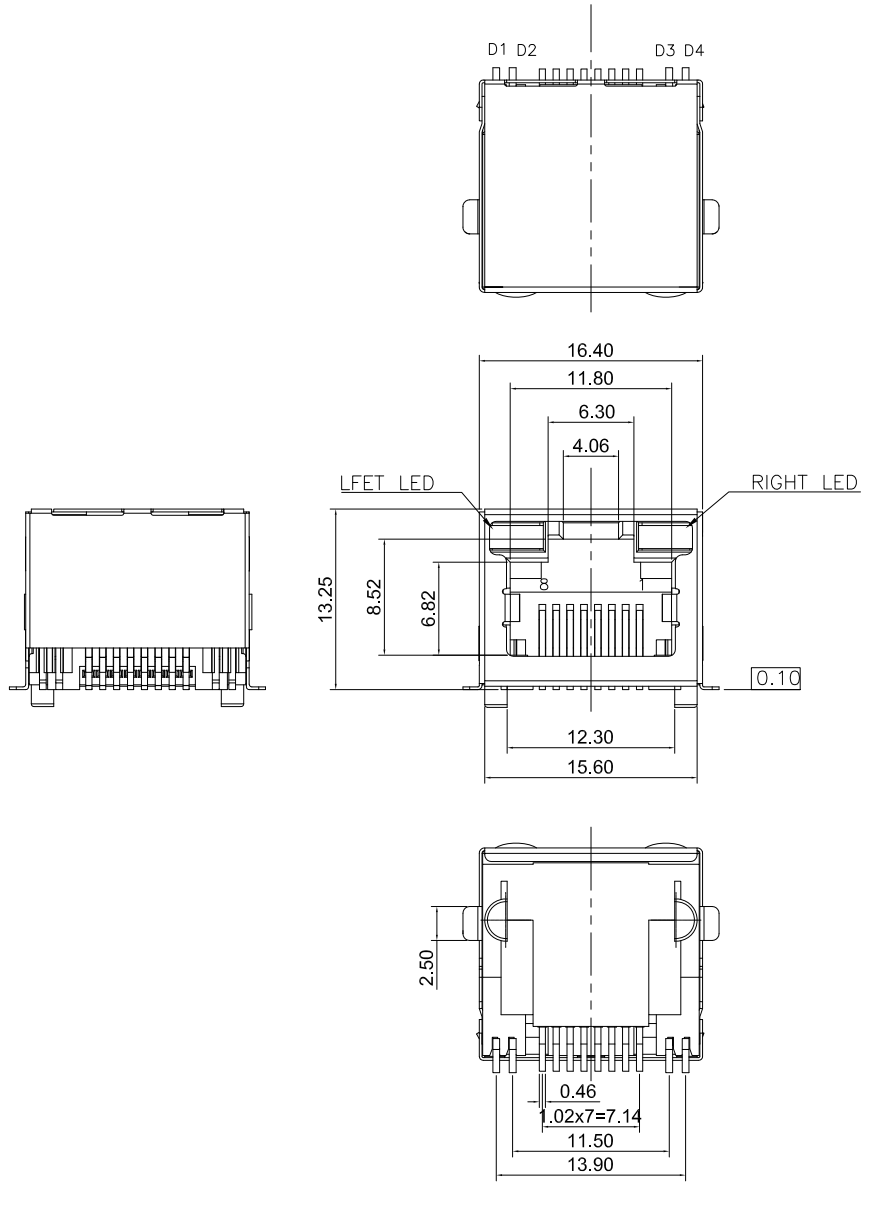
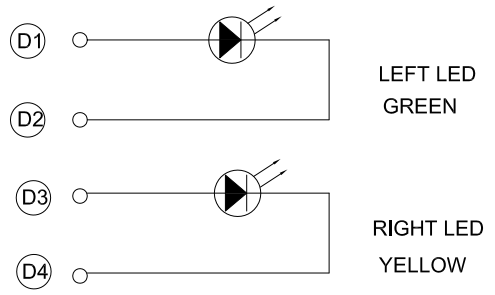


版次REV.	日期 DATE	变更内容 DESCRIPTION	审核CHK.	核准APPD.



- SPECIFICATION NOTES:**
- ELECTRICAL:**
- VOLTAGE RATING: 125 VAC RMS
 - CURRENT RATING: 1.5 AMP
 - CONTACT RESISTANCE: 20mΩ MAX.
 - INSULATION RESISTANCE: 1000MΩ MIN. AT500V DC.
 - DIELECTRIC STRENGTH: 1000 V AC OR 1500V DC RMS AT 0.5mA 50 Hz / 60 Hz FOR 1MINUTE
- MECHANICAL:**
- HOUSING:LCP BLACK, UL 94V-0
 - CONTACT:PHOSPHOR BRONZE T=0.30MM
 - PLATING: FU GOLD PLATING AT CONTACT AREA, MATTE TIN AT TAIL 100U MIN., NICKEL 30U MIN. OVER ALL.
 - SHELL:BRASS T=0.20
 - OPERATING LIFE:750 CYCLES MIN.
 - MATING/UNMATING FORCE: 30N/3.06KGf MAX.
 - RETENTION STRENGTH:50N OR 30N MIN.FOR 60S±5S
- ENVIRONMENTAL:**
- STORAGE:-40°C TO +85°C RELATIVE HUMIDITY<80%
 - GUARANTEE PERIOD:12 MONTHS
 - OPERATION: -40°C TO +85°C
 - MANUAL SOLDERING PARAMETERS:24H IR TEMPERATURE: 255±5°C 5~10 SECONDS.



一般公差 GENERAL TOLERANCE		绘图 DR.
X.X ±0.35	X' ±5'	
X.XX ±0.25	X.X' ±2'	审核 CHK.
X.XXX ±0.15	X.XX' ±1'	核准 APPD.
单位 UNIT		
mm		

东莞市创端电子有限公司
DONGGUAN CHUANGDUANG ELECTRONICS CO., LTD

创端 创兆 创舜 创宝通

品名 TITLE
5JA SMT 带灯无弹 左绿右黄 Flash Gold

图号 DRAWING NO. CBTRJM-111G3D1-0000		
文件编号 NUMBER SLC-847-A		
比例 SCALE 1:1	SHEET 1/1	版次 REV. A